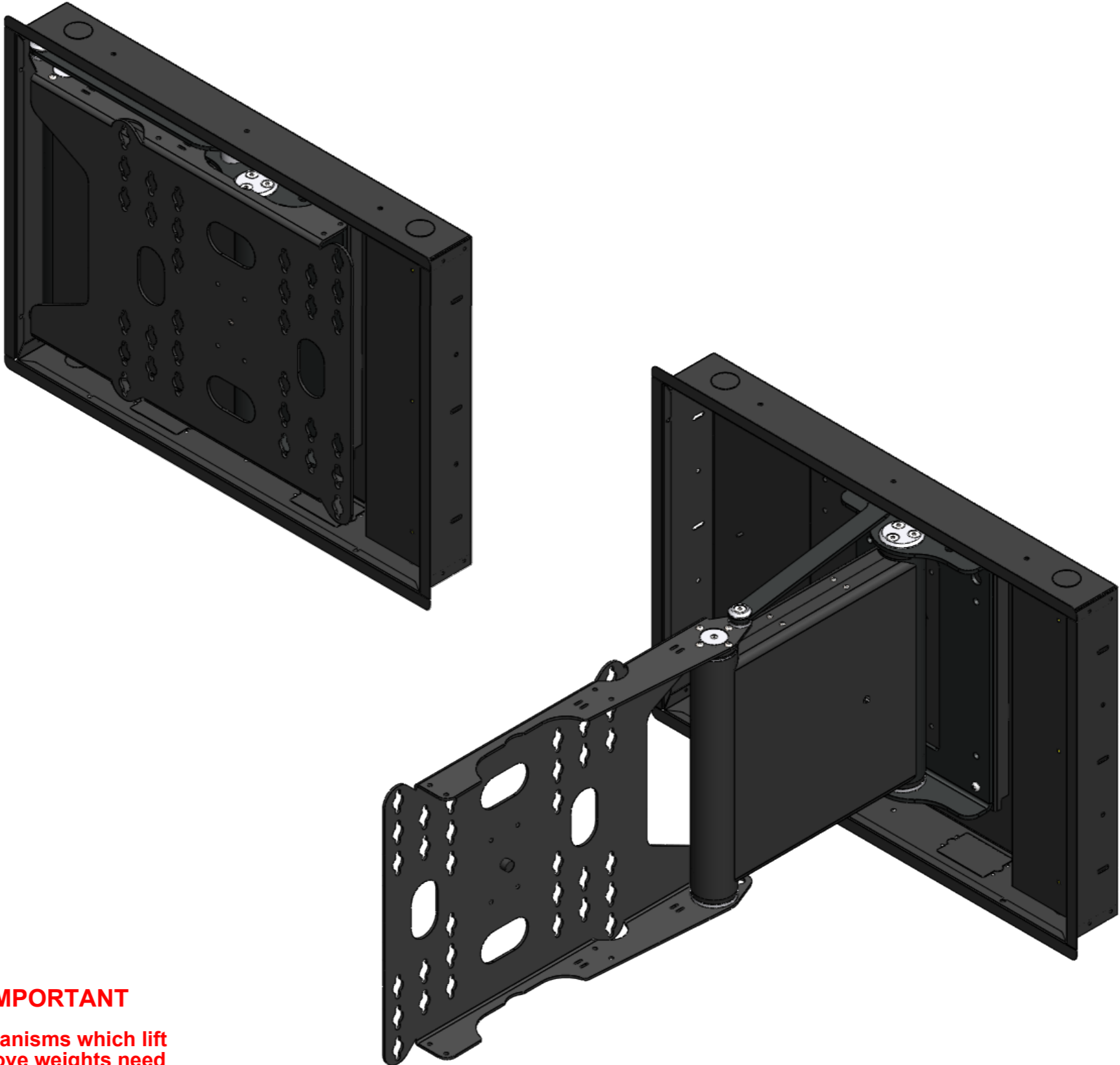




DESIGN HIGHLIGHTS

- Stylish look and finish
- Outer trim panel for neat finish
- Cable and junction box knockout holes
- Integrated cable management
- Quiet smooth action with variable speed motion



FUNCTION

A wall box for mounting the PSE90 Mount in a recess to allow for an ultra slim installation

SUITABILITY

The WB PSE90 is suitable for installation in 16"stud walls

The PSE90 mount is suitable for screens with VESA 400, 300 & 200 mount pattern.

The PSE90 mount is suitable for screens from 37" up to 65" with a max weight of 60kg.

SPECIFYING

Check wall makeup to decide on fixings to be used.

Check viewing angles and position for feasibility.

Check screen details for mounting possibilities.

CONTROL

PSE90 is supplied with basic infrared remote. Can be learnt by many learning remotes.

Also has switch control and RS232 so can be operated by relays, switches, Crestron / AMX or Lutron systems.

WARNING

It is the responsibility of the installer to warn all potential end users of the dangers of interfering with mechanisms during operation

IMPORTANT

Mechanisms which lift or move weights need to be checked on a yearly basis for any damage which may result in an accident



PSE90 Design Highlights

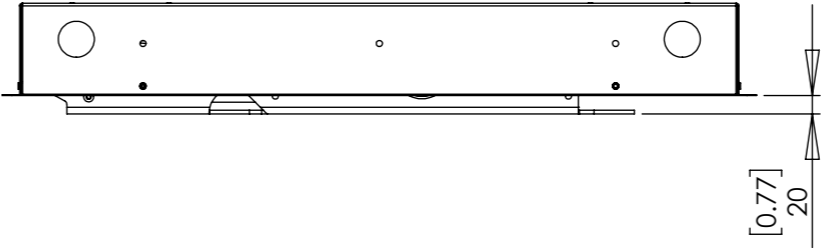
Sophisticated electronics allow for a favourite viewing position to be programmed via the IR remote control.

All the power and signal cables for screen and mechanism can be concealed within the bracket.

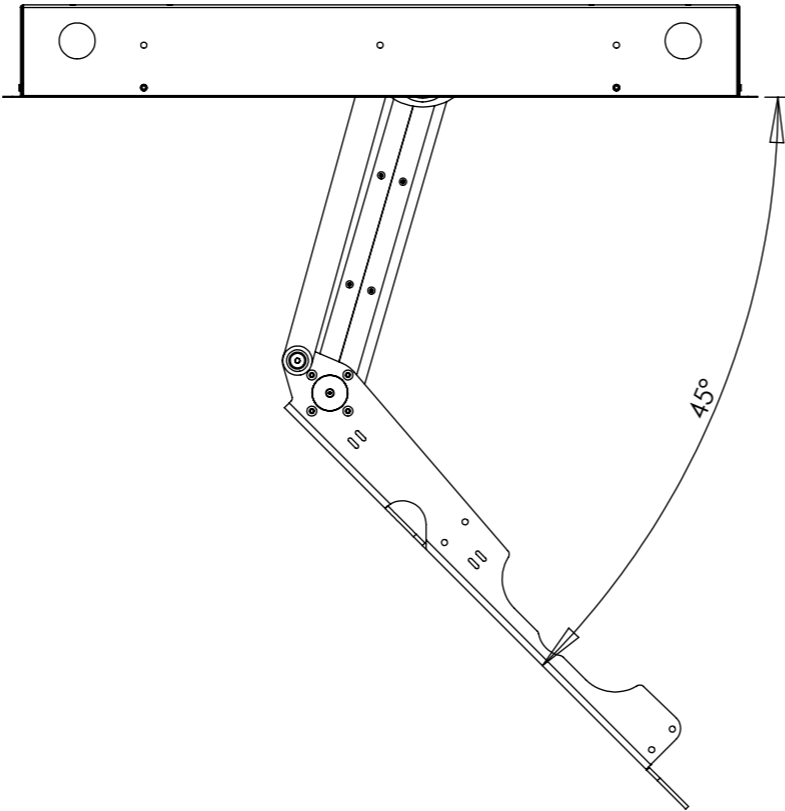
Mechanism can be reversed from a left to a right - handed or from a right to a left - handed bracket simply and quickly during the installation process. Except B&O 7.40 & 7.55 screen mounts

Super quiet and smooth action from parallel to wall out to 90° maximum movement.

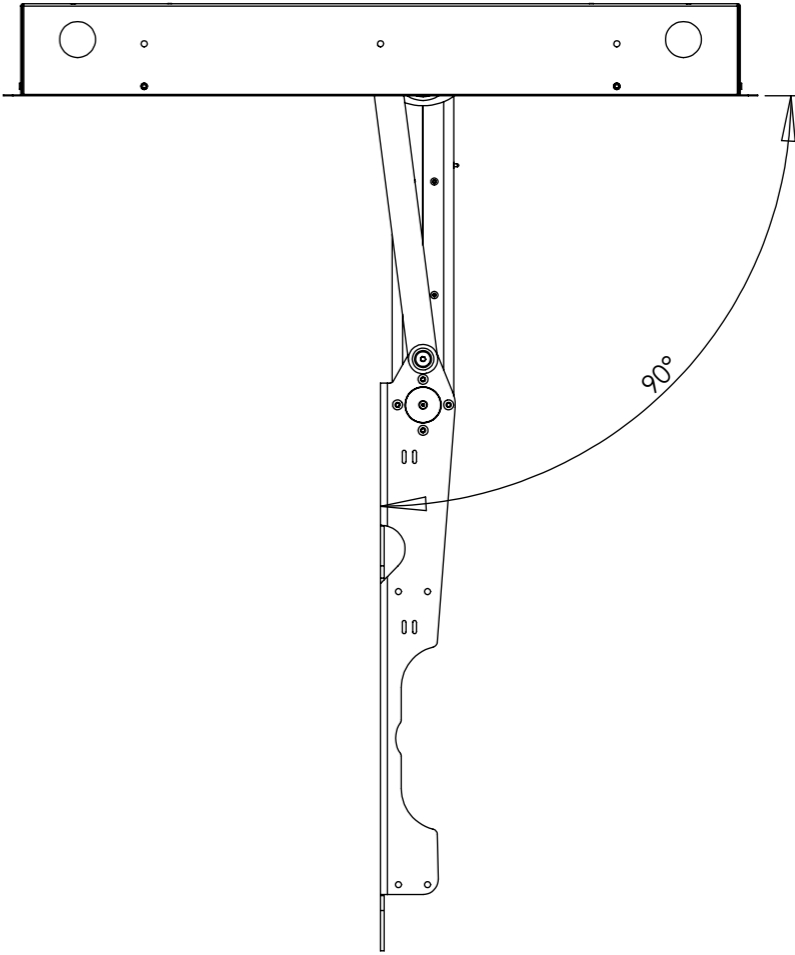
IN POSITION WHEN INSTALLED IN WALL BOX



INTERMEDIATE ANGLE OF 45°



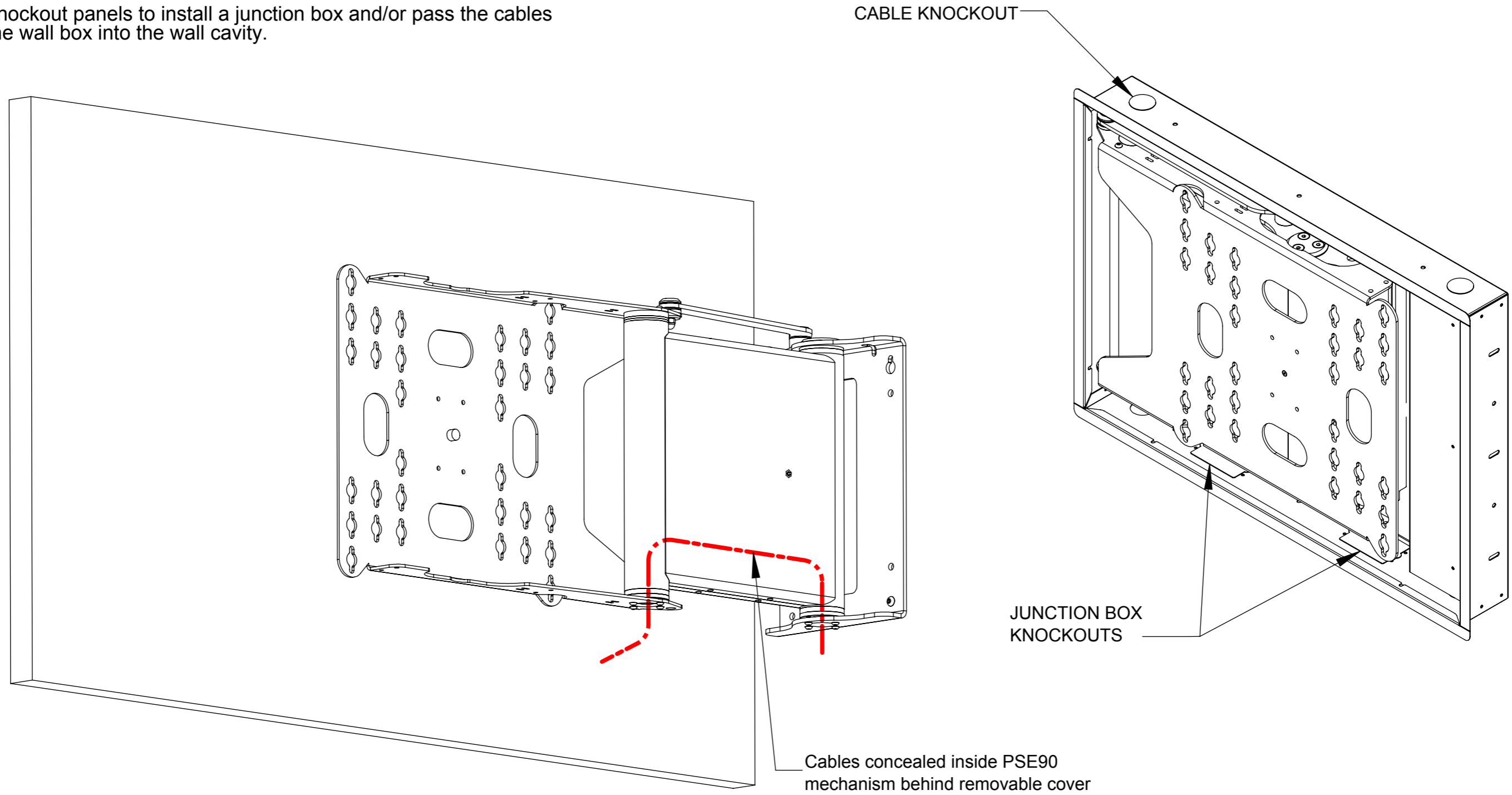
MAXIMUM OUT POSITION 90°



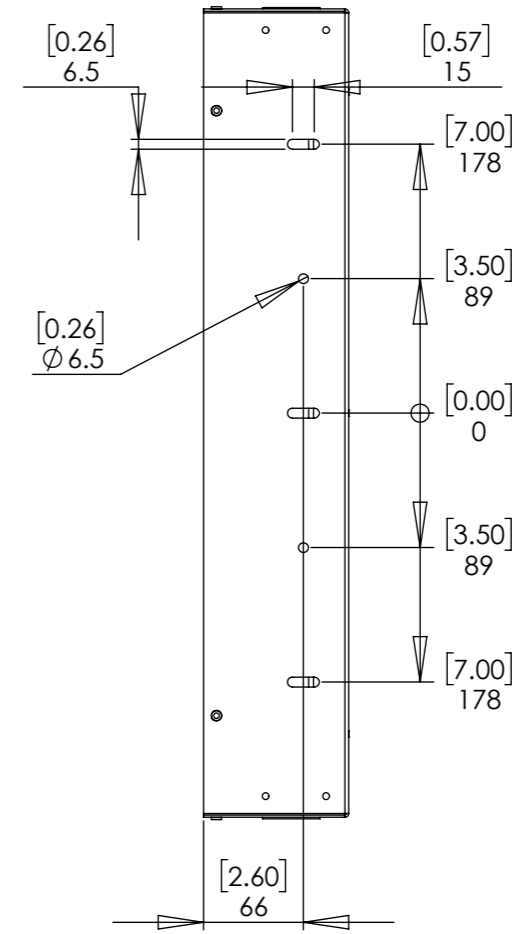
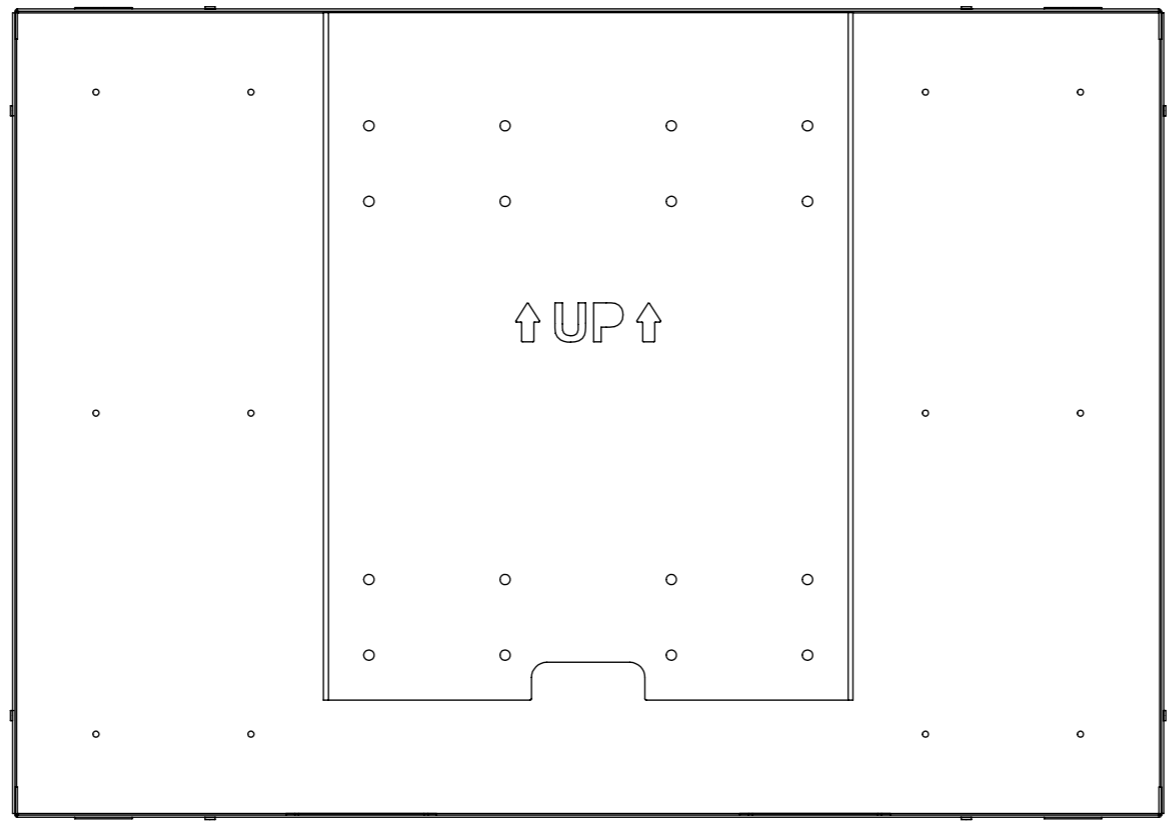
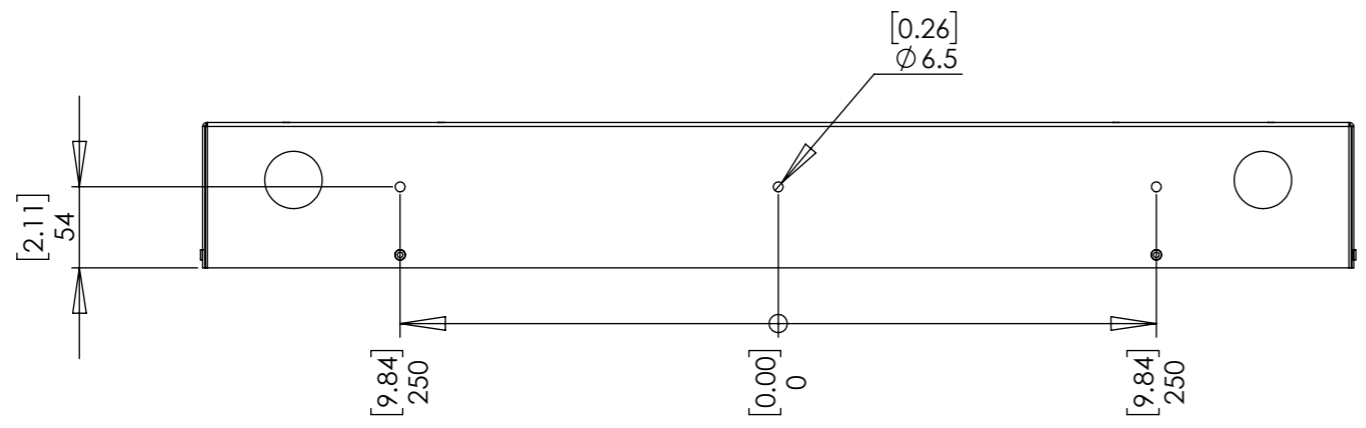
Cable Routing

Using the integrated cable management on the PSE90 mount route the cable as shown ensuring sufficient slack at moving points.

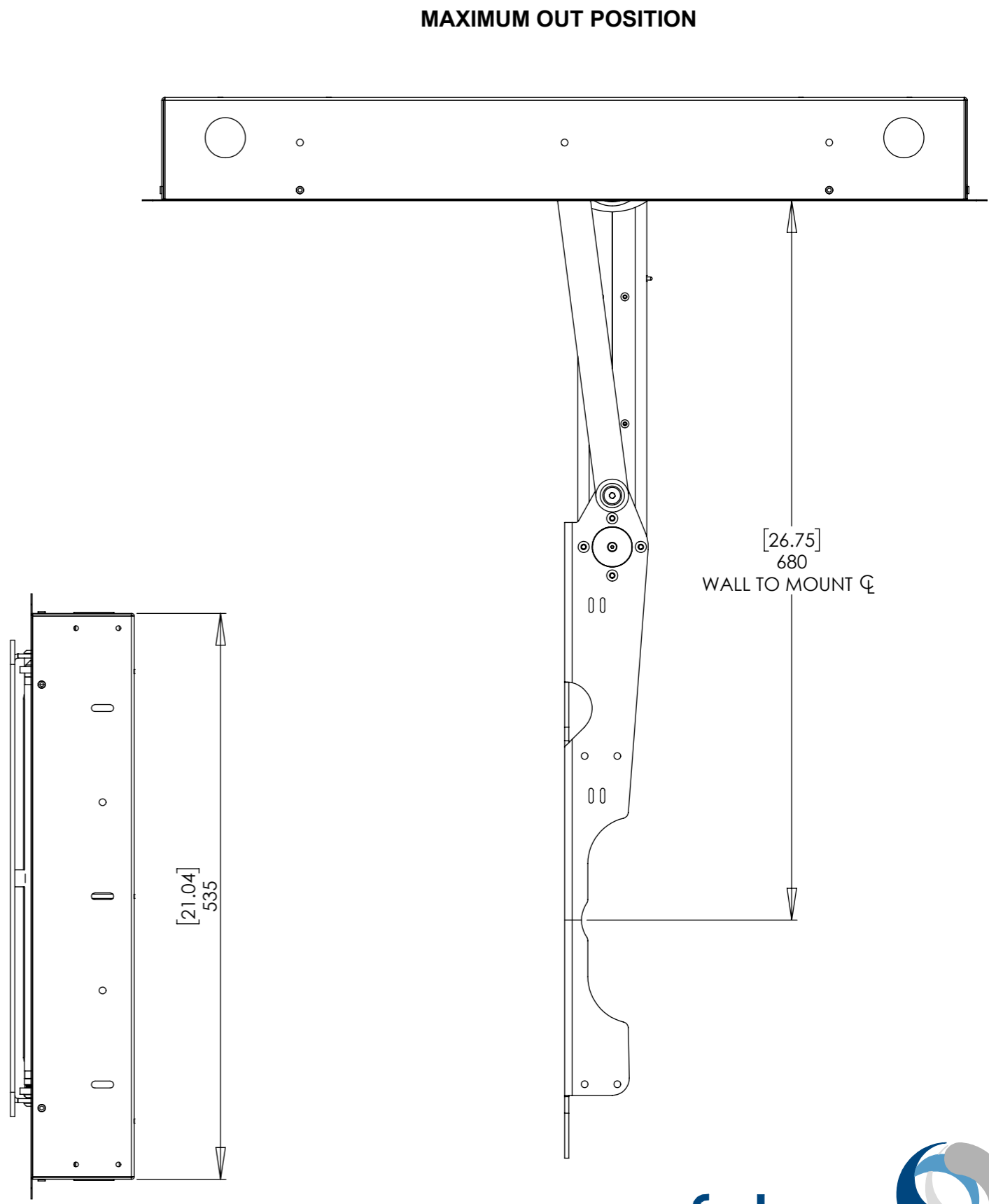
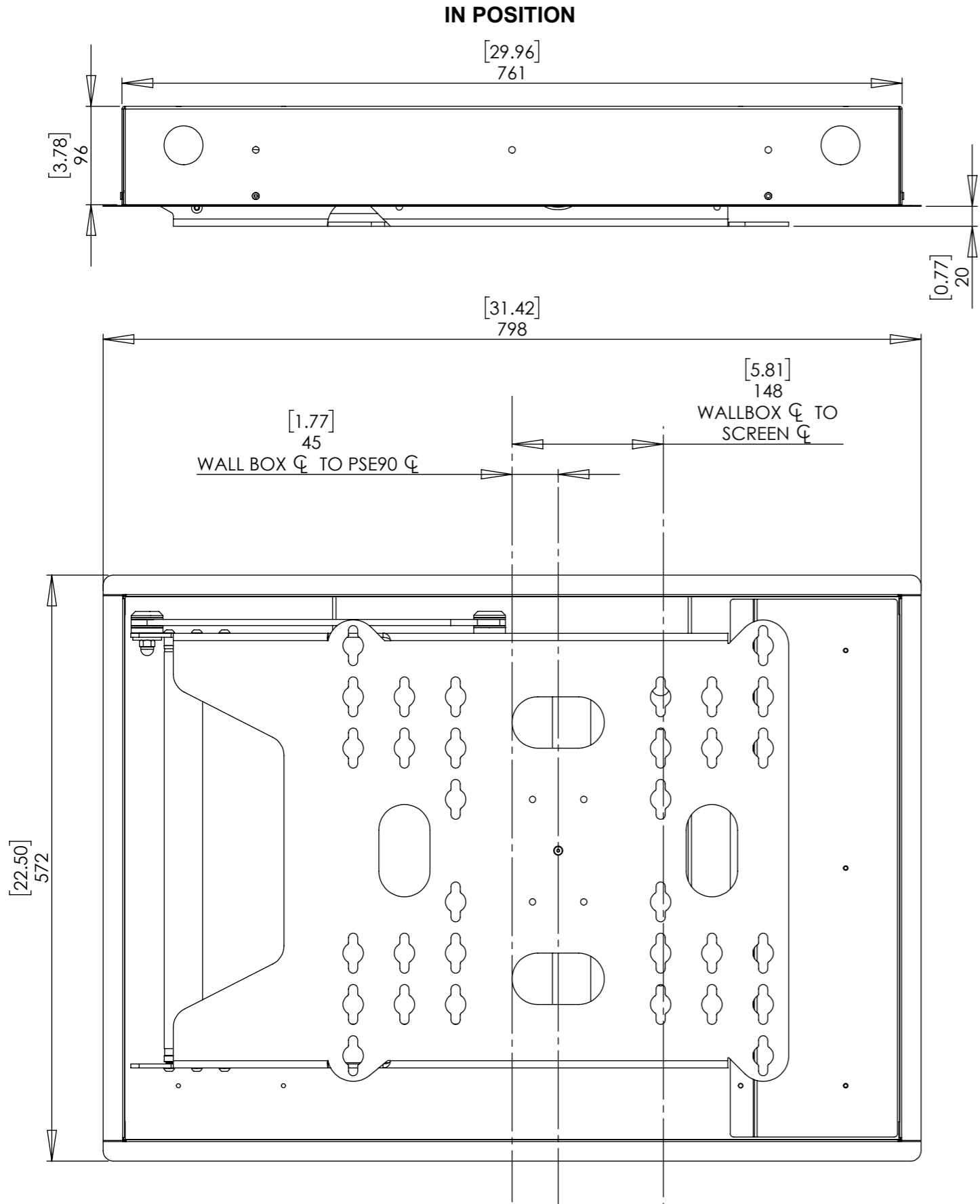
Use the knockout panels to install a junction box and/or pass the cables through the wall box into the wall cavity.

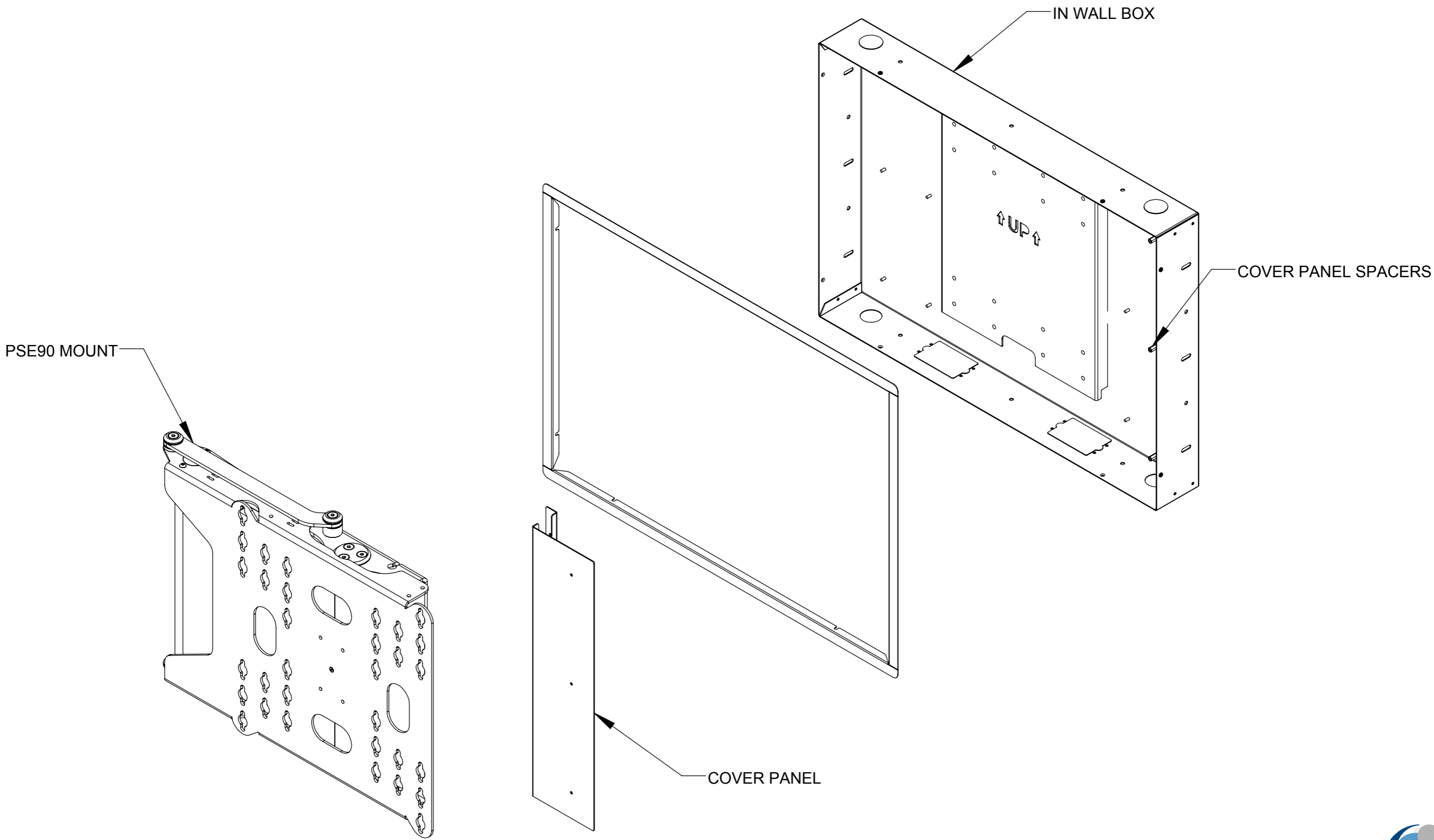


Wall Box Mounting Dimensions



Overall Dimensions





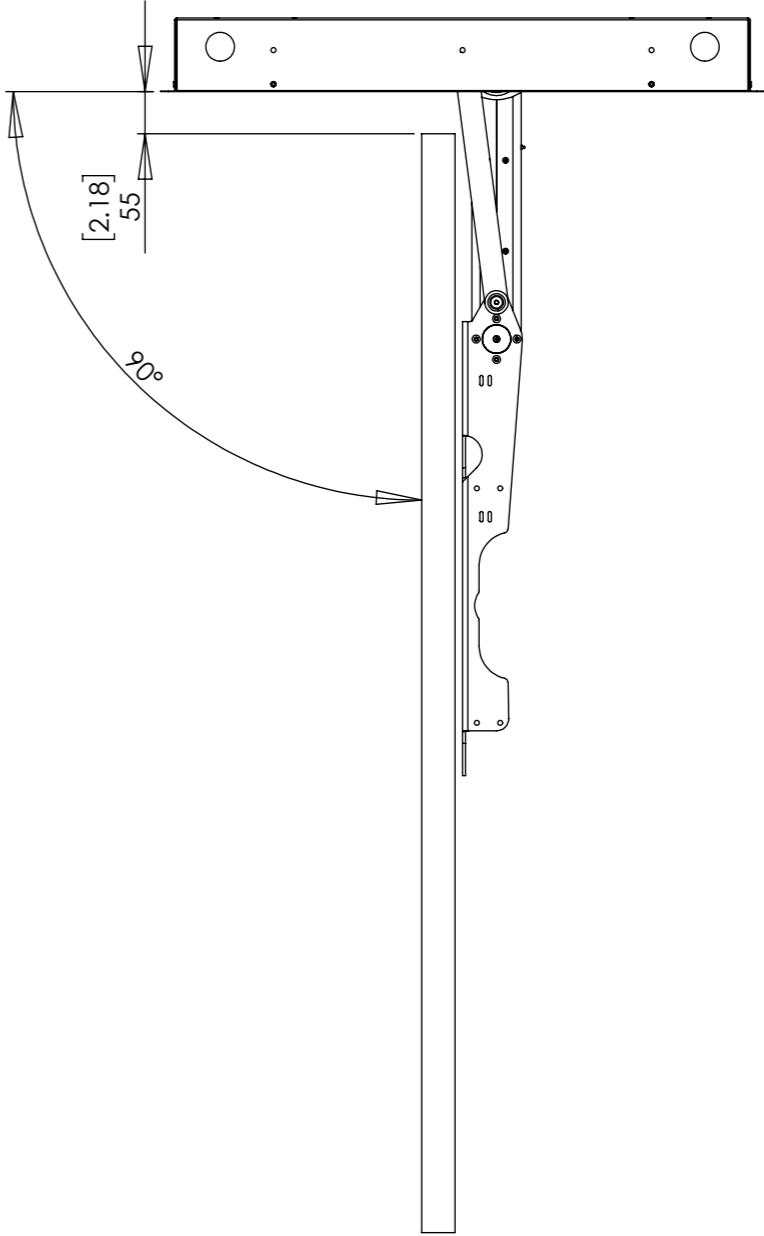
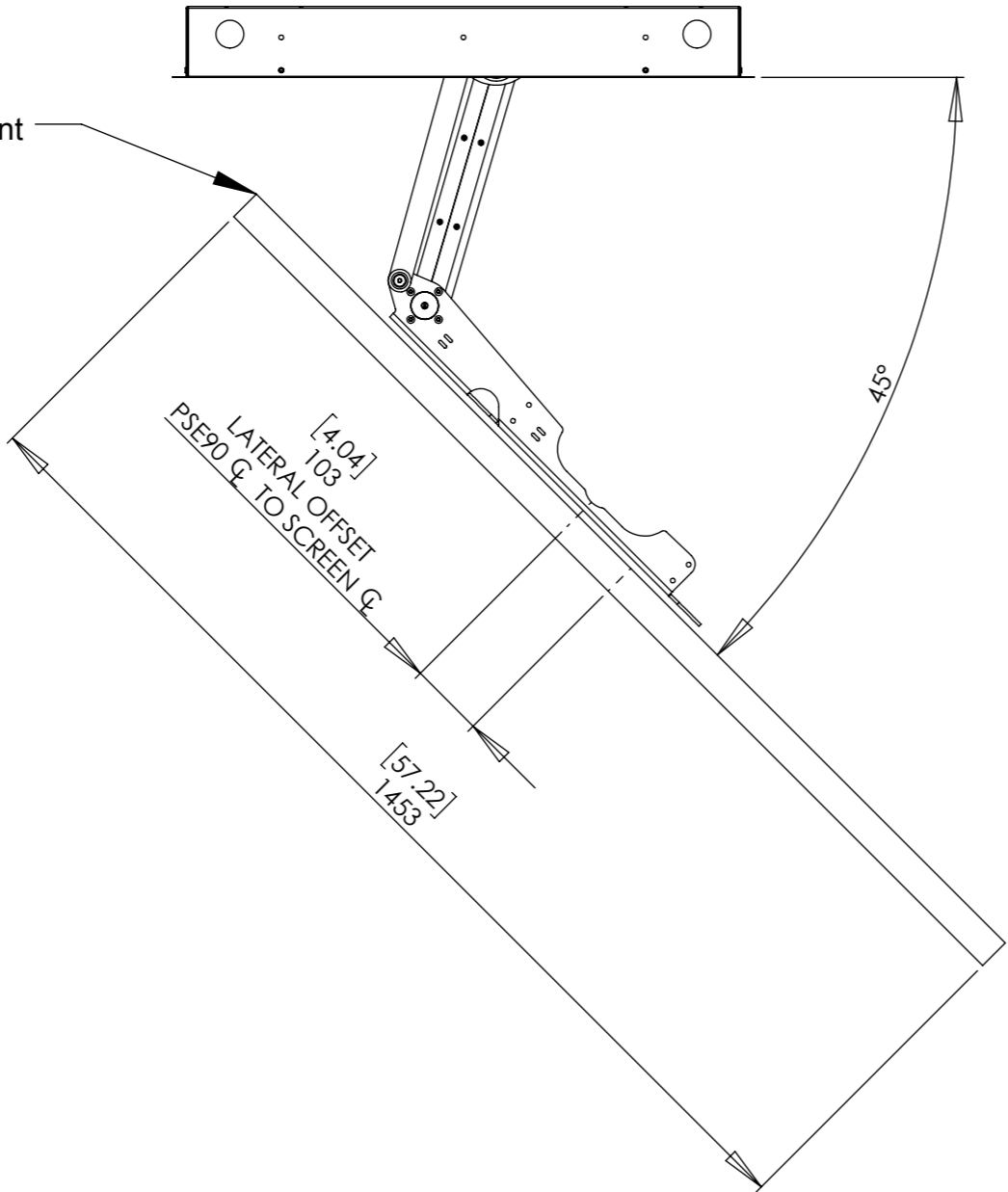
Screen Clearance

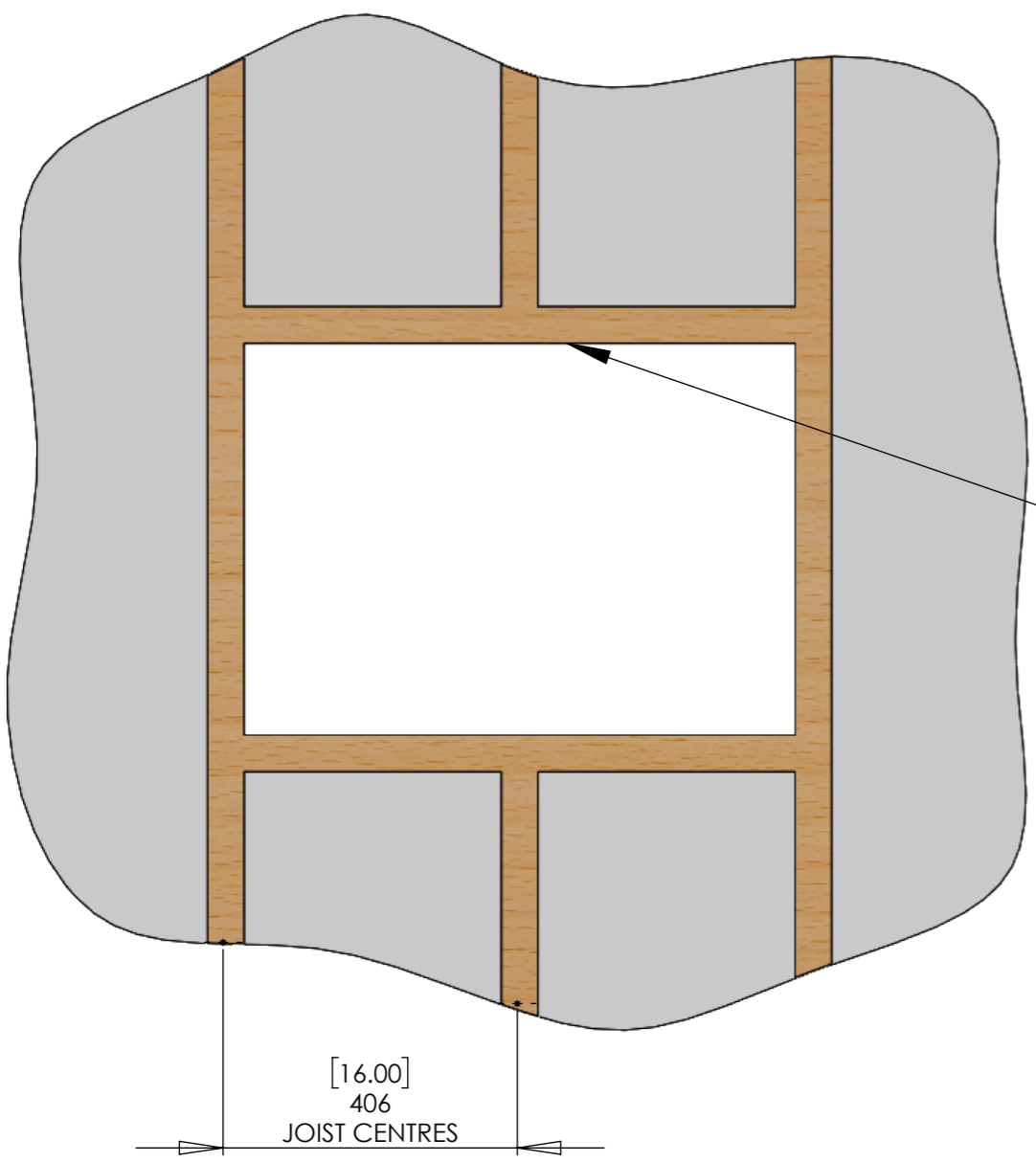
It is important to note that with the PSE90 mount recessed into the wall the screen may need to be offset laterally to give enough clearance when moving to the 'OUT' position.

Generally the maximum lateral offset between the screen centre to the PSE90 centre is 150mm [5.9]. Where necessary adaptor plates are available.

Examples below show a representative 65" screen.

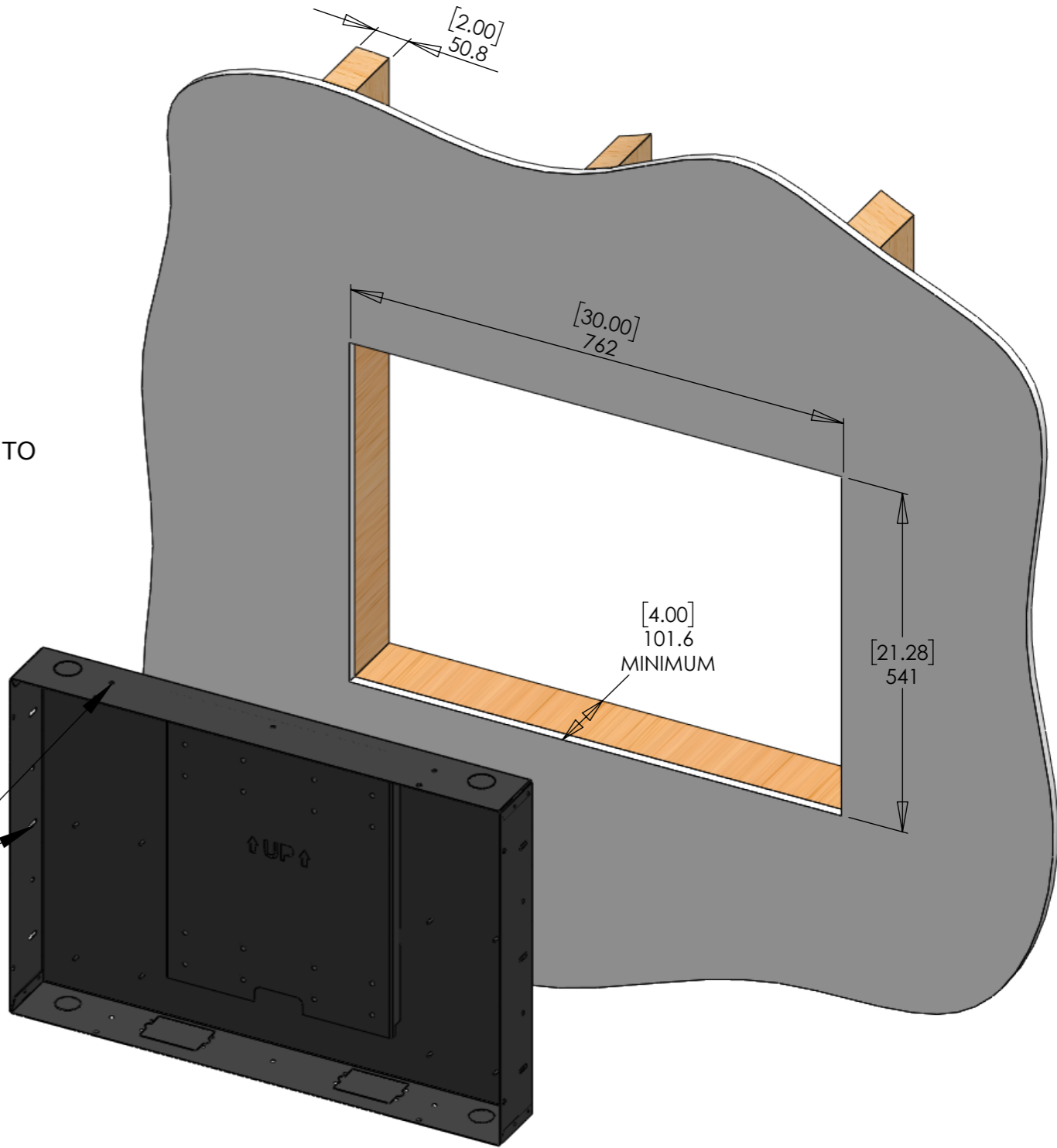
As the screen moves to the 'OUT' position this edge requires sufficient clearance to the wall





HORIZONTAL JOIST
TO SECURE WALLBOX TO

FIXING HOLES



INSERT WALL BOX INTO THE VOID AS SHOWN
AND SECURE THROUGH SIDE FIXING HOLES