

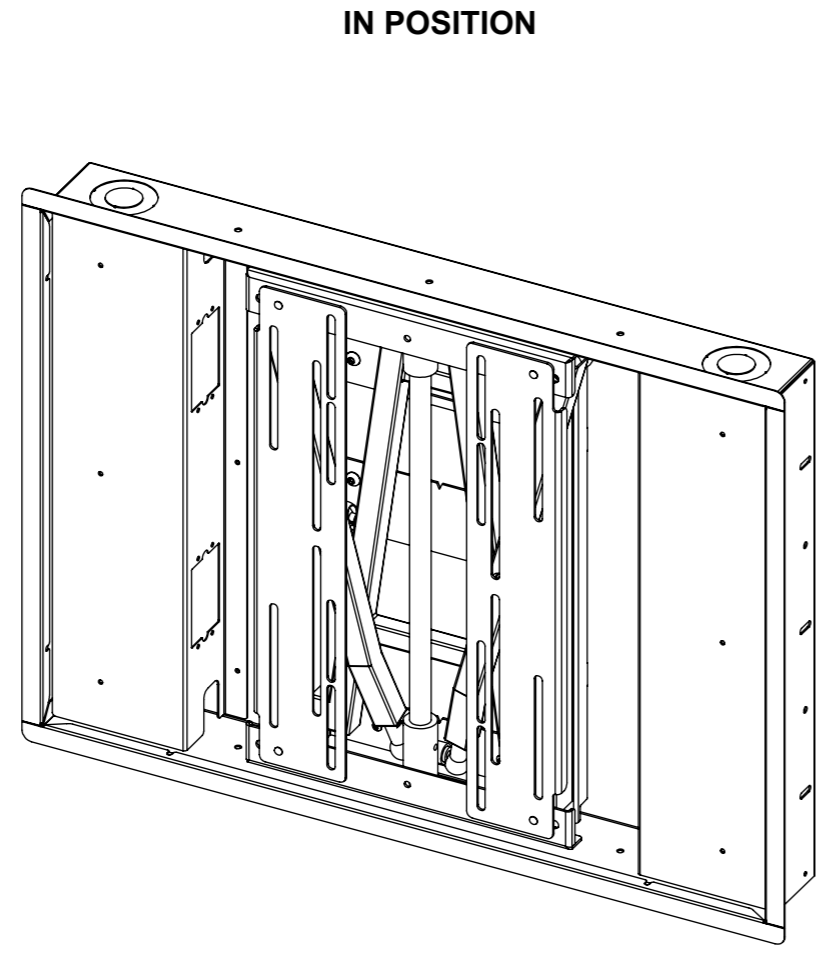


DESIGN HIGHLIGHTS

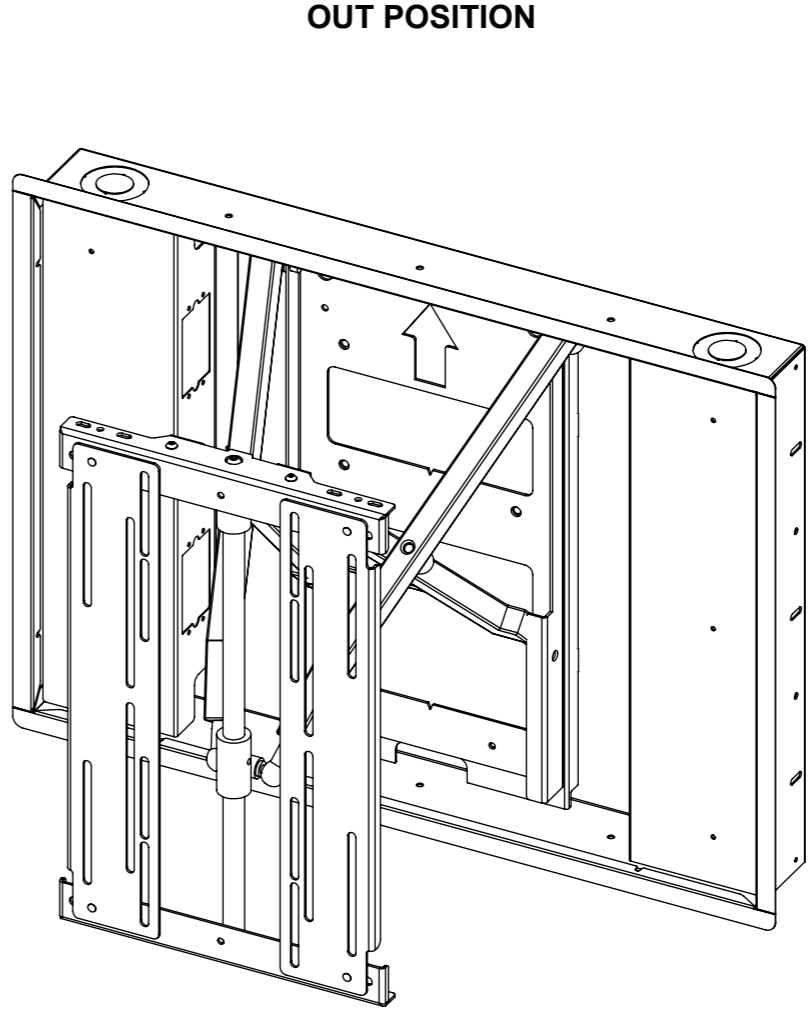
- Effortless, one handed operation; even with heavy screens.
- Bracket allows perfect parallel tracking before screen is rotated.
- Bi-directional swivel motion up to 60°.
- Strong steel construction.
- Wide range of mounting options.
- Excellent service bracket allows for installation in tight recesses.
- Outer trim panel for neat finish
- Cable knock out holes to suit makeup.
- Wing panels to conceal cables, connections and baluns.

OPTIONS

- Bang & Olufsen / Loewe mount options.
- Compatible accessories such as speaker mounts.



IN POSITION



OUT POSITION

FUNCTION

A manual wall bracket that allows simple one handed movement of the screen.

Bracket allows perfect parallel tracking before being rotated in either direction up to 60°.

SUITABILITY

The PS42 wall bracket is suitable for screens from 42" up to 50".

Larger screens can be installed but maximum possible angles or rotation would be reduced.

The larger PS50 wall bracket is suitable for 50" to 65" screens with wall boxes to suit.

The larger PS60 wall bracket is suitable for 65" to 90" screens with wall boxes to suit.

SPECIFYING

Check wall makeup to decide on fixings to be used.

Check screen details for mounting possibilities.

Check angles for viewing.

WARNING

It is the responsibility of the installer to make sure the product is safely secured to the wall

IMPORTANT

Mechanisms which lift or move weights need to be checked on a yearly basis for any damage which may result in an accident



PS42 Design Highlights

Bracket design allows for screen to track parallel to wall before being rotated.

This allows the screen to be mounted within a tight recess if required.

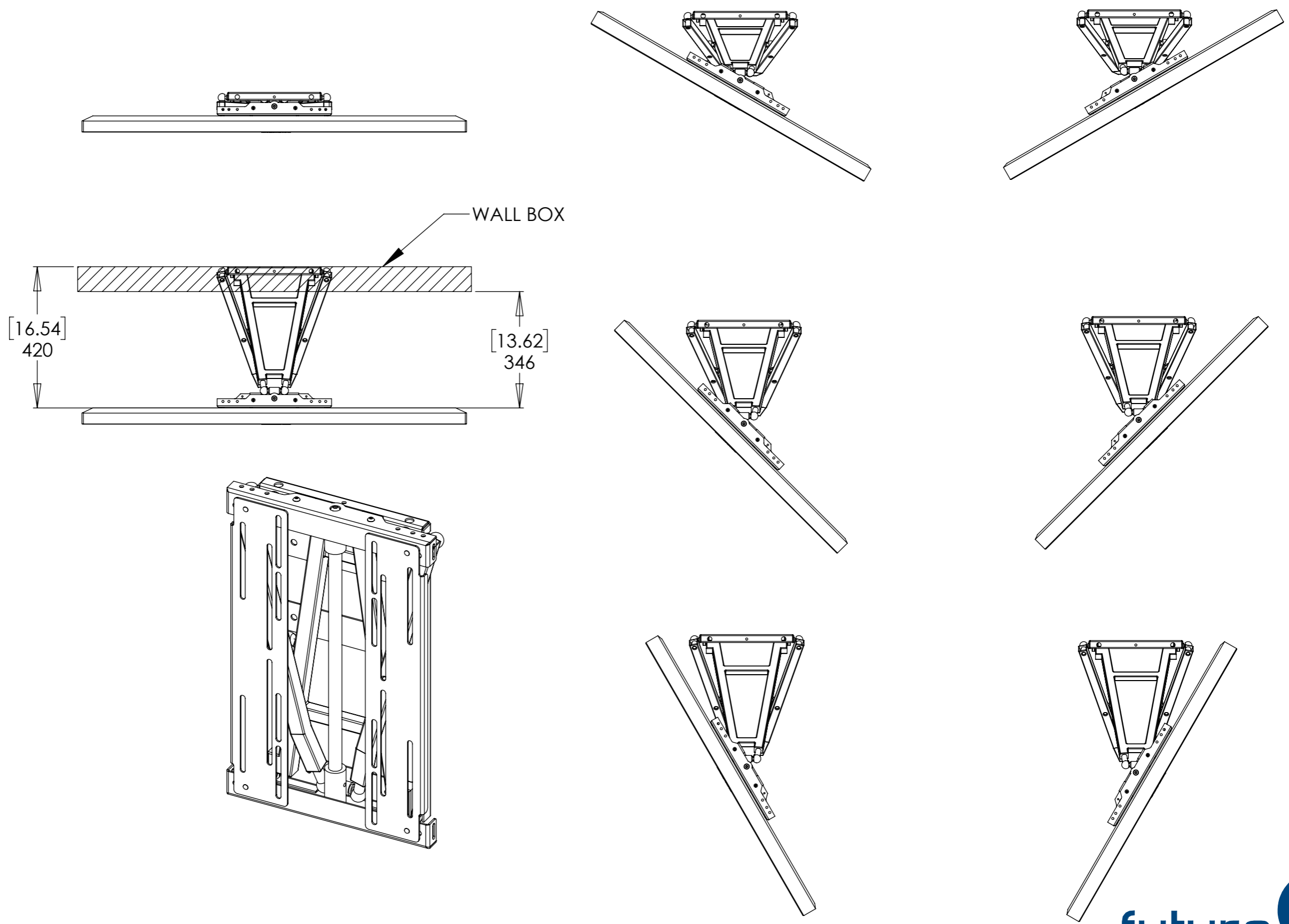
Bracket design means minimal effort is required to move even heavy screen and speaker installations.

Bracket allows for up to 60 degrees of swivel in either direction. This angle is reduced when wider screens or additional side speakers are installed.

Bracket capable of maximum horizontal mounting distances of 400mm [15.7"] and maximum vertical mounting distances of 470mm [18.6"].

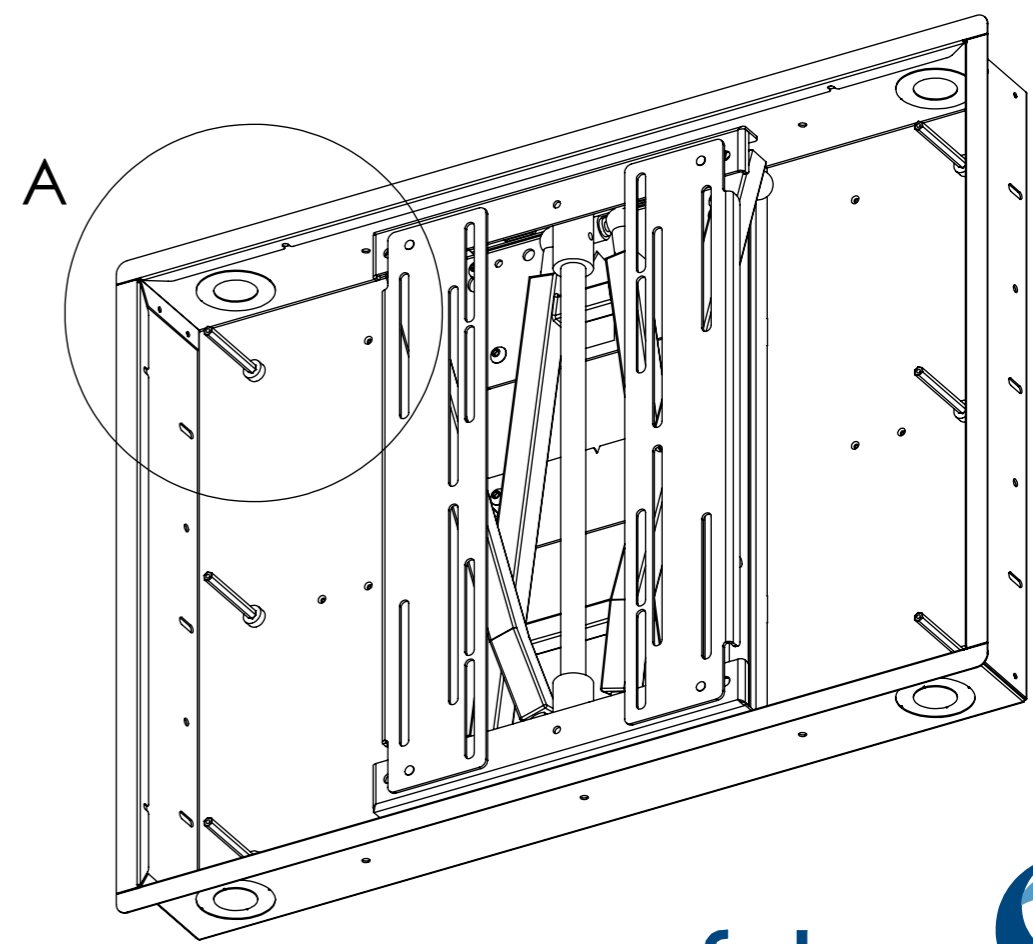
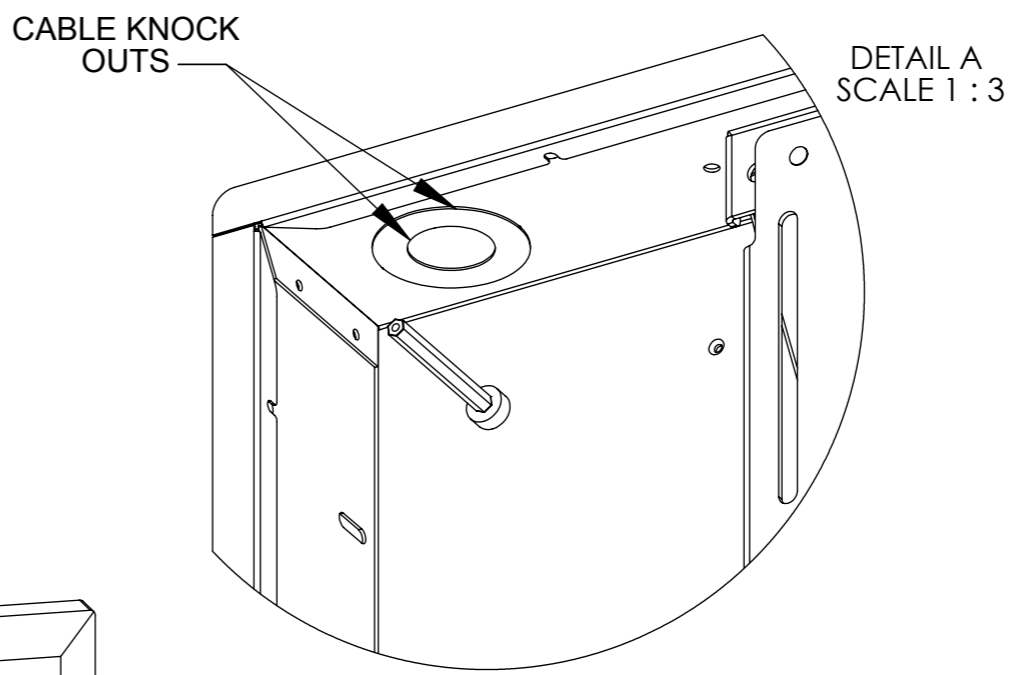
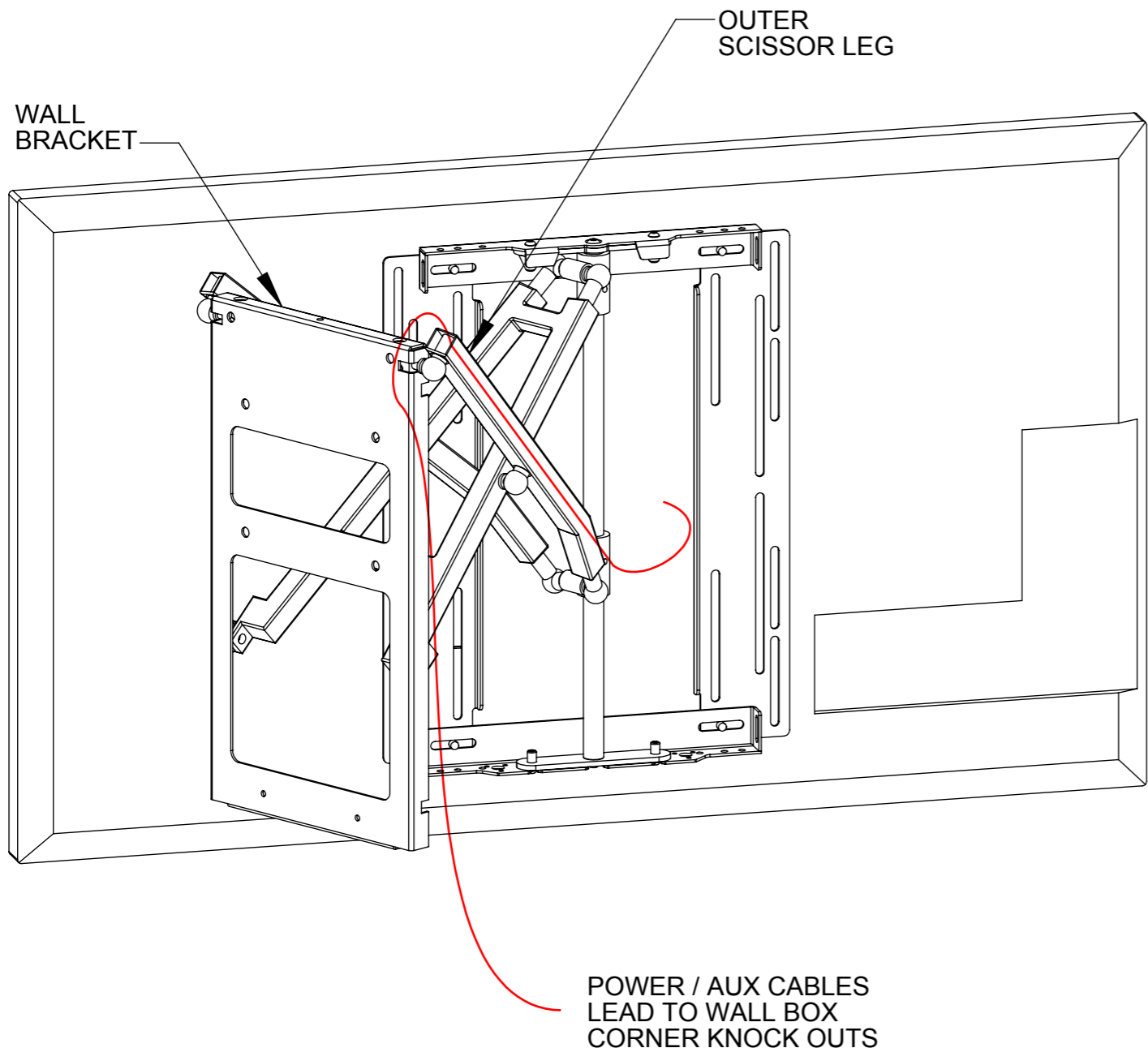
Mechanism allows up to 420mm [16.5"] extension of screen centre from mounting surface.

VIEWS BELOW SHOW MOVEMENT FROM IN POSITION TO MAXIMUM ANGLE OF 60°

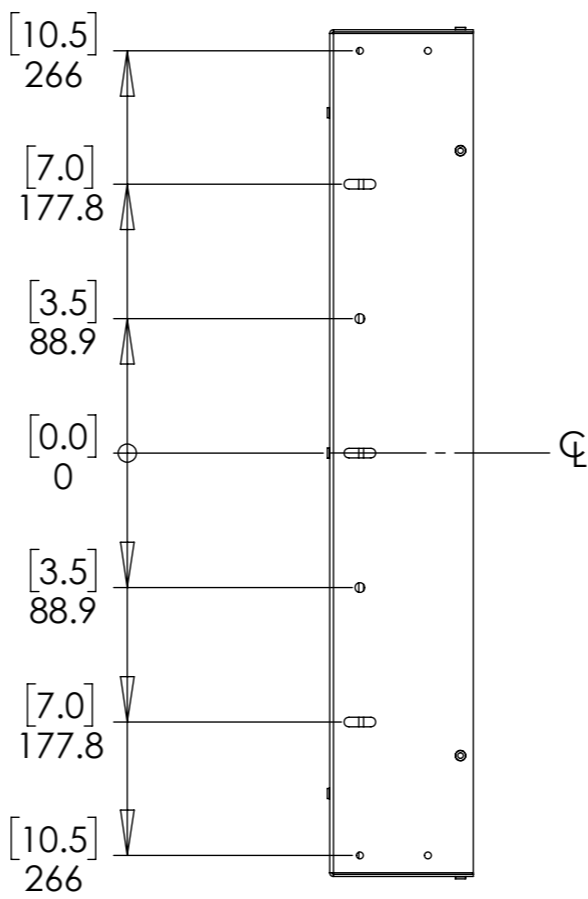
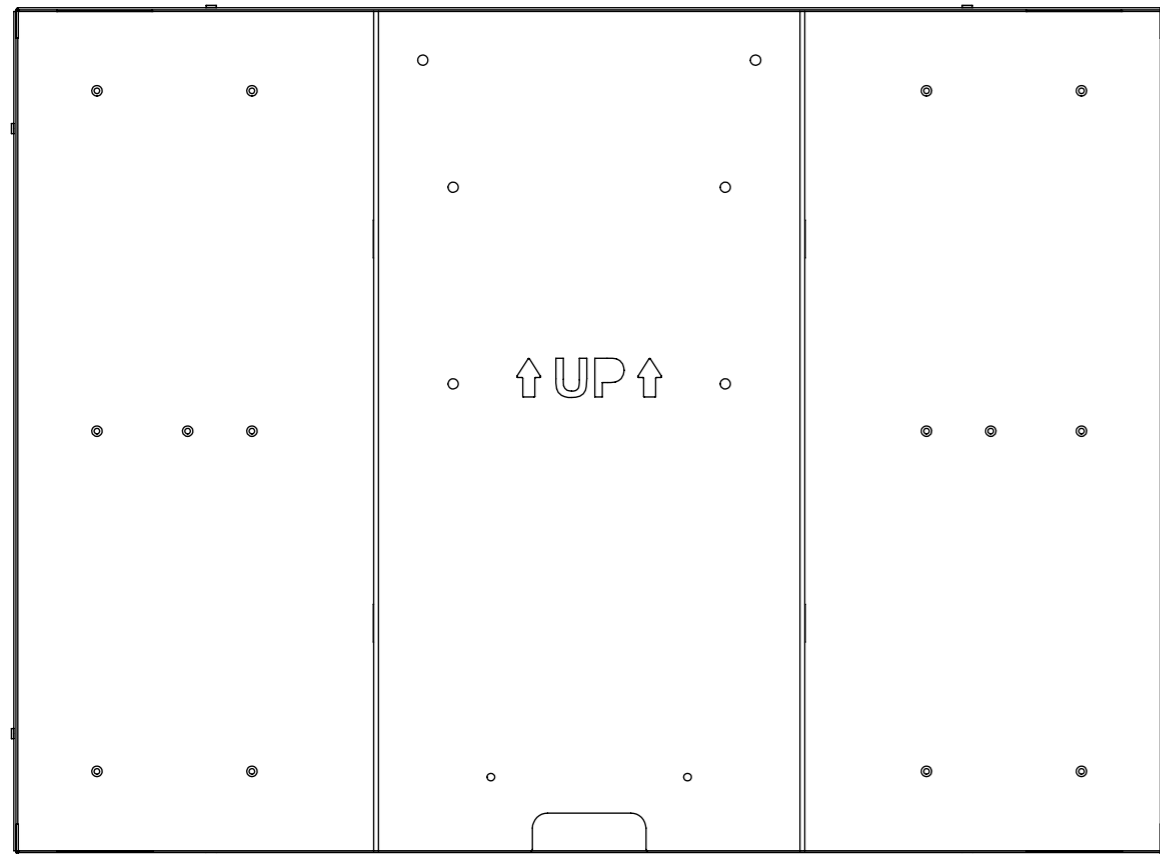
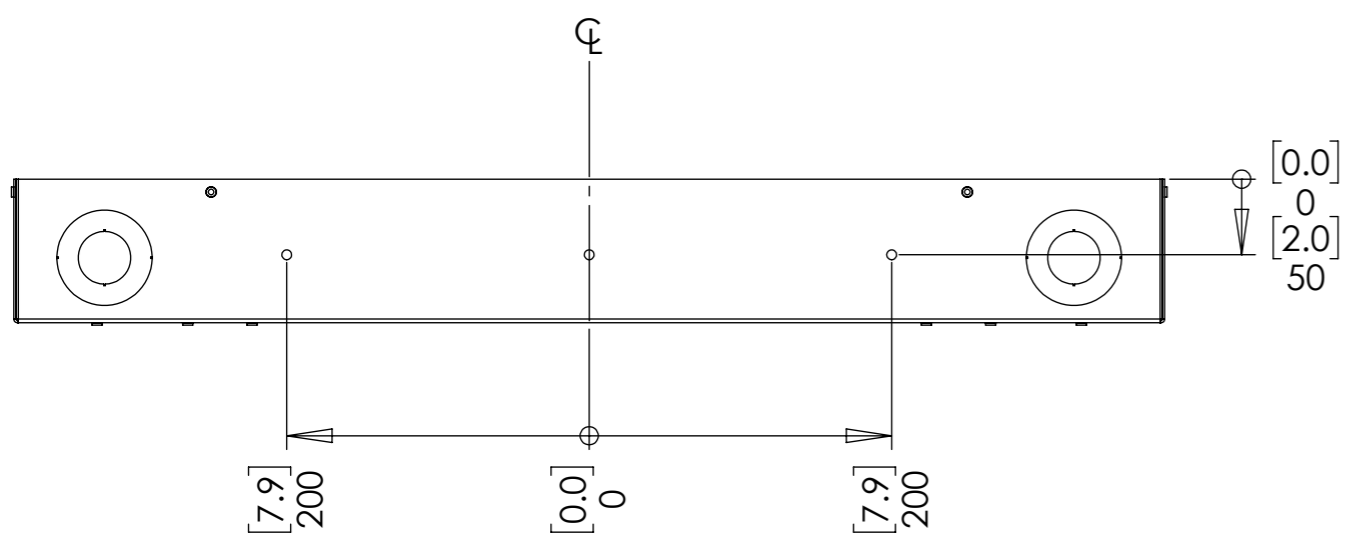


Cable Routing Options

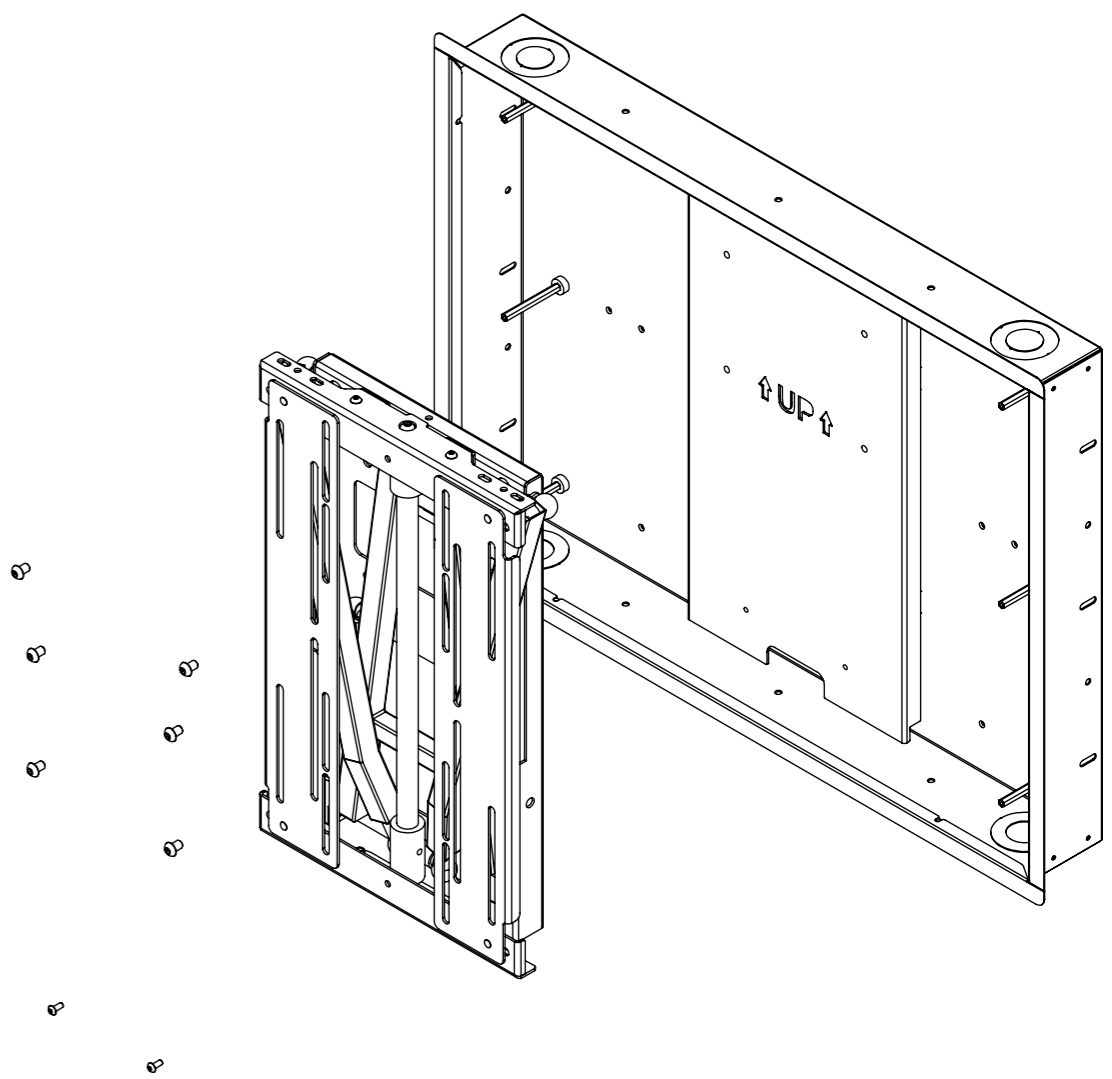
Run the cables up to either top corner of the wall bracket, loop over and run down the out side of the scissor leg as shown with the red line. Secure the cables using cable ties and make sure to allow slack at moving points. Knock out the relevant cable knock outs to pass the cable through the wall box into the wall cavity.



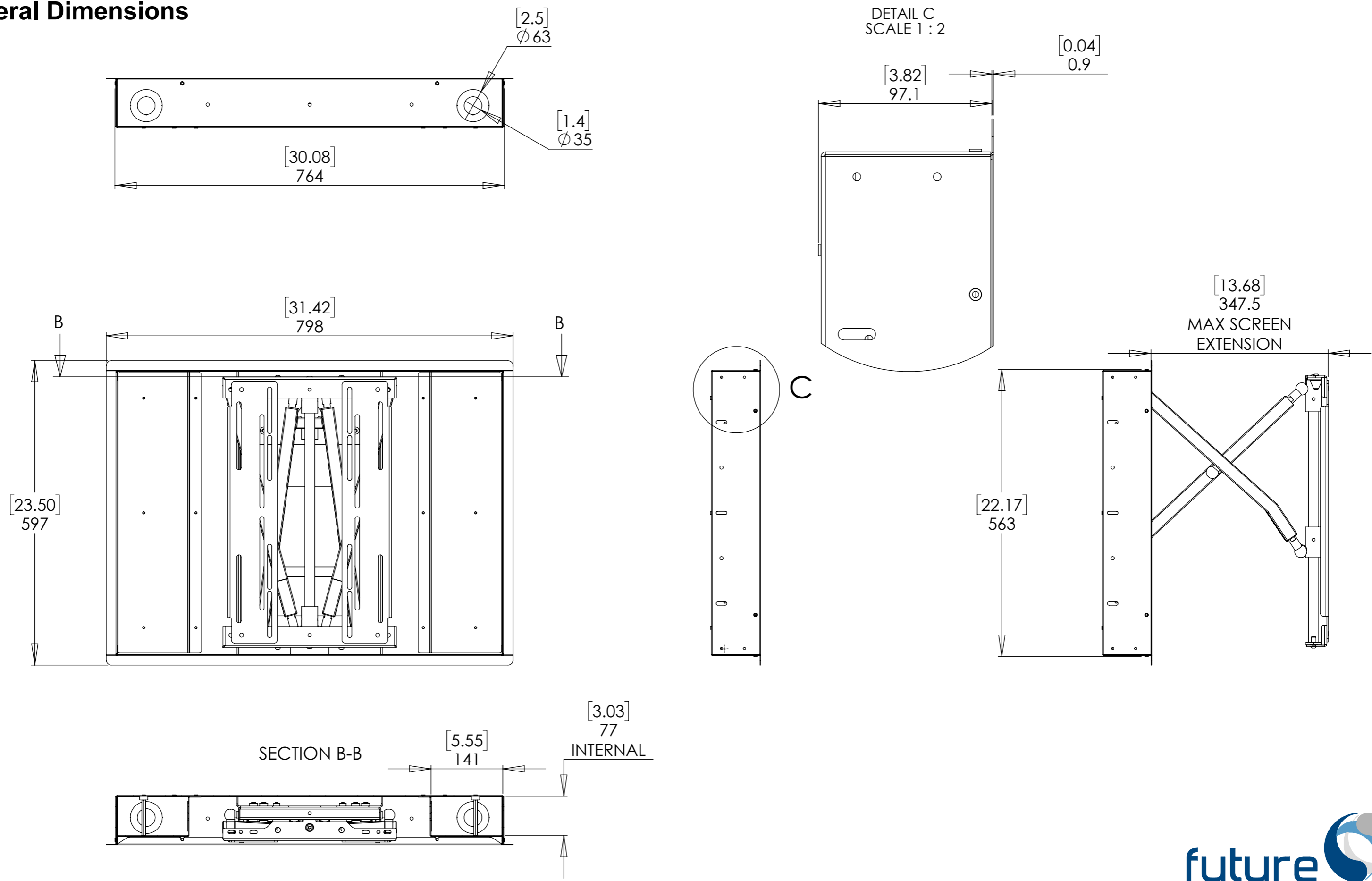
Wall Box Mounting Dimensions



REMOVE THE PS BRACKET FROM THE WALL BOX BY REMOVING THE BOLTS IN THE BACK MOUNT PLATE AS SHOWN, THIS WILL MAKE MOUNTING THE WALL BOX INTO THE WALL MUCH EASIER.

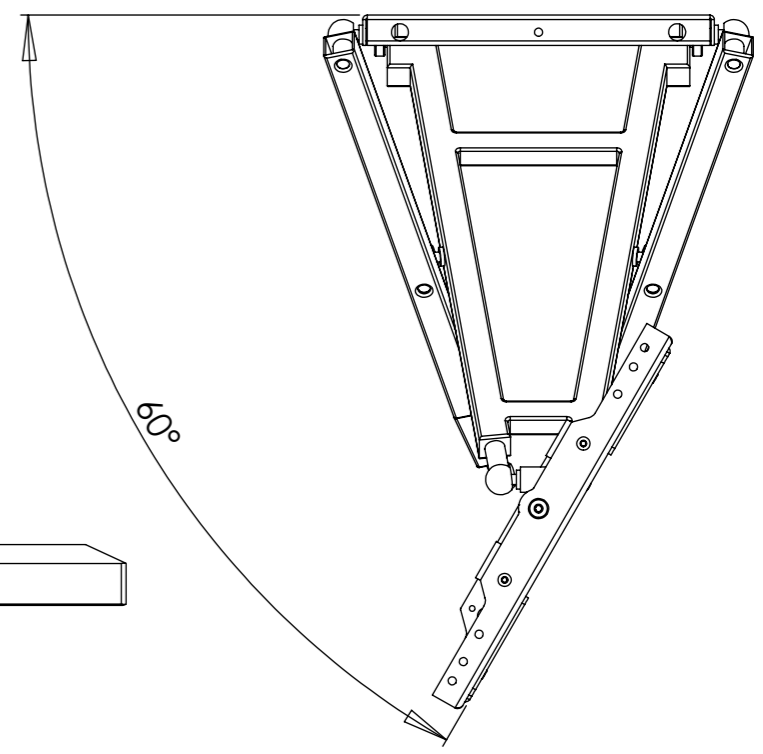
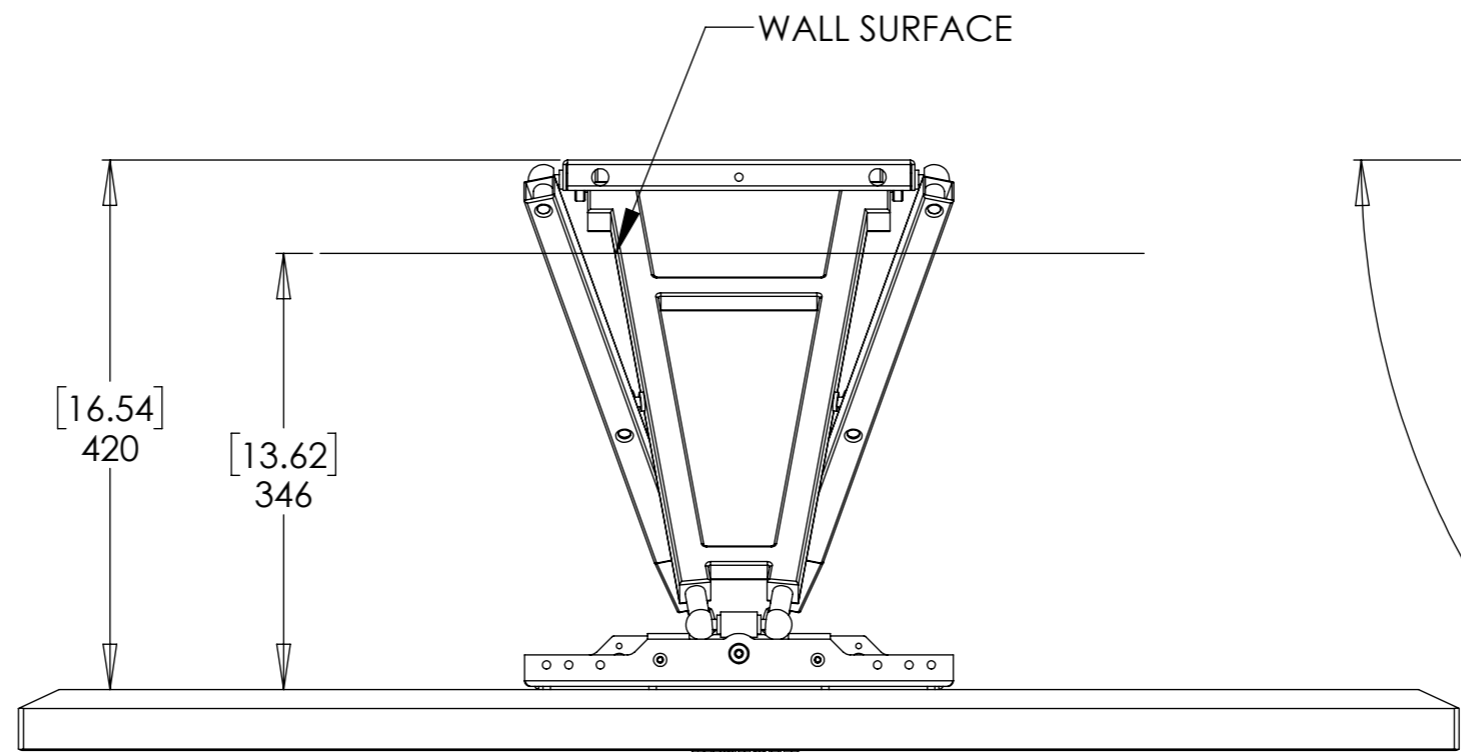
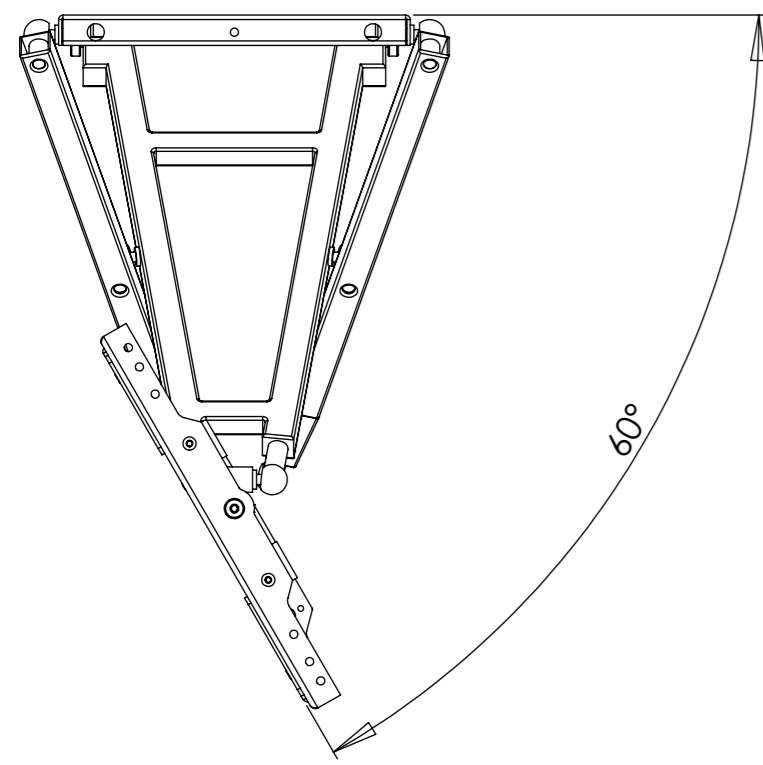
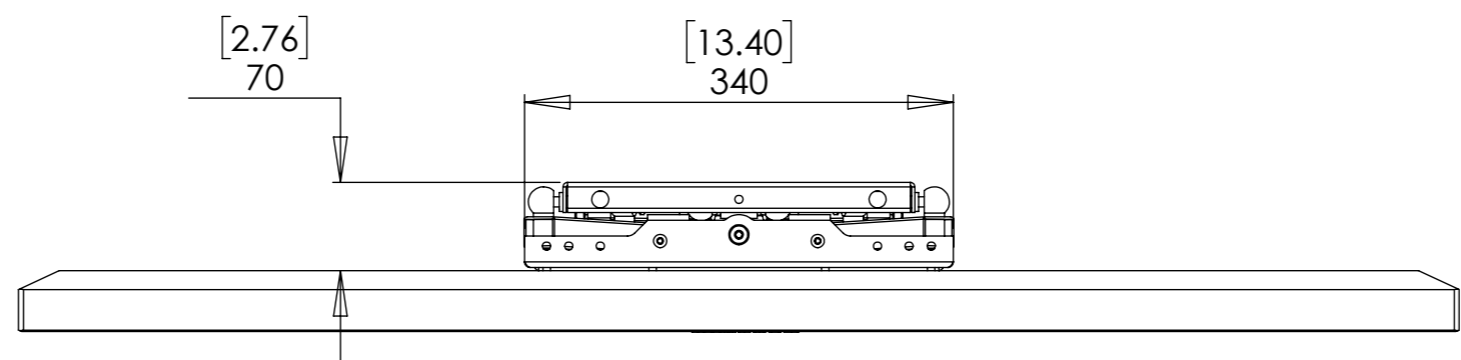


General Dimensions

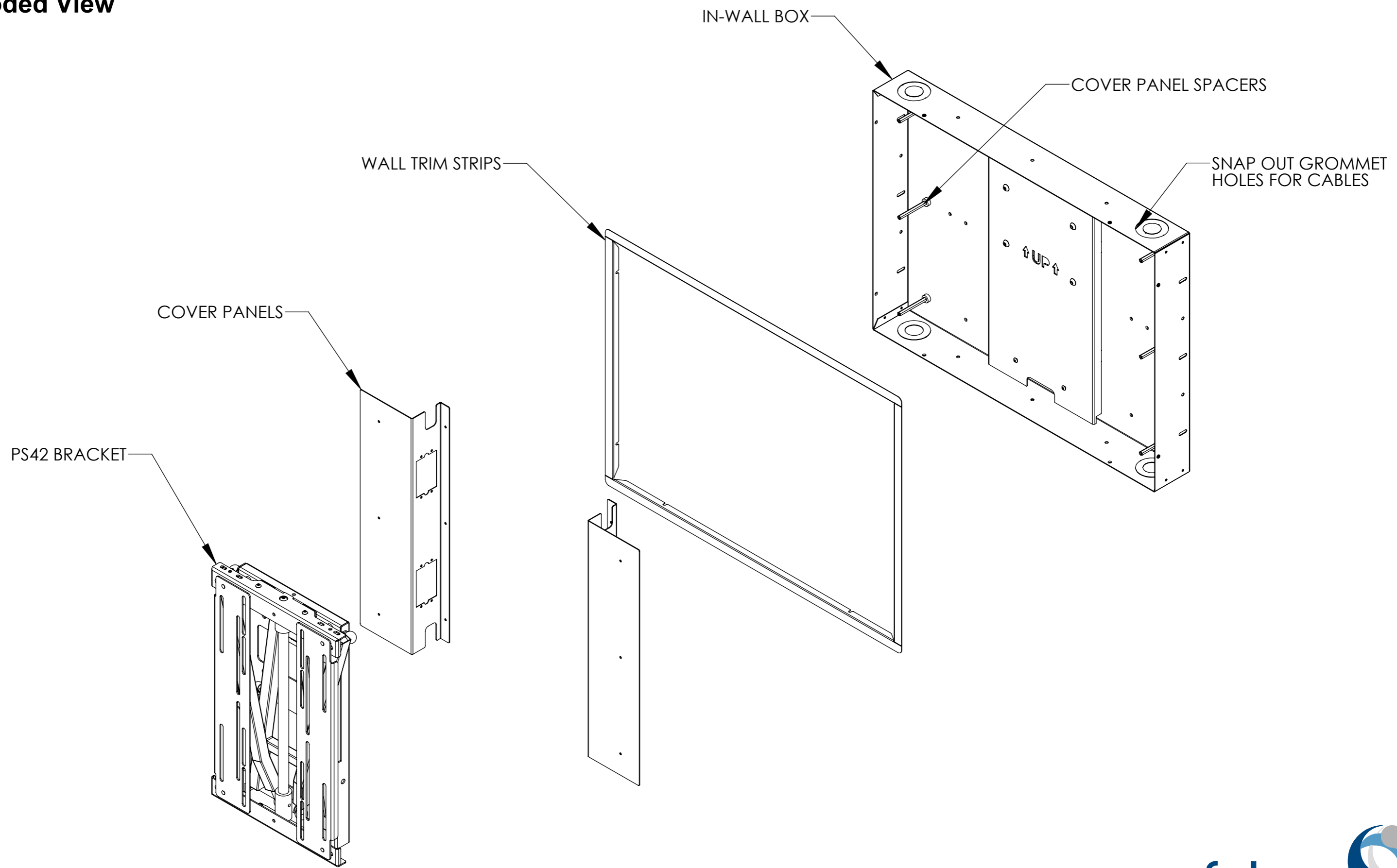


Bracket Movement - Dimension

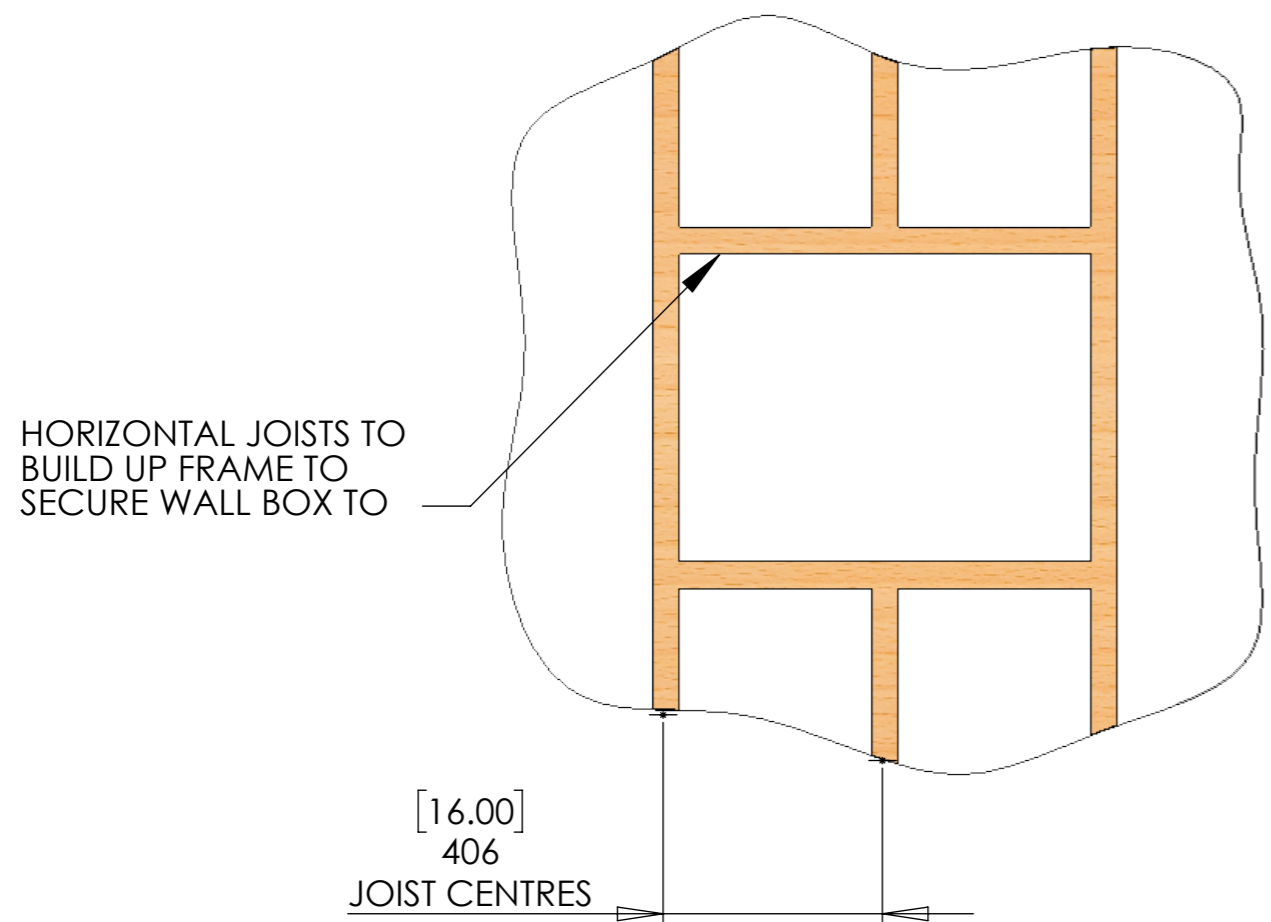
Top view showing maximum movement of bracket.
60 degree rotation may be reduced with very wide
screen installations.
Very smooth one hand operation.



Exploded View



Wall Recess Dimensions



INSERT THE WALL BOX INTO THE VOID AS SHOWN THEN SECURE THROUGH THE SIDE FIXING HOLES

