



---

Roller Shade Product Guide

January 2018



# Contact

**Address:**

QMotion UK  
62 Alston Drive  
Bradwell Abbey  
Milton Keynes  
MK13 9HB  
United Kingdom

**Website:**

[www.qmotionshades.co.uk](http://www.qmotionshades.co.uk)

**Email:**

[info@qmotionshades.co.uk](mailto:info@qmotionshades.co.uk)

**Phone:**

Customer Service Number: +44 (0) 1908 047 980

**Social:**

[www.twitter.com/qmotionuk](http://www.twitter.com/qmotionuk)  
[www.facebook.com/qmotionshadesuk](http://www.facebook.com/qmotionshadesuk)  
[www.pinterest.com/qmotionuk](http://www.pinterest.com/qmotionuk)  
[www.instagram.com/qmotionuk](http://www.instagram.com/qmotionuk)

# Table of contents

	page
Features.....	4
Options.....	5
Battery Life and Range Expectations .....	6
QBatteryShade Information.....	7
Qadvanced Battery Operated Shades .....	8
Narrow Shade Information .....	9
Cassette Shades .....	10
Qlink Coupled Shades .....	11
Qadvanced Wired Motorised Shades.....	12
Remote Control Options for Gen 3 FM & ZigBee HA1.2	13
Qadvanced with ZigBee HA 1.2. Contorls.....	14
QIS Hardwired Information.....	15
QMotion Power and Communicatin Panel for QIS.....	16
Mounting Brackets.....	17
Fascia.....	18
Tilt Out Side Channels and Sill Angle.....	19
Stationary Side Channels and Sill Angle.....	20
Remote Control Options.....	21
Extend your Range and Reception with Qrelay.....	22
QMotion UK Wall Plate .....	23
Low Voltage Transformer Information.....	24
Customer's/Special Own Material (C.O.M./S.O.M.)...	25
QMotion UK Measurement Instructions.....	26-27
Brackets (Universal Back/Face Mount).....	28-30
Brackets (Universal Top Mount).....	31-32
Dual Brackets.....	33-35
Fascia Brackets.....	36
Cassette.....	37
QMotion UK Fascia (2.6).....	38
QMotion UK Fascia (3.3).....	39
Copyright Notice and Disclaimer.....	40
Environmental Statement.....	41
Limited Warranty.....	42

## Features

### **QMotion UK offers state-of-the-art natural light control with the following benefits:**

#### Several different control options

- QMotion UK shades offer the convenience of moving the shade up or down, stopping at any of the top, the bottom, three programmable intermediate stops, or anywhere in between; all with the ease of a button press.
- *Lost your remote? No problem!*  
QMotion UK shades can be moved up or down manually with no remote control. Simply give the shade a gentle pull to get them started.
- *Interested in reducing your energy bills?*  
The programmable timer remote can be set up to move your QMotion UK shade automatically. Automate your shades by time of day, or day of the week. Create six distinct settings and let the shades do the rest.
- *Want to control multiple shades with just one remote?*  
QMotion UK multi-channel remote controls 5 individual shades or 5 groups of shades all with one remote control. Each channel can have an unlimited number of shades programmed to it.

#### Unmatched quietness

- QMotion UK engineers developed a shade with quiet operation for a beautiful and peaceful experience.

#### Distinctive designs

- Generous fabric collection of light filtering, decorative and beautiful blackout materials.

- **Industry leading light gaps** on the sides of the shades as small as 13mm gap on each side, providing the most uniform and highest level of window coverage.

#### Unparalleled simplicity

- **QMotion UK automated shades are powered by a low voltage power supply, or an internal pack of standard D-cell batteries.**
- Batteries can last up to three years, dramatically reducing maintenance cost and adding convenience, (shade size and usage will determine actual battery life).
  - No cords
  - No electrician
  - No wires
  - No special tools
- QMotion UK battery operated shades are shipped with the batteries installed in the shade tube, for the convenience of our customers.



## Options

### QMotion UK advanced shading solutions allow for a customised experience.

#### The look you want

- QMotion UK shades offer *several choices of fascia* to conceal the top of the roller shade.

#### The design you need

- Shades come in *either standard roll or reverse roll*. Standard roll shades have the fabric rolling off the back of the roll close to the window, while reverse roll shades come off the front of the shade roll, and are further from the window glass. Reverse roll may be a preference for design purposes, or may be needed to permit the shade to lower clear of window obstructions.

#### The number you want

- Our *dual shade system* allows users to choose a combination of two shades on the same window. Often used with a light filtering fabric in the front and with a room darkening fabric closest to the glass, QMotion UK dual shades are an excellent way to double treat a window in a small space.

#### The choice you prefer

- Transformer low voltage power supply is a wired power solution for those who want the benefits of QMotion UK automated shades with a connection to the property's electrical system.
- Battery powered QMotion UK shades offer the same benefits as low voltage powered, and add the ability to install in difficult situations as well as function in the absence of an electrical supply. As QMotion UK battery powered shades use an internal battery pack, there are no visible battery packs or wires to hide or see.

#### Customisation that's right for you

- Choose from our assortment of remote controls. All remotes fit on our magnetic wall docking stations.
- As our programming is simple, all shades arrive ready to "learn" to your remotes. A shade may be controlled by as many as 12 different remotes.
- Combine groups and remotes for your convenience. A channel can be for a single shade or a group of shades, and various groups can be programmed to suit the space.

#### Safe by design

- Shades come in an endless range of colours and finishes, but when buying shades for your home, you must consider the way they are operated.
- A shade which is safe by design is one that is cordless or has concealed or tensioned cords.
- QMotion UK roller shades are cordless by design.



# Battery Life and Range Expectations

## **QMotion UK shades offer the longest battery life in the industry.**

QMotion UK shades lead the industry in battery life with our patented technology by putting the batteries inside the tube, providing superior aesthetics with no power wires or antenna showing.

- Our battery powered shades use D-cell alkaline batteries or AA lithium batteries. The expected battery life for D-cell batteries, is up to 3 years, depending on shade size and usage.
- The battery life for AA lithium batteries for the narrow shades is 12 to 18 months.
- As a unique feature in the industry, QMotion UK battery operated shades are shipped with the batteries installed in the shade tube. This benefit allows for a quick, and therefore easy, installation. QMotion UK does not manufacture these batteries\* and does not warrant them or their endurance. Individual battery life is dependent on many factors and if your shades do not appear to be operating efficiently, please replace as needed, being sure to replace all batteries in each product at the same time with batteries from a single package from a single manufacturer.
- Battery life is dependent on shade usage and size, and some environmental factors. Larger shades and shades which are used more, will have lower battery life expectancy when compared to smaller shades or those used less frequently.

## **Battery Replacement**

Easy battery replacement - by placing the access port for the batteries in the shade tube wall, you can now change the batteries without having to remove the shade from the brackets.



Product	Expected Open Air Range * in Metres
Single Channel	9
Multi Channel	9
Timer Remote	3
Qconnect	15
Qrelay	9
Qsync	15

**\*Environmental conditions may affect individual results.**

**All range dimensions are based on an unobstructed environment or free range. There are a multitude of factors that cannot be controlled by our product that interfere with the range. Actual use in a home, office or other space can expect lower range, which can be augmented through the proper use of the Qrelay range extender device.**

## QBattery Shade Information

**Finally, the luxury and safety of automated shades, completely free of cords and wires, are accessible to everyone.**

### Order specifics

- Shades ship complete with brackets and batteries, as needed, ready to install.
- Shades may be specified standard or reverse roll.
- If desired, a 24v low voltage transformer power option may be specified.

### Size limitations

- For AA lithium batteries, the minimum width is 396mm and the maximum width is 559mm, bracket to bracket.
- For AA lithium batteries, the maximum height is 2438mm.
- Minimum width is 410mm with low voltage power.
- Minimum width is 559mm with D cell batteries.
- Maximum width is 3000mm for standard shades.
- Maximum height is 3500mm for standard shades.
- Consult fabric tables for available fabric heights, widths and more specific size availability.

### Roll size

- Roll up diameter or RUD is determined by the size of the shade and fabric chosen.
- Extra length of material will be added to the height of the shade in order to allow the fabric to wrap around the tube when fully rolled down.

### Fabric orientation and size

- All shades ship with fabric oriented in the vertical roll direction from the mill.
- If a shade in a group is railroaded, you have the option to railroad all shades in the group to match.
- Railroading is available on select fabrics only.

### Tube and hembar size

- Tube and hembar diameters vary depending on the height and width of your shade.
- Hembars are available in painted or fabric wrapped. Paint colours are white, sand, anodised silver, bronze and black.

### Spline

- QMotion UK fabric is attached to the blind via a removable spline for ease of removal or replacement. Occasionally it may be necessary to supply certain fabrics without the spline. Should the fabric require changing and no spline is fitted, the blind can be returned to QMotion UK for fabric replacement. Please call to discuss.

### Fixing

- Motor noise is affected by the substrate it is fixed in to, this can either increase or decrease motor noise.



## Qadvanced Battery Operated Shades

More choices to suit your client's needs. Qadvanced battery operated roller shades are now available in three different communication protocols. Our Gen 2 433 Mhz AM shades are what you have come to know over the last couple of years. We've enhanced our proprietary protocol in our Gen 3 433 Mhz FM shades, for those environments that may have a lot of other electronic devices competing for radio air space. And even better, you can now offer your clients 2-way communication with the ZigBee HA1.2 battery operated shades.

### **Qadvanced Battery Operated Roller Shades with Gen 3**

Uses the 3rd generation QMotion proprietary protocol, 1-way communication. Our Gen 3 FM shades are great for stand-alone applications where there is potential interference from other electronic devices. This protocol may be more consistent and responsive in radio rich environments. Used with the Qsync Gen 3 FM smart home automation systems integration or stand-alone mobile app for iOS or Android smart devices. The Qsync Gen 3 FM is used in place of the Qconnect that you are familiar with our Gen 2 AM shading systems.

Qadvanced Gen 3 FM roller shades use our Universal Remotes, either single channel or multi channel, and can also be system integrated or smart "app" controlled using our Qsync for Gen 3 FM. The Universal remotes are designed to fit in standard style wall plates. Refer to the Remotes section for more information on the Universal Remotes.

### **Qadvanced Battery Operated Roller Shades with Zigbee HA1.2**

QMotion Qadvanced Battery operated Shades are available using the ZigBee HA1.2 (Home Automation v1.2) specification for 2-way communication. Provides enhanced communication consistency compared to proprietary protocols; comes with built-in signal collision avoidance. QMotion Shades with ZigBee HA1.2 are programmed to "wake up" at set intervals, thus controlling the battery usage in a highly consistent manner. Adding 2-way communication allows for feedback of the shade position with automation apps. Qadvanced shades with ZigBee HA1.2 have all the exclusive features as the Qadvanced Gen 2 AM shades, such as manual override, quiet motors, narrow light gaps, with the added benefit of the ZigBee network.

Qadvanced shades with ZigBee HA1.2 may be integrated with smart home automation systems or used "stand alone" with the ZigBee Multi Channel Remote and Qube. Most smart home automation systems will also require the Qube coordinator (gateway or bridge device) for integrating the shades to their system, if they lack ZigBee as a native element. QMotion recommends including our Range Extenders to enhance performance and range among the remote controls and shades in the ZigBee network. Refer to the Integration and Remotes section D for more information on the Qube, Range Extenders, and ZigBee Remotes.



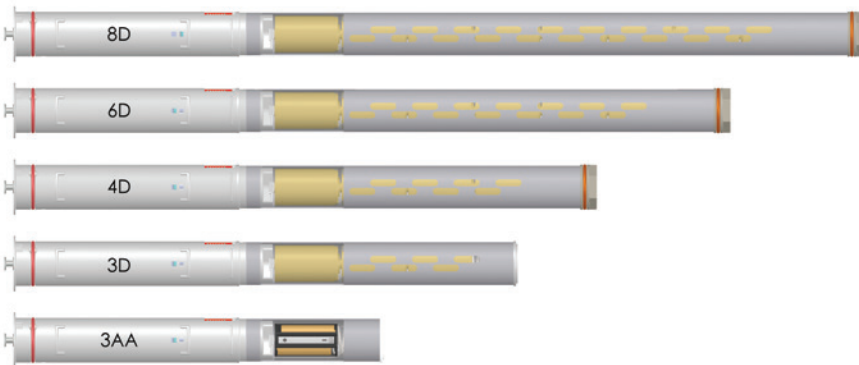
## Narrow Shade Information

**QMotion UK is now offering the world's narrowest battery operated shades. The smallest roller shade of its kind has arrived.**

### Order Specifics

- The minimum width is 396mm and the maximum width is 559mm, bracket to bracket.
- The maximum height is 2438mm.
- Uses three AA lithium batteries.
- Battery expectancy is up to 12 to 18 months based on 2-4 operations per day.
- Currently available in battery operated shades only.
- For added convenience each shade ships with batteries.

### Motor control assembly with indicated batteries required



### Tube size/motor adaptations for QMotion UK battery/low voltage

QADVANCED ROLLER SHADE MOTOR/CONTROLLER ASSEMBLIES			
NUMBER & SIZE OF BATTERIES	BRACKET-TO-BRACKET MINIMUM WIDTH	BRACKET-TO-BRACKET MAXIMUM WIDTH	TUBE SIZE
3AA	396mm	559mm	51mm
LV	410mm	3000mm	51/61mm
3D	559mm	629mm	51mm
4D	629mm	1067mm	51mm
6D	756mm	2438mm	51/61mm
8D	883mm	3000mm	61mm

## Cassette Shades

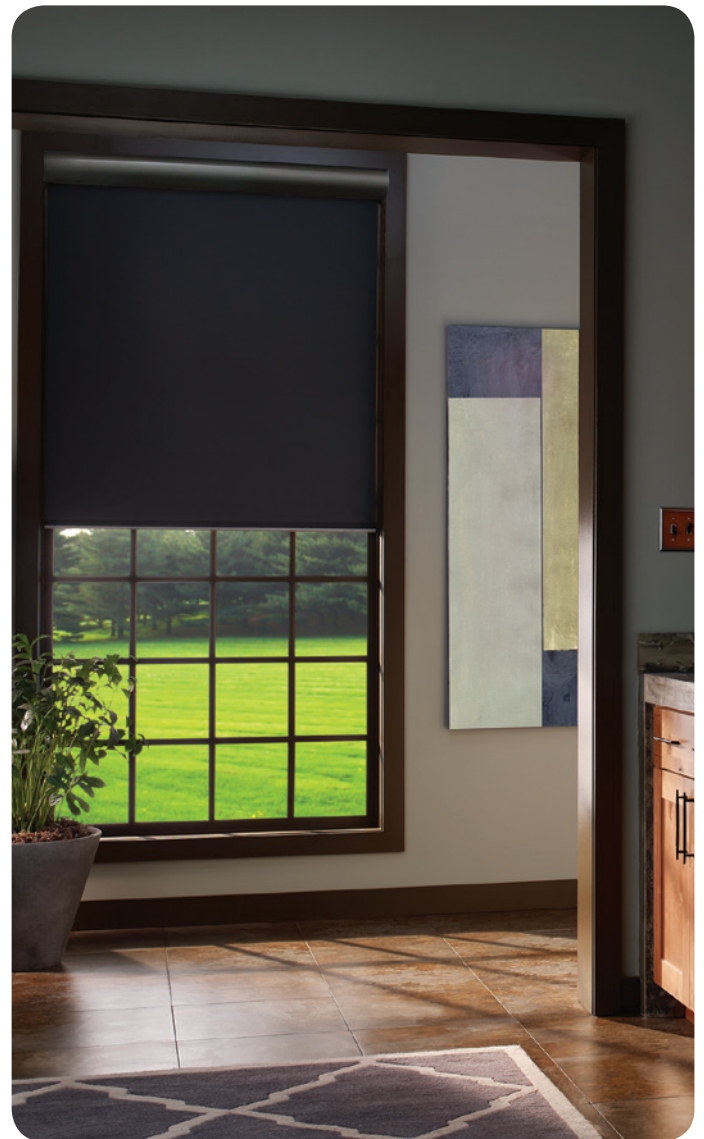
### Qcassette

QMotion UK motorised cassette roller shades are powered by the same innovative battery saving technology used in all of our roller shades. This cassette was designed for a soft elegant look with easy installation in mind.

- Fully enclosed shade system covered with an aluminium fixing profile, and shade rises fully into the cassette.
- Installation of this single shade cassette is literally a “snap” with two simple spring clips needed.
- Light blocking wool pile integrated into the top for more complete finish and better light management.
- Curved front cover design.
- Co-ordinated front cover in 5 standard laminated colours. White, black, bronze, sand and silver.
- Painted or fabric wrapped hem bar.
- Easy access for battery operated shade through pivoting front cover.
- Available on shades up to 3000mm x 3500mm, with limited fabric exceptions. Max RUD of 76mm.
- Light gaps are 18mm on each side, 38mm total.
- For inside mount application deduct 38mm.
- Works with all QMotion UK controls.
- End covers included with all cassette systems
- Compatible with low voltage as well as battery QMotion UK automated shades.



The QMotion UK cassette back extrusion is a durable structural aluminum, designed to mount securely and retain the QMotion UK system.



## Qlink Coupled Shades

### Qlink

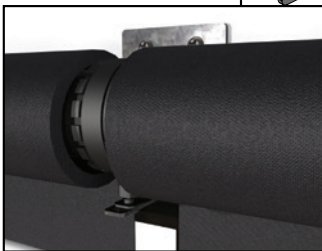
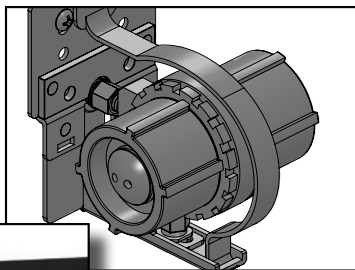
Qlink coupled shades can cover spans as wide as 7.3 metres by 3048mm drop with a single motor with up to 7 panels.

- Multi-window coverage without wiring, or use our low voltage system.
- Available in back, side and top (ceiling) mount.
- Cover with QMotion UK snap on fascia.
- Manual override option - shades can be operated manually at all times.
- Shades retain long battery life.
- Adjustable installation brackets for proper hembar alignment.
- Qlink coupled shade mounting brackets are compatible with standard QMotion UK 2.6 and 3.3 mounting brackets.
- Low voltage power option available from right end or left end.
- All other QMotion UK features and benefits continue to apply.



### Ordering Information

- Standard roll has motorised shade on left.
- Reverse roll has motorised shade on the right.
- All coupled shades must be the same height and use the same fabric.
- Choose either white or black for Qlink coupler.
- Coupler bracket enables adjustments for height and depth.
- Recommended maximum panel number is 7 panels.
- Shades with a roll up diameter of 66mm or less will utilise 2.6 universal brackets.
- Shades with a roll up diameter from 67mm will utilise 3.3 universal brackets.
- Product which needs fascia must have RUD from 61mm to 83mm and use 3.3 fascia brackets.
- Shades with a roll up diameter less than 66mm which require fascia will require a 61mm tube.
- Max RUD with Qlink is 83mm.



Total Shade	
Minimum Battery Shade Width	813mm
Minimum Low Voltage Shade Width	410mm
Minimum Inner Width	432mm
Minimum Overall System Width	432mm
Minimum System Width	1250mm
Minimum Number of Panels	2
Maximum System Width	7315mm
Maximum Height (see fabric tables)	3048mm
Battery Available	Yes
Low Voltage Available	Yes
Fascia Available	Yes
Light Gap Between Bands	26mm

## Qadvanced Wired Motorised Shades

QMotion Qadvanced Roller Shades now have multiple options for those environments where wiring to the shades is available. You have the option of two wiring protocols, either Qadvanced low volt one way communication motors or our Qadvanced QiS System which provides two way communication. The Qadvanced Intelligent System (QIS) is a hardwired shading solution using standard voltage off-the-shelf Cat5e or Cat6 cables for both power and communications to the shades, and also offers the option of ZigBee communication, natively inside the shades themselves.

### Qadvanced Low Voltage

The Low Voltage shades use 22AWG/24V connector wires from the shade controller (motor). The Gen 3 FM shades are controlled with the same wireless RF remote as Gen 3 FM battery shades. Power supply option is available within the price list.

Our Low Voltage Gen 3 FM shades are great for stand-alone applications where there is limited potential interference from other electronic devices for remote control. This protocol may be more consistent and responsive in radio rich environments. Used with the Qsync Gen 3 FM for smart home automation systems integration or stand-alone mobile app for iOS or Android smart devices. The Qsync Gen 3 FM is used in place of the Qconnect that you are familiar with for our Gen 2 shading systems, and allows for IP integration.

Qadvanced Gen 3 FM roller shades use our Universal Remotes, either single channel or multi channel, and can also be integrated or smart “app” controlled using our Qsync for Gen 3. These remotes are designed to fit in standard style wall plates. Refer to the Remotes section D for more information on the Universal Remotes.

### Qadvanced Intelligent System Hardwired

Qadvanced Intelligent System (QIS) Hardwired Roller Shades use standard off-the-shelf Cat5e or Cat6 cable for both power and communications. All QiS blinds are made with a female/male RJ45 connector on a lead that is no longer than 900mm from the motor end, which you define as left or right hand end at ordering stage. Cat5e or Cat6 cables are not included and must be purchased separately.

You may use shielded Cat5e or Cat6 cables, but it is not required. Some installations where the QIS cables may be close to other wiring, it may be advisable to use shielded cables to protect from possible interference. **NOTE: Do NOT use Power over Ethernet (PoE) or any Ethernet wiring or powering scheme.** This will damage the shade motors and void the warranty.

QIS shades require our Power and Communications Panel with 8 ports (power supply included). The 8 ports connect via RJ-45 connectors for any combination of a total of 8 shades and controls. QIS shades may be used with our wired wall switches and/or wireless remote controls (ZigBee Remotes) with the Qube (coordinator) device using the ZigBee HA1.2 specification. Total system capacity for one complete QIS system is 200 devices - shades or remotes. **Refer to QIS Roller Shade Application Guide for a system overview, detail specifications on wiring specifications, system capacity and limitations**

QIS shades may be used in a completely wired installation using our wired Wall Switch Controls (single or double), or integrated with an automation system. Your customers may also want the option of wireless remote control, which is available with ZigBee HA1.2 specification. Used with the Qube (coordinator) device and the ZigBee Remotes for ZigBee, this can be in a stand-alone environment or used with a smart home automation system using ZigBee HA1.2 specification. Some automation systems communicate in native ZigBee protocol, and the Qube is not required. Please check with your automation system provider for details.

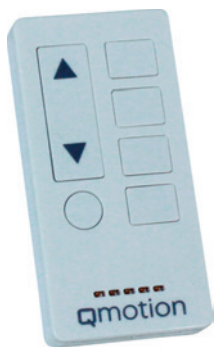
QMotion recommends including our Range Extenders to enhance performance and range between the remote controls and shades in the ZigBee network. Refer to the Integration and Remotes section D for more information on the Qube, Range Extenders, ZigBee Remotes, and Wall Switch Controls.

## Remote Control Options for Gen 3 FM and ZigBee HA1.2

The range of remote control of a shade is dependent on type of controller, type of shade, bracket, fascia, and installation environment. Individual results may vary, and may be less in some environments due to obstructions in the path of the signal, such as walls, appliances, and/or electromagnetic interference from other electronic devices, many customers have reported even better results.

### QMotion Remote for Gen 3 Roller Shades

The new QdR remote for Gen 3 shades is designed to be more sleek and user friendly. Each remote comes with 6 buttons to support Up, Down and preset positions 20%, 40%, 60%, 80%. The preset positions may be customised. Magnetic back for simple storing in wall plates. The remote controls unlimited number of shades in a group within a range of 9 to 15 metres. The Gen 3 Universal remote may be used with Qrelay FM to extend the range. Normal remote range: 9 to 15 metres.



#### Single Channel

- All shades programmed to the remote act in sync when button is pressed.
- Ideal for rooms with children or guests who may be unfamiliar with the remote and won't accidentally change the channel on the remote.



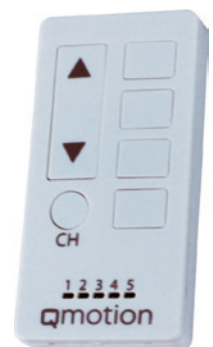
#### Multi Channel

- Up to 5 individual or group settings, unlimited number of shades per group.
- All shades programmed to a multi channel remote are controlled together with an "All" channel.
- Motion activated channel indicator when remote is tapped or moved.

Please refer to programming instructions for details on pairing and adding shades, customizing preset positions, and programming to channels.

### QdR Remote for ZigBee HA1.2 Roller Shades

- 6 buttons to support Up, Down and preset positions 20%, 40%, 60%, 80%.
- Requires the Qube coordinator device for interfacing with most ZigBee HA1.2 systems.
- Preset positions may be customised
- Magnetic back for simple storing in wall plates
- Controls unlimited number of shades in a group
- Up to 5 individual or group setting, unlimited number of shades per group
- All shades programmed to a multi channel remote are controlled together with an "All" channel
- Normal remote range: 9 to 15 metres
- May be used with Range Extenders for ZigBee HA1.2 for extending range or for Stand-Alone installations (shades controlled by a remote not on a network).



*QdR Remotes for Qadvanced with ZigBee HA1.2 shades only available as a Multi Channel Remote.*

Please refer to programming instructions for details on setting up the ZigBee HA1.2 automation system with Qube coordinator, Range Extender, pairing and adding shades, customizing preset positions, and programming to channels.

## Qadvanced with ZigBee HA1.2 Controls

The ZigBee network is a self-healing mesh network that operates on 2.4 ghz. Self-healing means that if there is a weakness in the network, the signal will find a new path. Within this network, you will have devices that can either repeat a signal or be an end device. The QMotion Qube and Range Extender are considered “repeat” devices, and QMotion Qadvanced shades are considered “end” devices.

Qadvanced with ZigBee HA1.2 shades work on a ZigBee mesh network and require the Qube coordinator for interfacing with most smart home automation system networks. The Qadvanced with ZigBee HA1.2 in a stand-alone environment requires a Range Extender to interface with the QdR remote; the Qube may be used in a stand-alone system, but is not required.

### Qube Coordinator

- Controls Qadvanced with ZigBee HA1.2 roller shades.
- Supports up to 32 devices per Qube, or 90 maximum devices per ZigBee HA1.2 network if using Range Extenders. Devices are defined as Qadvanced shades and QdR remotes.
- Qube without Range Extender supports any combination of 32 shades and remotes.
- Qube with Range Extender - a Range Extender takes up one of the 32 positions; 2 range extenders network.
- Qube must be plugged into a local WiFi router for programming, using the QMotion app with the Qube, and controlling the shades.
- Once programmed on the Qube coordinator with your smart device and our app, shades can be controlled with your smart device on any WiFi network through the cloud. Now you can control your shades from almost anywhere!



50mm square x 25mm high

### Range Extender

Each installation environment is unique and other devices in the room or building may have an effect on the transmission range of remotes. In some cases, a Range Extender may help in improving the signal reception. As an example, if a room is over 3.6 metre x 3.6 metre or a shade is 9 metre or more away from where it will be controlled, the Range Extender is recommended.

- Extends Range for QdR Remote with ZigBee HA1.2 and Qube coordinator.
- May extend the QdR Remote range 9 to 15 metres.
- Works with Qadvanced with ZigBee HA1.2 roller transition and honeycomb shades.
- Use as many as required in an installation (refer to limits when used with Qube).



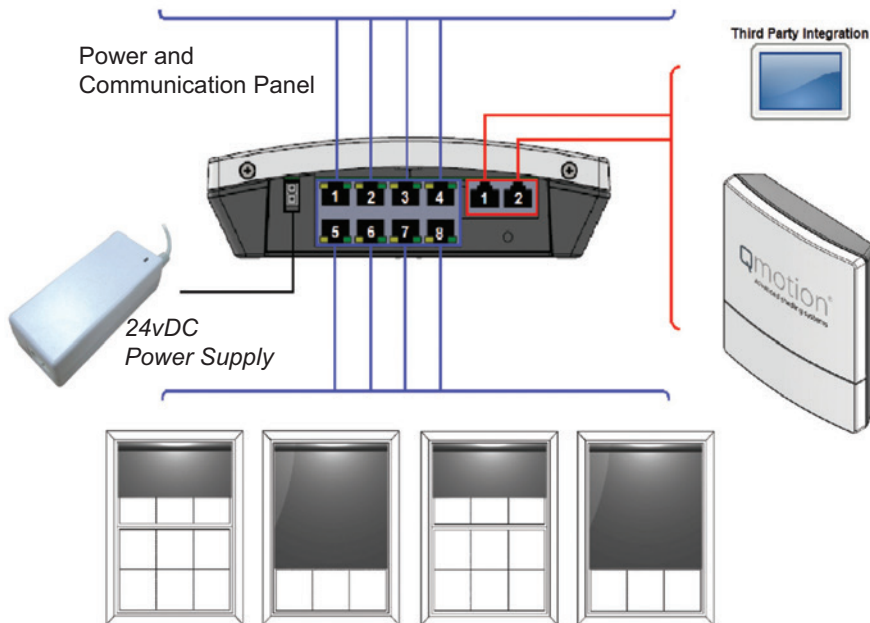
50mm square x 25mm high

## QIS Hardwired Information

QMotion QIS Hardwired shades deliver a robust and dependable control system. The QIS systems are also compatible with fascia as well as controls.

- Battery tube is replaced with connection leads.
- Each shade comes with a 900mm motor tail and female to male RJ45 connector on the end.
- Used with a Power and Communication Panel that can control up to 8 shades and/or controls.
- Max number of devices on the QIS system 200.
- Maximum distance from wall switch to furthest Power and Communication Panel is 300 metres.
- Power and Communication Panel comes with own power supply.
- Shades may be controlled with either iOS or Android smart devices or QdR remote for Zigbee HA1.2.
- Each Power and Communication Panel is designed to distribute the appropriate power to as many as eight shades or control devices.
- QMotion QIS Hardwired Shades offer the same unique and patented manual override system as our battery operated shades.
- Motor also embedded with Zigbee HA1.2 proprietary protocol, 2-way communication.

### Illustration



*The Qadvanced Intelligent System offers three methods for Shade Control:*

- *Hardwire control: Uses standard Cat5e or Cat6 cable for both power and communication. Controlled via hardwired wall switches.*
- *ZigBee HA1.2: Uses standard Cat5e or Cat6 cable for power. Wireless communication via ZigBee HA1.2 specification. Supports stand alone applications or ZigBee HA1.2 network applications that are easily integrated with 3rd party control systems.*
- *RS485 Communication: Uses standard Cat5e or Cat6 cable for both power and communication. Third party integration via RS485 Protocol.*

## QMotion Power and Communication Panel for QIS

### QMotion Power and Communication Panel Features:

- DC output: 24 Volt, 7.5 Amps
- AC input: 100-240 Volts ~ 2.5 Amps
- Wall Mounted Switches receive power through Power Over Cable (POC)
- Wireless Remotes Power Supplied through a CR2032 Coin Cell Battery
- RJ-45 Ports for Motorized Shades and switches - Quantity 8
- Communication Ports (RJ-45) - Quantity 2



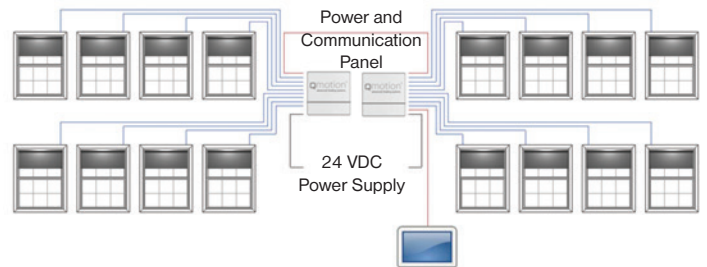
205mm square x 50mm high

### Specifications

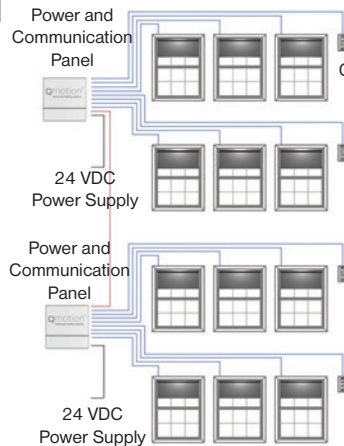
Product Specs	Max Distance
Up to 2400mm wide x 2400 metres high Shade	410 metres to/from Power Communication Panel
2400mm wide x 2400mm high to 3000mm wide x 3000mm high Shade	250 metres to/from Power Communication Panel
Switch to furthest Power Panel	330 metres from wall switch to furthest Power and Communication Panel
Wire length from source to shade	660 metres for an RS 485 application

### QIS Diagrams

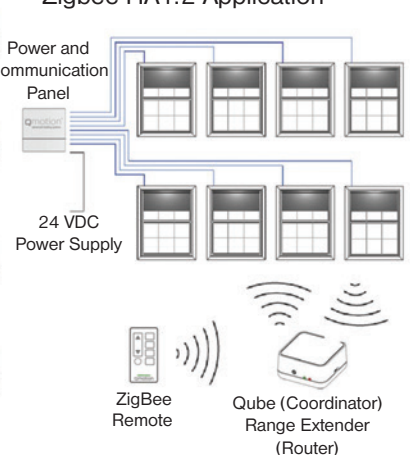
#### Third Party Integration



#### Hardwired Switch Application



#### Zigbee HA1.2 Application



### Wiring Adapter

QMotion's Wiring Adapter allows for pre-wired cabling to easily connect to QIS shades, resulting in simple and convenient access to QMotion shades without rewiring your entire system. This 6 inch adapter allows for the translation of communication and power without the added expense of proprietary cabling.



## Mounting Brackets

### Bracket options to suit installation needs.

#### Several styles

- There are several different mounting brackets offered depending on application requirements:
  - 2.6 Universal                      3.3 Universal
  - 2.6 Snap On Fascia      3.3 Snap On Fascia
  - 4.3 Snap On Fascia



#### Bracket Applications

- Non-fascia shades ship with universal brackets.
- Pocket applications fit best with our 2.6 snap on fascia bracket. Please note bracket requests on order.
- Dual shade applications ship with dual brackets.
- 3.3 universal bracket is shipped for all outside mount applications with roll up diameters greater than 67mm.
- Verify bracket dimensions in the space where the shades will be installed. Accommodate space to install roll in pocket and reverse roll applications.  
**Please refer to bracket illustrations section.**
- 2.6 brackets accommodate roll sizes from 51mm - 67mm. 3.3 brackets accommodate roll sizes from 67mm - 83mm.

#### Roll size guidelines

- Roll size is determined at the time an order is quoted and is dependent on material thickness, tube diameter, and the height of the shade. Fabric listing tables provide the maximum shade height for 2.6 brackets and 3.3 brackets depending on fabric type and width of shade.
- Specify top or back mount and standard or reverse roll on order form.
- All brackets may be side mounted.



## Fascia

### **A special accent piece that adds to the beauty of QMotion UK shades.**

Including fashionable, colour co-ordinated fascias will enhance both the form and function of your QMotion UK Shades. Easily mounted either inside or outside the window recess, fascias attractively conceal the shade system while adding to the light protection your shades were designed to provide. So they're pretty and practical, all in one.

- Choose from five standard colours: white, grey (anodised silver), sand, bronze or black.
- There is the option to include colour co-ordinated end caps with fascia orders.
- All fascia includes an integrated light blocking brush strip at the top for full finish and optimal light management. The light blocking strip is available in black or white.
- Shipping charges for fascia are included with the shade if ordered with the shade, unless there are excess size charges from the freight carrier.
- Fascia not ordered to fit individual shades will be charged additional shipping charges.
- To ensure proper fit and function, inside mount fascias are cut to match the top window width provided.

### Fascia end cap options

- Fascia end caps provide a clean look to the sides of the fascia on outside mounts or when the fascia extends out from the window frame on inside mounts.
- For inside mount applications, if fascia extends beyond opening, end caps may be cut in the field for custom fit.
- For inside mount applications, where window opening depth exceeds shade and fascia depth, no end caps are needed.
- End caps extend 2mm beyond fascia.



### Pocket Closure

- To conceal the lower front of a pocket installation, QMotion UK offers the pocket closure system.
- This simple two part system installs easily, and conceals the underside.



## Tilt Out Side Channels and Sill Angle

### Features and Benefits

- New two-piece tilt out design allows for easier installation in window recess or wall. Installation be either side mount or back mount.
- Easier access to shade for battery change out.
- Side Channels and Sill Angles offer an additional light control solution by covering the sides and bottom of the window. (Shade fascias block the light at the top of the window.)
- Side Channels are 67mm wide by 34mm deep.
- The fabric travels inside them with a light blocking wool pile located in 3 positions to aid in minimizing additional light seepage from non-straight wall/ window well construction to assist with better light control.
- Side Channels and accompanying Sill Angles come in 2 standard colours (White and Black or for an additional fee can be powder coated to match a RAL colour).
- Sill Angle is “L”-shaped, and can be oriented to show either 50mm or 25mm face toward
- Fits into fascia to ensure maximum room darkening.
- Max size is 3000mm x 3500mm (depending on fabric choice).
- Side Channels are used with new Oval Hembar.
- No fabric wrapped hembars available.

**Note:** The new tilt out Side Channels must be ordered at the same time shades are ordered, and cannot be ordered for shades that were previously ordered or installed. These side channels are not available as a post installation upgrade.

**\*Make sure to program all shades first before installing side channels.**

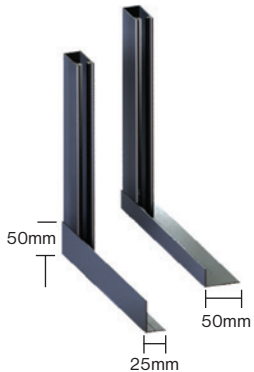


## Stationary Side Channels and Sill Angle

### QMotion's Original "Stationary" Side Channels and Sill Angle

- Side Channels are 70mm wide by 28mm deep, and the fabric travels inside them with a light blocking wool pile to assist with better light control.
- Side Channels and accompanying Sill Rails come in 2 standard colours (White and Black or for an additional fee can be powder coated to match a RAL colour).
- Sill Angle is "L"-shaped, measuring 25mm x 25mm.
- Fits into fascia to ensure maximum room darkening.
- Max size is 3000mm x 3500mm (depending on fabric).
- No fabric wrapped hembar avail-
- Sill angle must be ordered separately, not automatically included.

**\* Make sure to program all shades before installing tilt out and stationary side channels.**



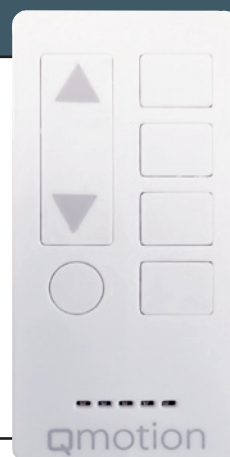
COMPARISON CHART Features and Benefits	Stationary Side Channels	Tilt-Out Side Channels
For use in both inside or outside mount	Yes	Yes
Easy battery change out	No	Yes
Helps ensure maximum possible room darkening	Yes	Yes
Works with sill angle	Yes	Yes
Ability to order side channels separately from shades	No	No
Includes light blocking wool pile	No	Yes
Fits into Fascia. Must order reverse roll if a larger fascia is used so you don't have added light coming through (3.3 bracket)	Yes	Yes
Compatible with new oval hembar	No	Yes
Maximum size	3000 x 3500mm	3000 x 3500mm

## Remote Control Options

The range of the remote control is dependent on type of controller, type of shade, bracket, fascia and installation environment. Individual results may vary, and may be less in some environments due to obstructions in the path of the signal, such as walls, appliances, and/or electromagnetic interference from other electronic devices, many customers have reported even better results.

### QMotion UK Universal Remote

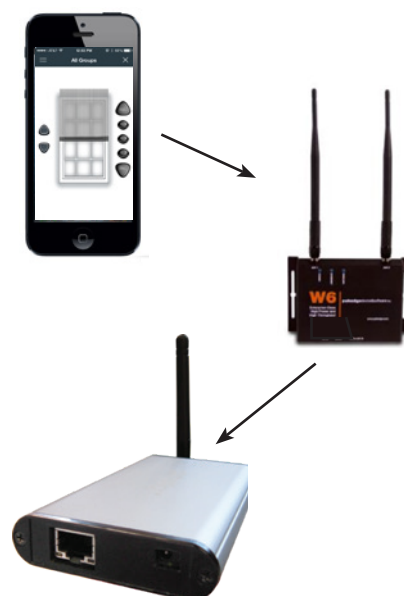
- Up to 5 individual or group settings, unlimited number of shades per group.
- All shades programmed to a multichannel remote are controlled together with an all button on the same remote.
- Supports up, down, 20%, 40%, 60% and 80% actions.
- LED Light feedback.
- Normal remote range: 9 metres.



### QMotion UK App and Qsync

#### QMotion UK Smartphone Application “App” Features:

- Control QMotion UK shades with iOS and Android mobile devices - operational within property only
- Virtual Shade: drag your finger to place the shade to the desired positions
- “Plug and Play” - easy set-up
- Channel system to name, take and set reference photo to group shades
- Step by step setup for learning, setting lower limit, and deleting shades
- Control up to 100 shades or up to 8 groups of shades from each Qsync
- TCP/IP to 433Mhz bridge
- Set up once and settings sync to other smartphones and tablets on the network
- Must have Qsync control unit
- Controls are very fluid, very responsive
- Normal remote range: 15 metres



## Extend Your Range and Reception with Qrelay

### QMotion UK Qrelay

**Each installation is different, and environmental factors may have an effect on transmission. In some cases, a Qrelay may be helpful in improving signal reception. To consider in advance, if a room is over 3.6 metres x 3.6 metres, or a shade is 9 metres from where it would be controlled, the Qrelay is recommended. As these dimensions increase, the Qrelay will become increasingly helpful, and spaces significantly larger may even benefit from more than one Qrelay.**

- Extends range of all QMotion UK remotes.
- Use as many as required in an installation (no limits).
- Powered from a wall outlet or from a powered USB port
- Two modes of operation “Zone Specific” and “Echo”.
  - Zone specific mode allows individual remotes to be learned to the repeater.
  - Echo mode repeats all valid QMotion UK remote commands.
- Normal remote range: 9 metres.



## QMotion UK Wall Plate

For the convenience of the user, consider QMotion UK wall docking station. Available as a single wall plate to be installed on a wall as a place to retain the transmitter used in a project. Remote control is held in place on the wall plate via a strong magnet and allows the remote control to be used as a wall switch for a third level of control for the shades. Wall plate is flush mounted and do not require routing a hole in drywall or other mounting wall finishes.

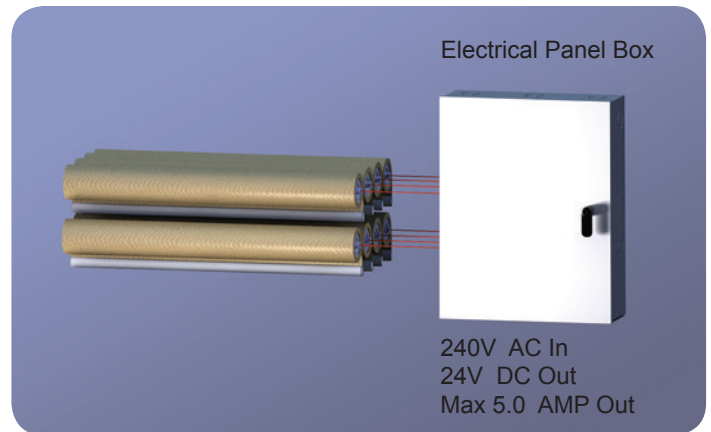


## Low Voltage Transformer Information

QMotion UK low voltage shades offer all the same features of QMotion UK battery powered shades, and are compatible with fascia as well as controls.

- Battery tube is replaced with transformer leads.
- Each shade comes with a 300mm wire lead.
- Tube is configured to convert low voltage into the proper level to power the shade.
- The power supply can be at the header with the shade, on the floor near the shade or in an equipment room.
- Low voltage single shades are controlled with the same wireless RF remote as the battery option shades.
- 24v power input accepted.
- QMotion UK low voltage shades continue to offer the unique and patented manual override system.

*\*Electrical Din Rail Panel Box system by others may be equipped with a customer supplied battery back up system, in the case of a site power event.*



## Spline

QMotion UK fabric is attached to the blind via a removable spline enabling easy fabric removal or replacement. Occasionally it may be necessary to supply certain fabrics without the spline. Should the fabric require changing and no spline is fitted, the blind can be returned to QMotion UK for fabric replacement. Please call to discuss.

## Fixing

Motor noise is affected by the substrate it is fixed in to, this can either increase or decrease motor noise. QMotion UK cannot guarantee motor noise due to the affects the fixing substrate has on the motor noise.

## Wire Gauge Requirements

QMotion UK does not supply the wires from the transformer to the shades. Recommended minimum wire gauge requirements for distances between power supply and shade or distribution box and shade are as follows for the required 2 conductor cables:

Wire Length	Min. Wire Gauge
0 - 15m	0.75m

*\*\*Consult your local electricity provider or regulatory agency for their guidelines regarding cable installation. Comply with all building codes, safety regulations and legal standards.*

## Customer's Own Material (C.O.M.)

In circumstances where the QMotion UK Shades fabric assortment is not similar to a desired material, customers may supply the fabric for the shade using a proprietary roller shade fabric. In this case we may recommend a laminating process which will incur extra costs. Please verify with your fabric supplier that the fabric can perform properly on a flat roller shade.

For a nominal fee of £50 (non refundable) a distributor can get a COM material qualified. To qualify COM material, the distributor must supply the following information to a QMotion UK Customer Service Representative: 1) Fabric specifications (weight & thickness) and 2) A 500mm x 500mm sample material shipped to QMotion UK, 62 Alston Drive, Bradwell Abbey, Milton Keynes MK13 9HB, United Kingdom. Note: quotes using a COM material are not valid until qualified and approved by QMotion UK engineers. QMotion UK reserves the right to decline any COM material that does not meet quality specifications. All fabric must be shipped to us in ready to use condition, as we will not inspect for quality. Contact our Customer Service Team for material and testing requirements.

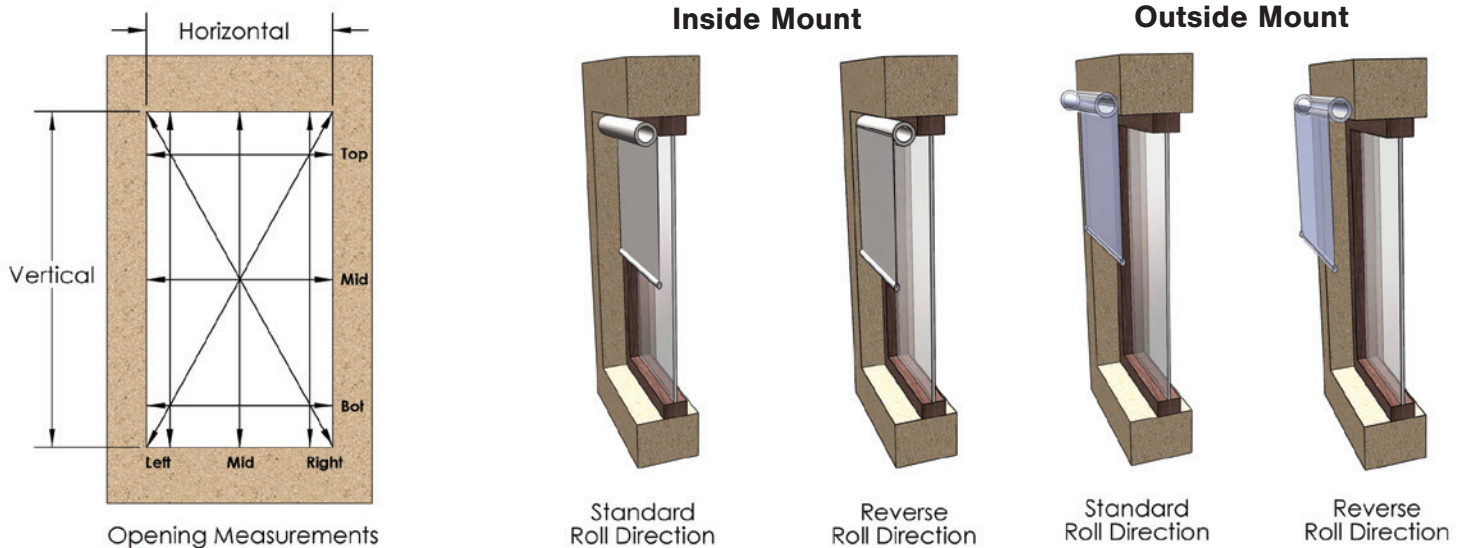
## Special Ordered Material (S.O.M.)

In cases where customers desire a material from a supplier of roller shade fabric. This may be colours of our standard styles which are not stocked, or styles from other major suppliers. Please consult with your QMotion UK Customer Service Representative for information about specific fabrics, including pricing and lead times.

*Note that in the case of both C.O.M. and S.O.M., there are extended lead times due to inbound freight and production scheduling.*



## QMotion UK Measurement Instructions



### Measure and assess area to be covered:

- Measure opening to be covered vertically and horizontally in three places.
- If vertical measurements vary more than 13mm we recommend an outside mount.
- If horizontal measurements vary more than 13mm we recommend an outside mount.
- Measure and compare diagonals to determine if opening is square.
- If corner to corner diagonal measurements vary more than 13mm we recommend an outside mount.
- Use a level to determine if opening is plumb and square.
- If out of square or out of plumb by more than 13mm we recommend an outside mount.

### Measurement rules:

- Make all measurements to the nearest mm. On inside mount applications, round down.
- Measure all windows, even if they appear to be the same size.
- QMotion will automatically deduct 3mm on inside mount applications for ease of fit.

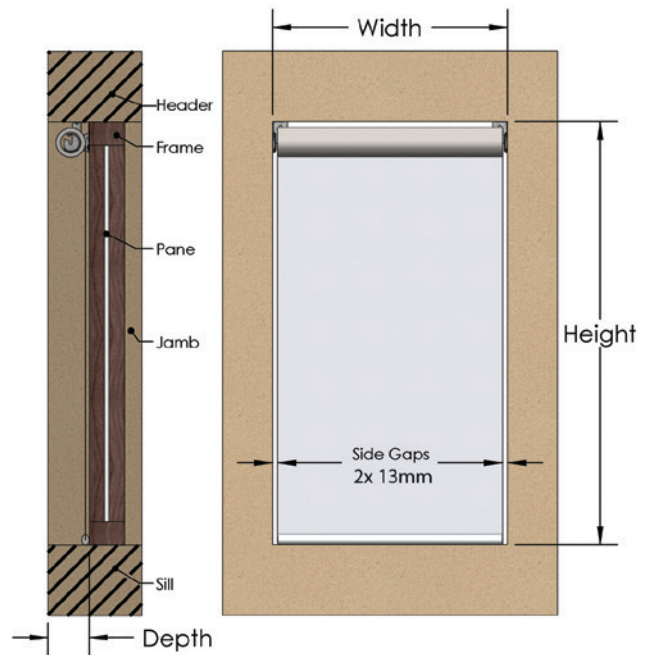
### Fixing **IMPORTANT CONSIDERATIONS:** *(All shades ship without fixings, the installer must provide these)*

- There must be significant support structure to hold the shade, i.e. wood, concrete, anchored drywall, etc.
- Standard roll or reverse roll are available. Reverse roll may be needed to free shade path from obstructions, i.e. handles, locks, alarm sensors, moulding, trim, skirting, etc.

## QMotion UK Measurement Instructions (cont.)

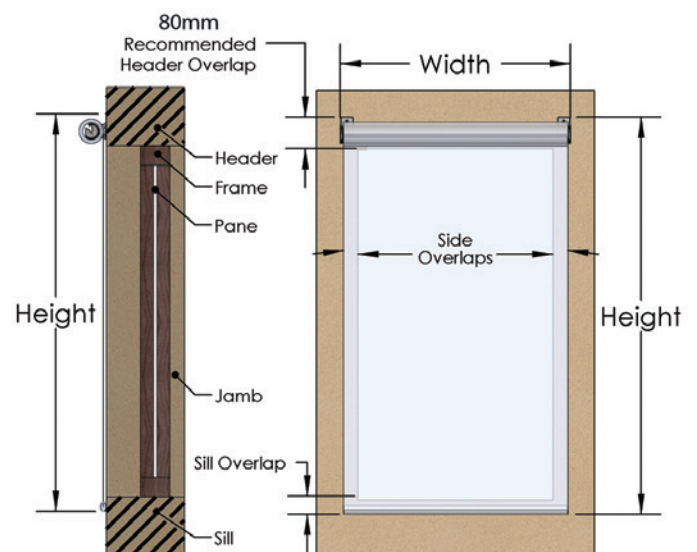
### Required order form measurements for **INSIDE MOUNT:**

- Use the top horizontal measurement for **TOP WIDTH**. This is outside of bracket to outside of bracket.
- Use the largest vertical measurement for **HEIGHT**.
- Measure and record **DEPTH**. Use the minimum distance from the outside of opening to the window including window mullions if they exist. This is important in determining if the shade and fascia will protrude into the room and out of the opening.



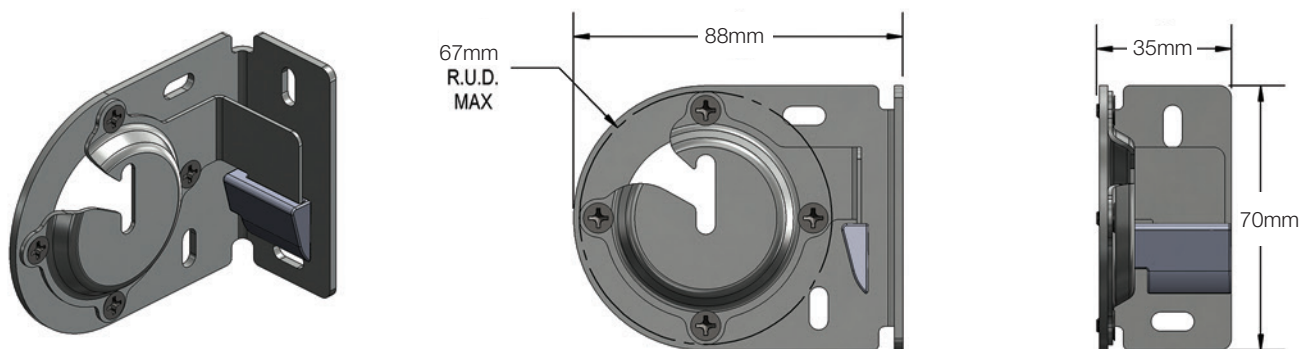
### Required order form measurements for **OUTSIDE MOUNT:**

- Determine **FABRIC WIDTH** based on largest horizontal measurement PLUS total desired side overlap.
- Minimum 38mm side overlap is recommended.
- Establish **WIDTH** dimension by adding 26mm to the **FABRIC WIDTH**. This is outside of bracket to outside of bracket. (Note: brackets extend beyond **FABRIC WIDTH** by 13mm on each side)
- Determine **HEIGHT** by adding 80mm to largest vertical measurement and desired sill overlap. Minimum 25mm sill overlap is recommended.

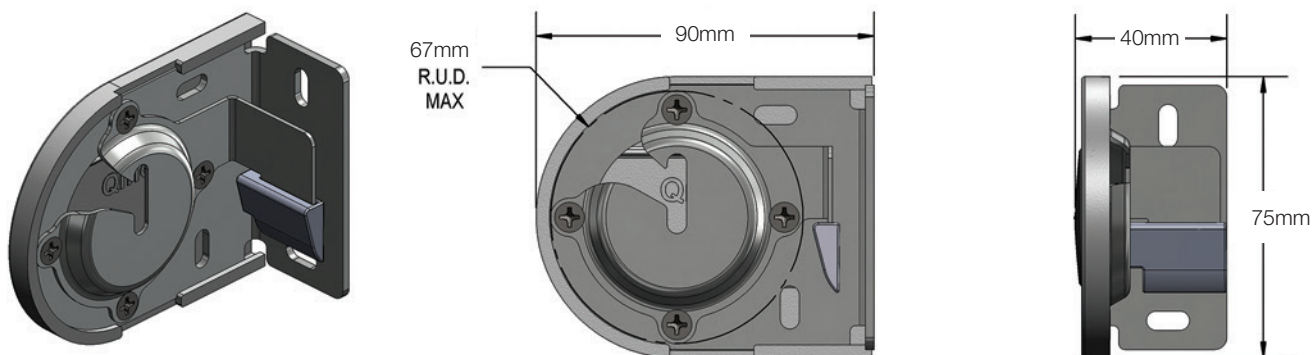


## Brackets (Universal Back/Face Mount)

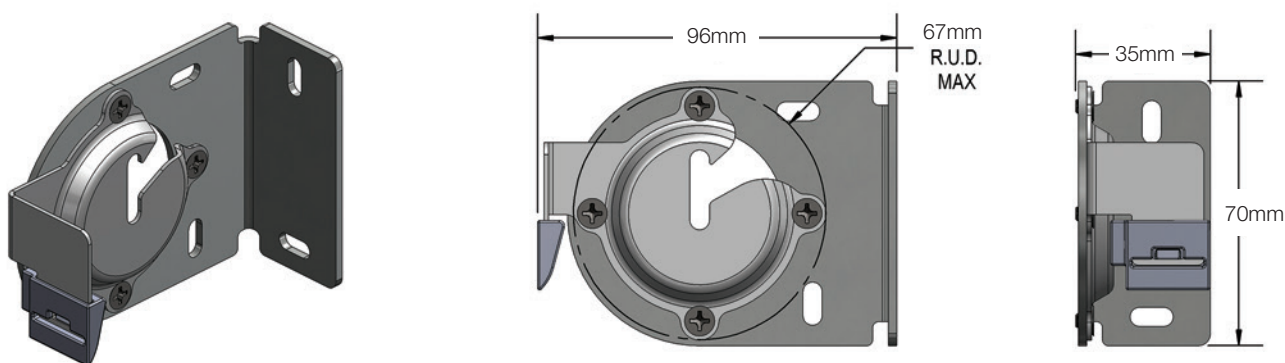
### 2.6 Universal Bracket Back/Face Mount, no Cover



### 2.6 Universal Bracket Back/Face Mount, Cover

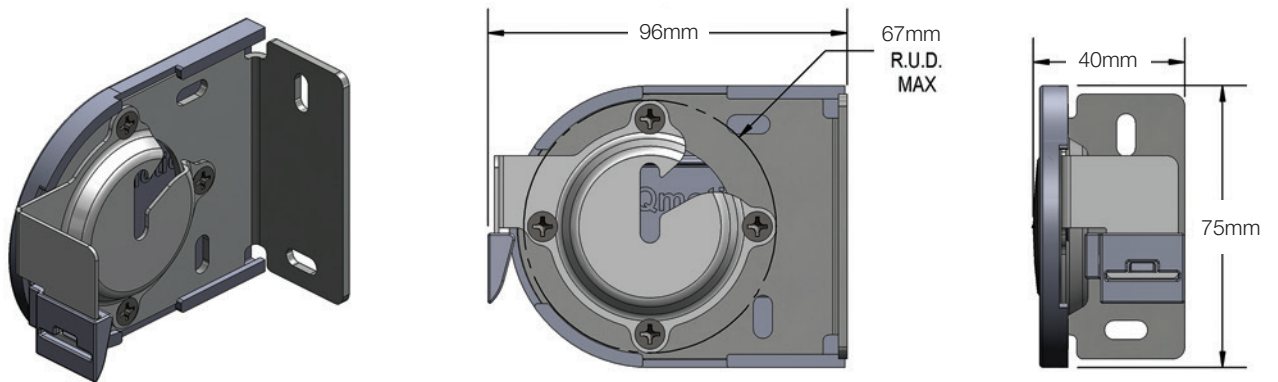


### 2.6 Universal Bracket Back/Face Mount, no Cover, Reverse

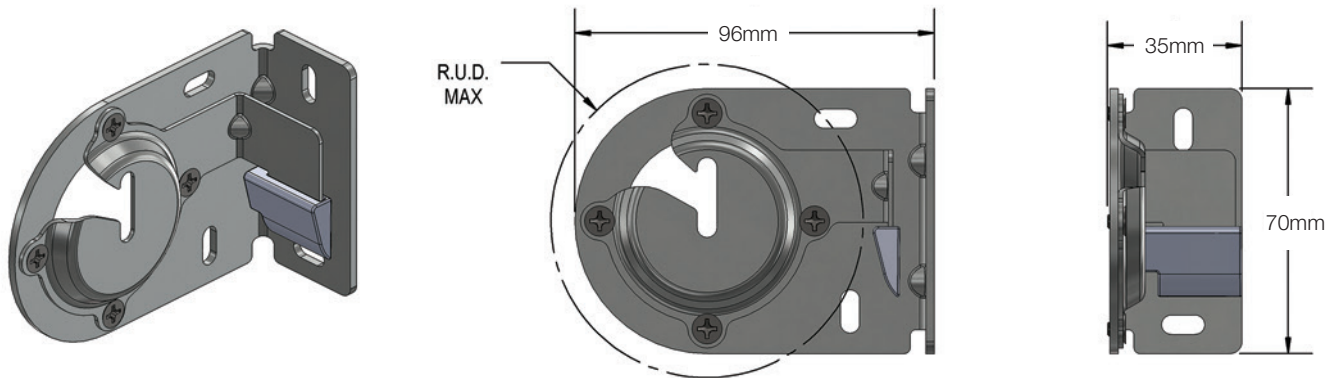


## Brackets (Universal Back/Face Mount)

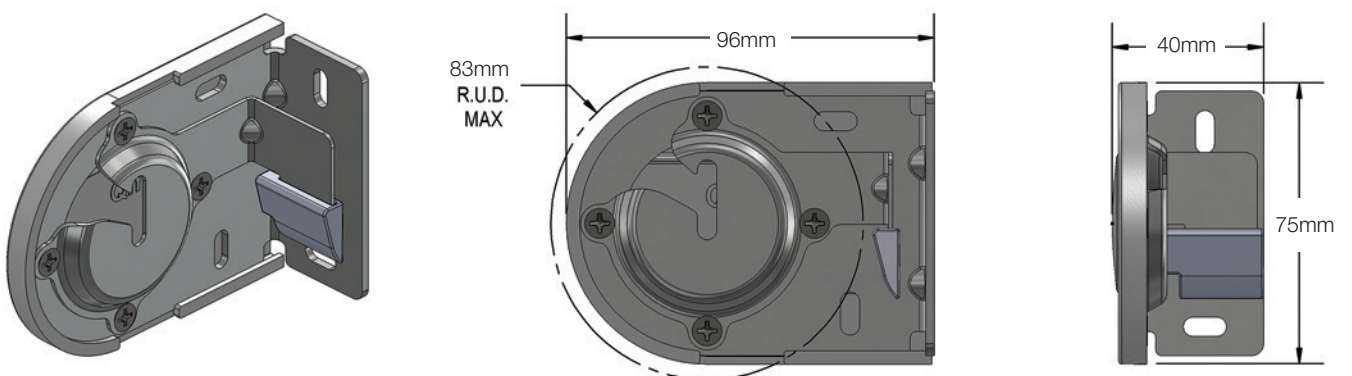
### 2.6 Universal Bracket Back/Face Mount, with Cover, Reverse



### 3.3 Universal Bracket Back/Face Mount, no Cover

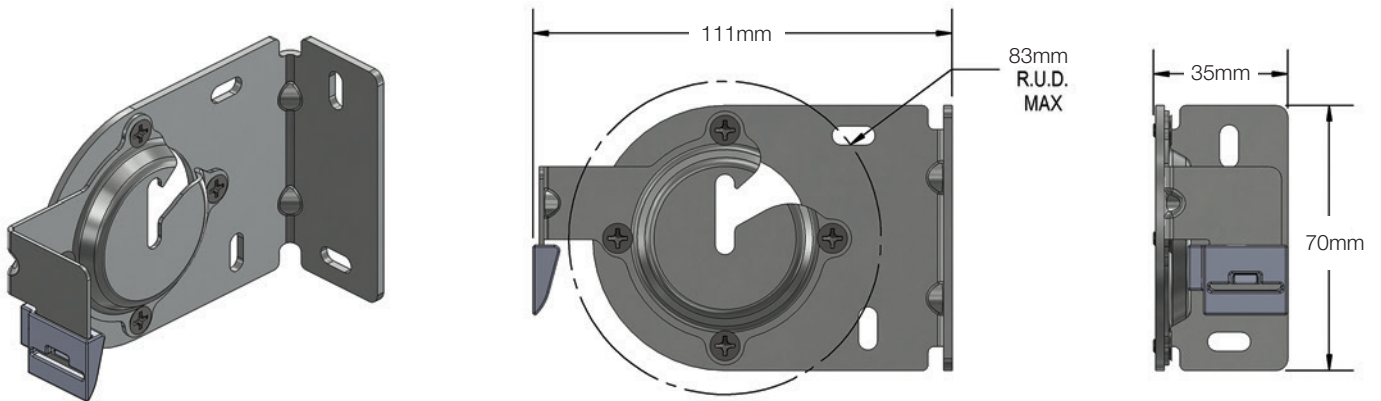


### 3.3 Universal Bracket Back/Face Mount, with Cover

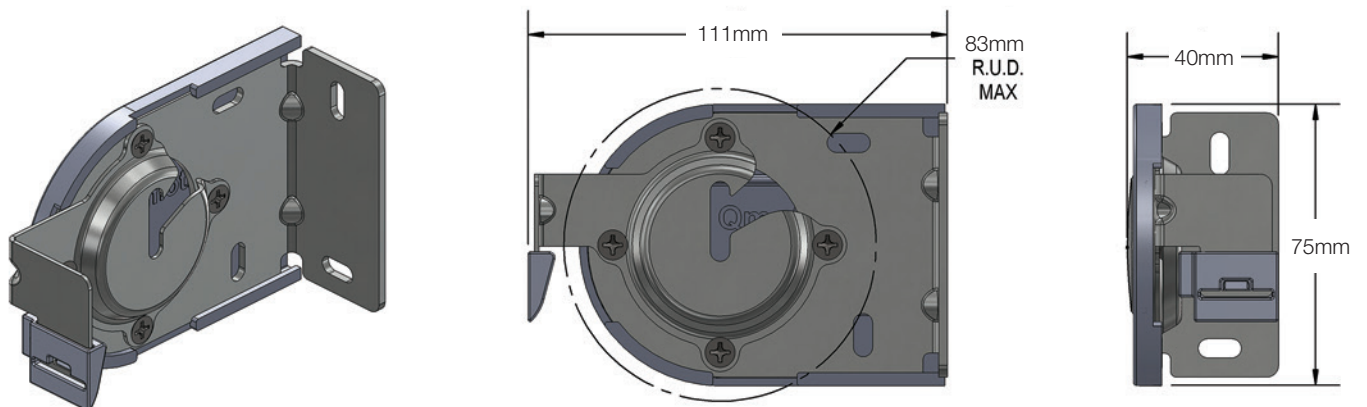


## Brackets (Universal Back/Face Mount)

### 3.3 Universal Bracket Back/Face Mount, no Cover, Reverse

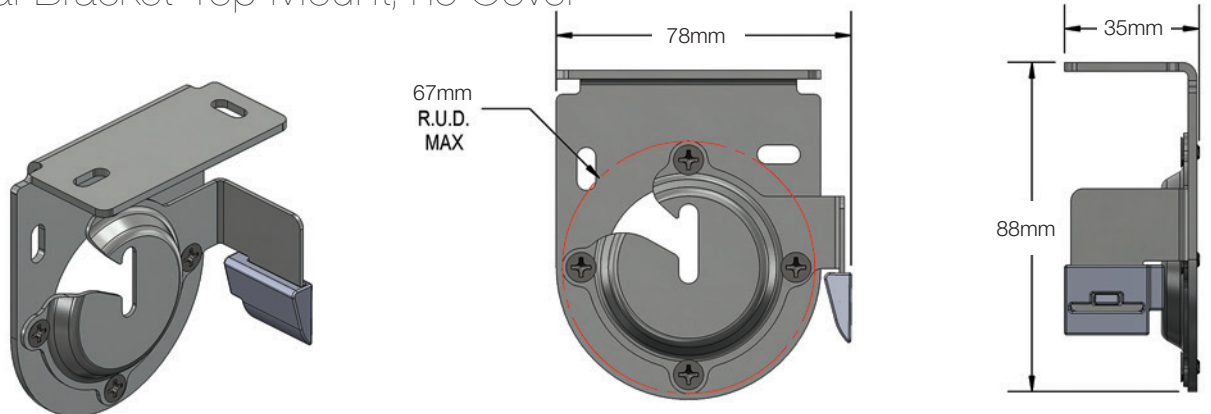


### 3.3 Universal Bracket Back/Face Mount, with Cover, Reverse

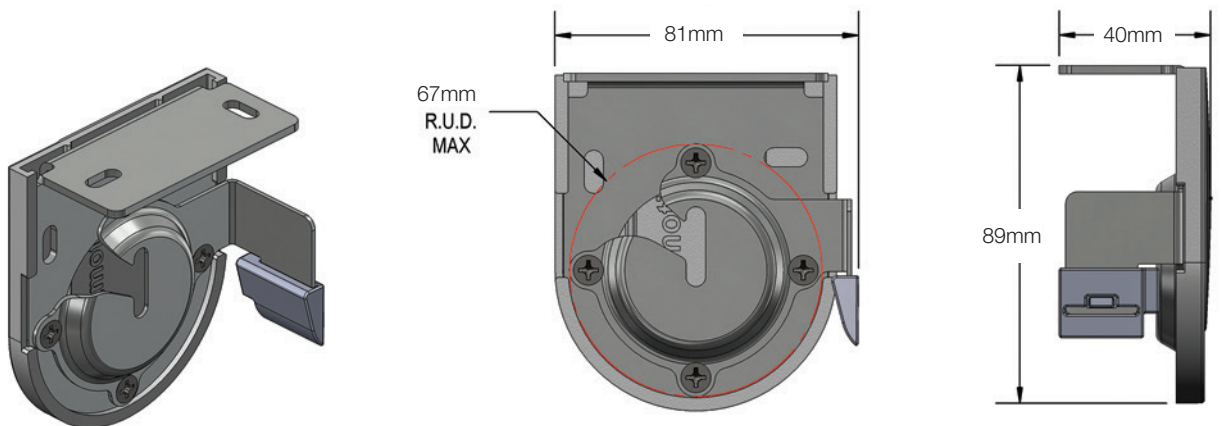


## Brackets (Universal Top Mount)

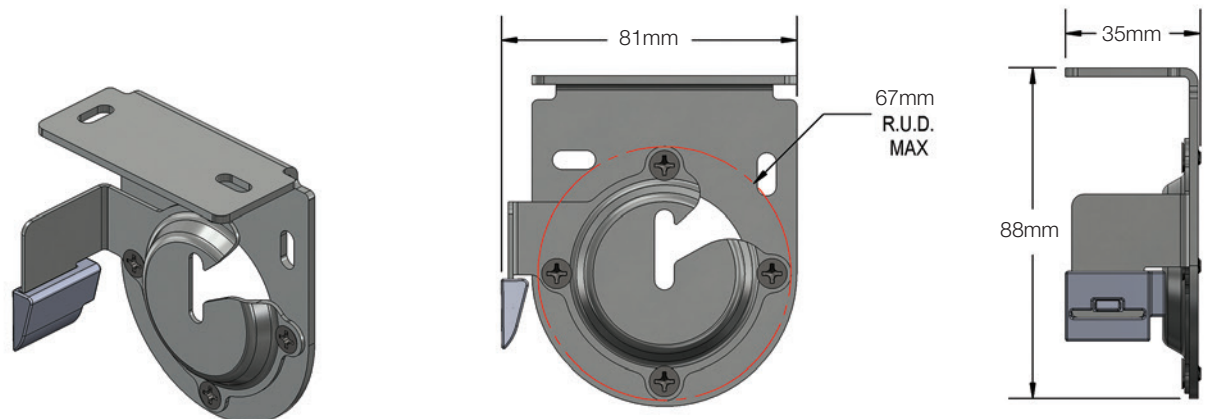
2.6 Universal Bracket Top Mount, no Cover



2.6 Universal Bracket Top Mount, with Cover

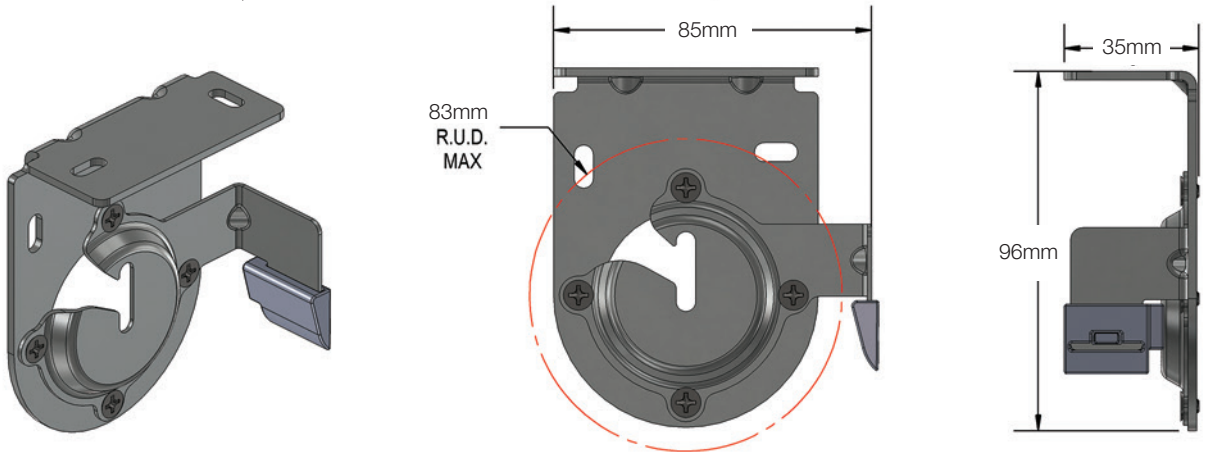


2.6 Universal Bracket Top Mount, Reverse Roll, no Cover

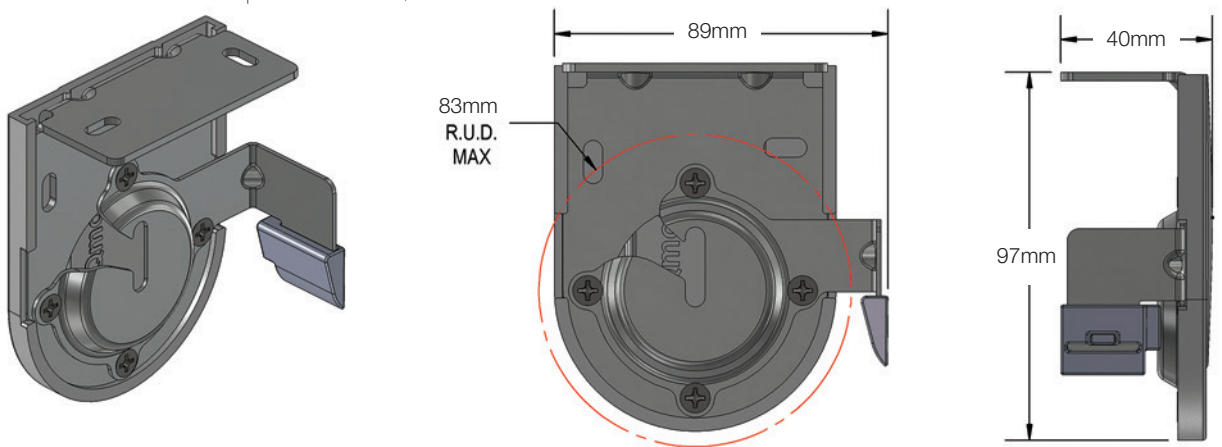


## Brackets (Universal Top Mount)

### 3.3 Universal Bracket Top Mount, no Cover

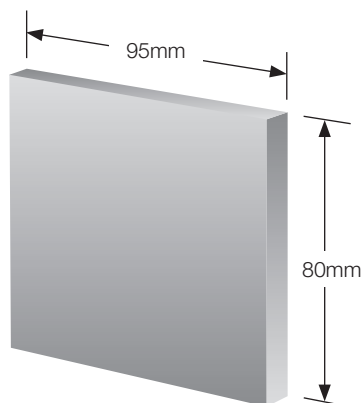


### 3.3 Universal Bracket Top Mount, with Cover

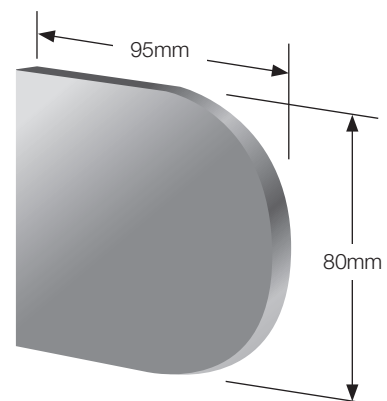


### Solid Aluminium Magnetic Bracket covers

#### Square



#### Rounded

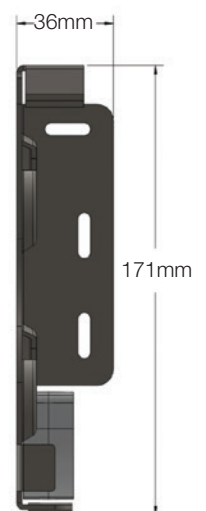
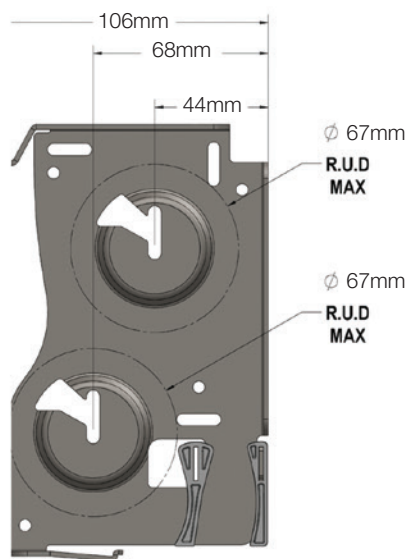
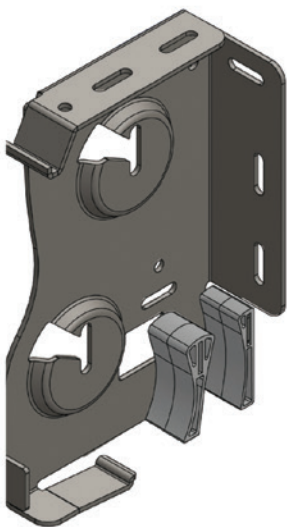
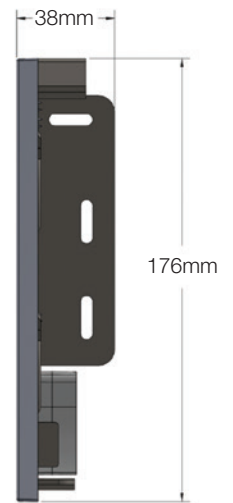
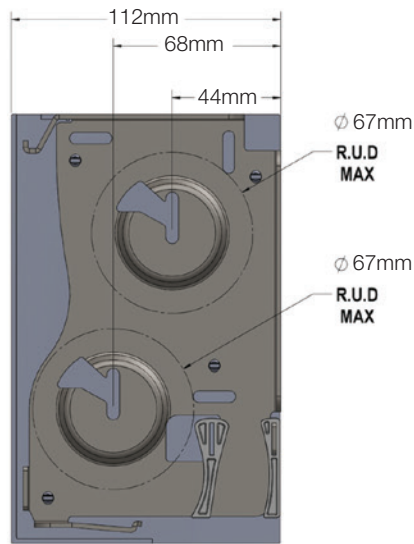
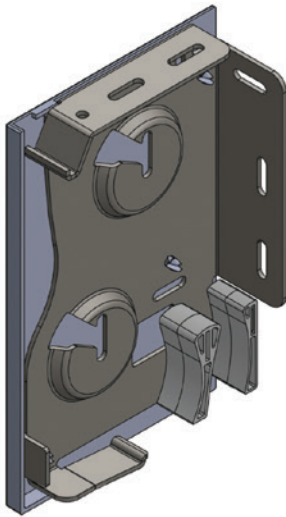


## Dual Brackets

Automated

### 2.6 Dual Bracket

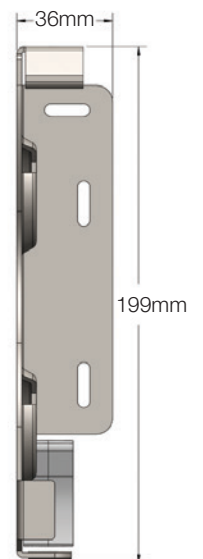
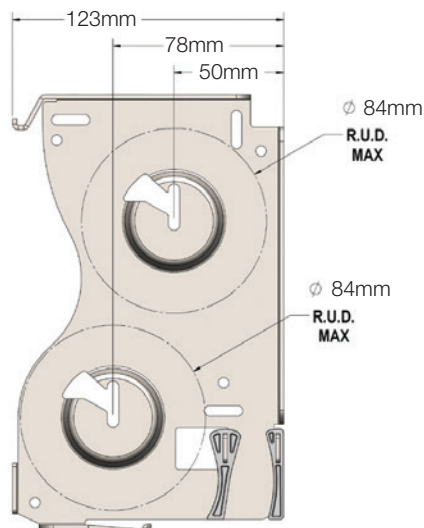
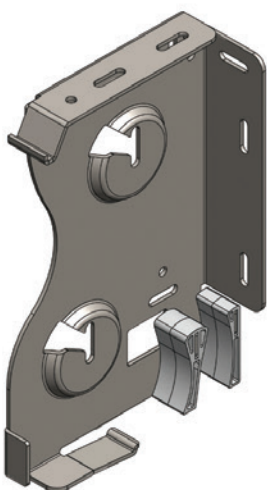
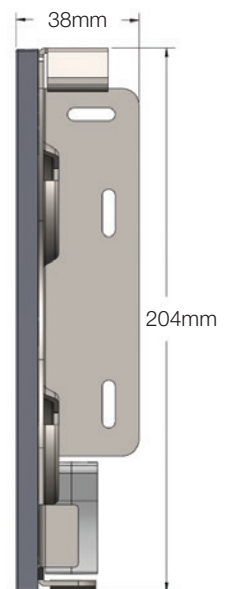
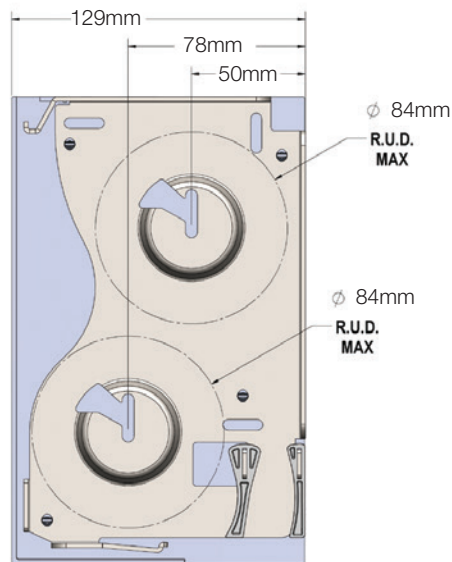
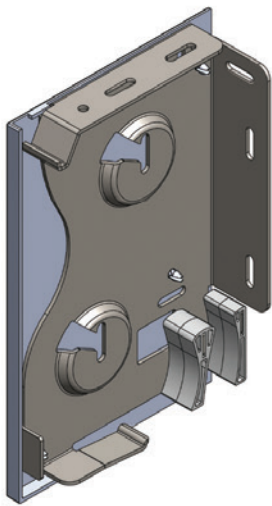
\*Standard roll application only



## Dual Brackets Cont. Automated

### 3.3 Dual Bracket

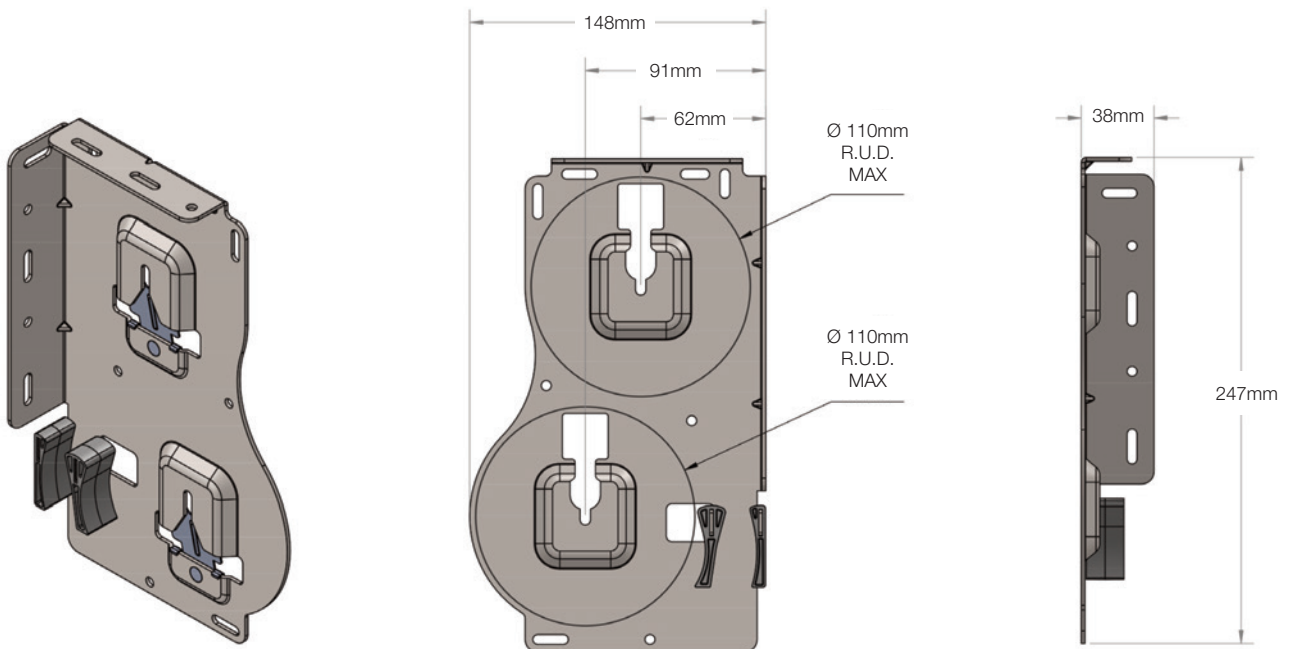
\*Standard roll application only



## Dual Brackets Cont. Automated

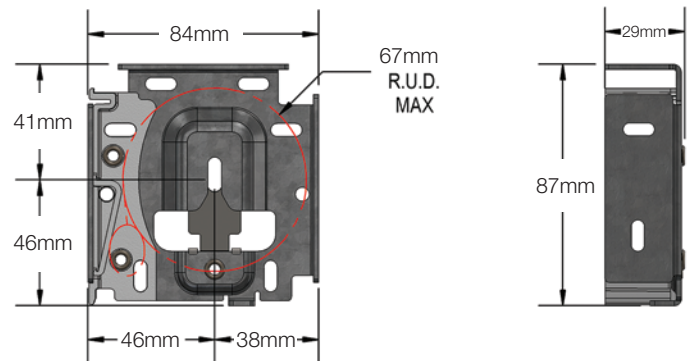
### 4.3 Dual Pocket Bracket

\*Standard Roll Application Only

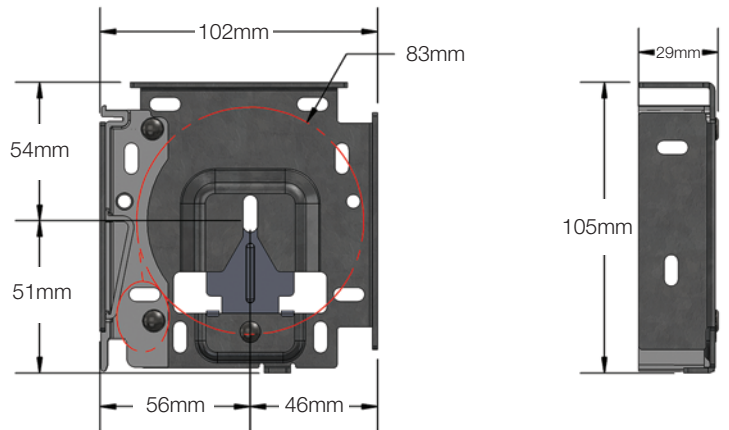


## Fascia Brackets

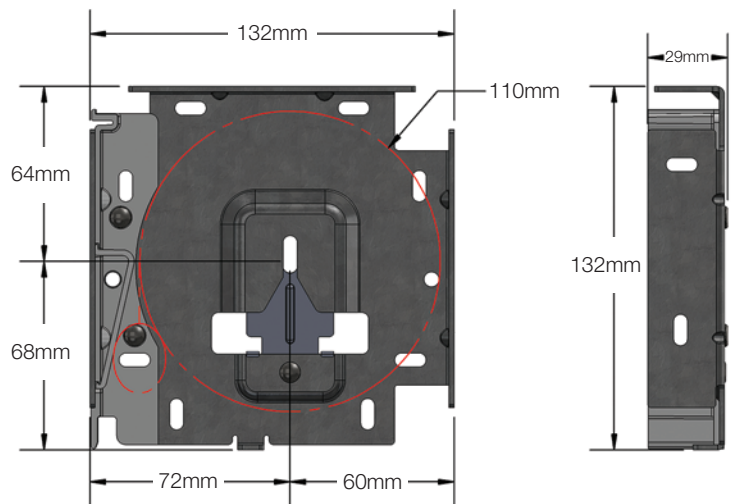
### 2.6 Fascia Bracket



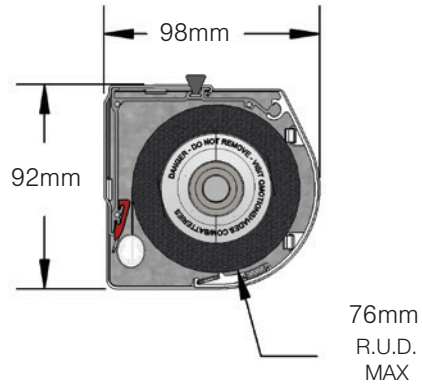
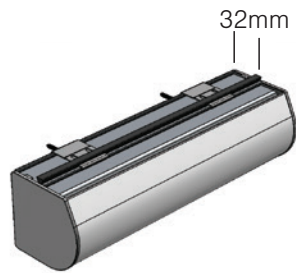
### 3.3 Fascia Bracket



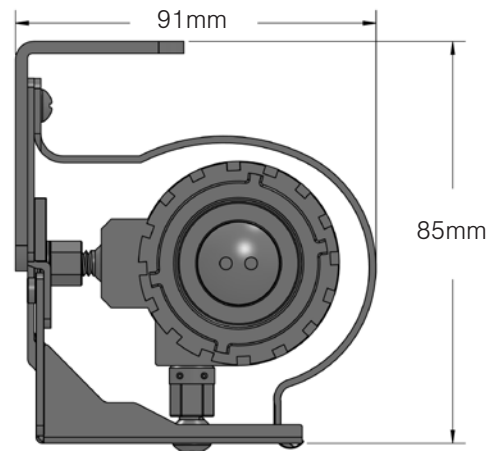
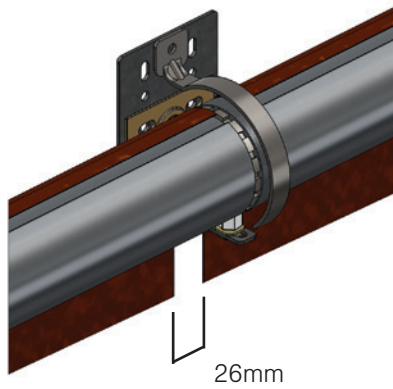
### 4.3 Fascia Bracket



## Cassette



## Qlink

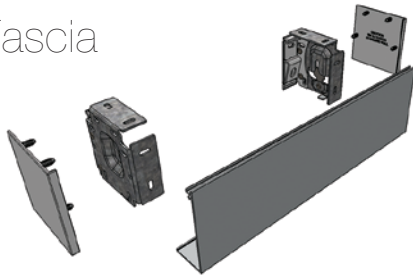


3.3 TOP MOUNT

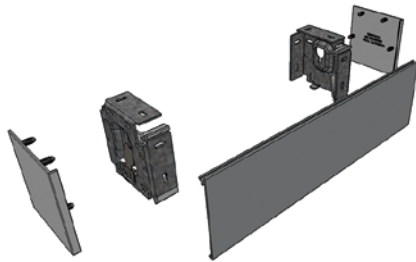
\* R.U.D. indicates the maximum likely diameter on the system. Check fabric charts for specific shade diameters.

## QMotion UK Fascia (2.6)

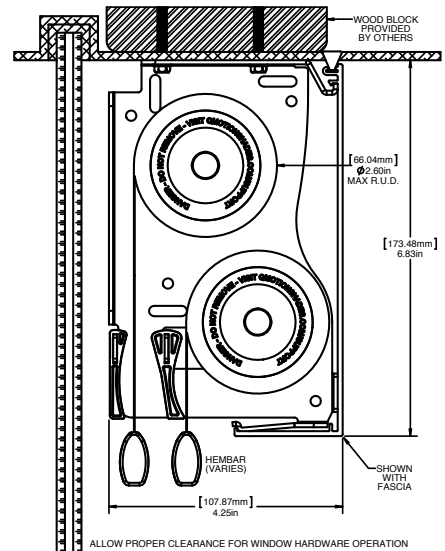
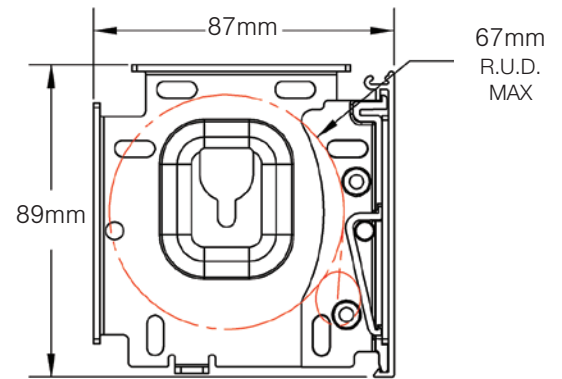
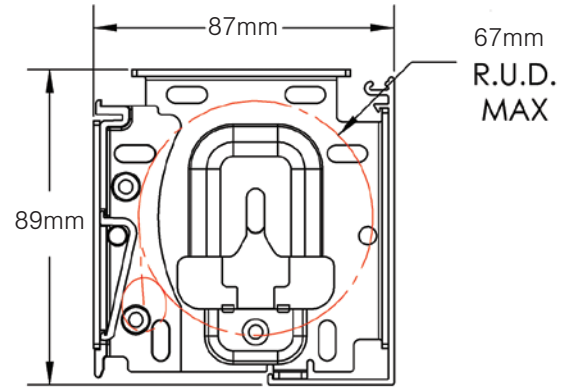
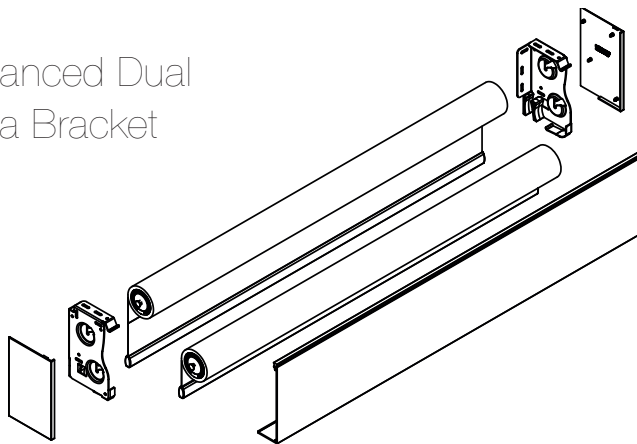
Standard Fascia  
Including end caps



Reverse Fascia  
Including end caps

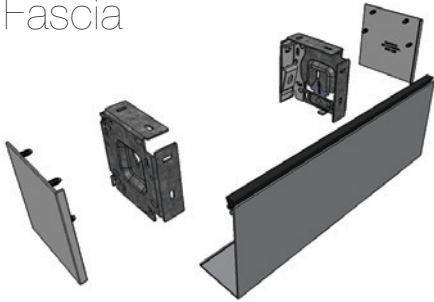


Qadvanced Dual  
Fascia Bracket

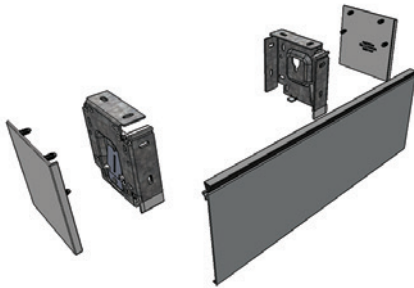


## QMotion UK Fascia (3.3)

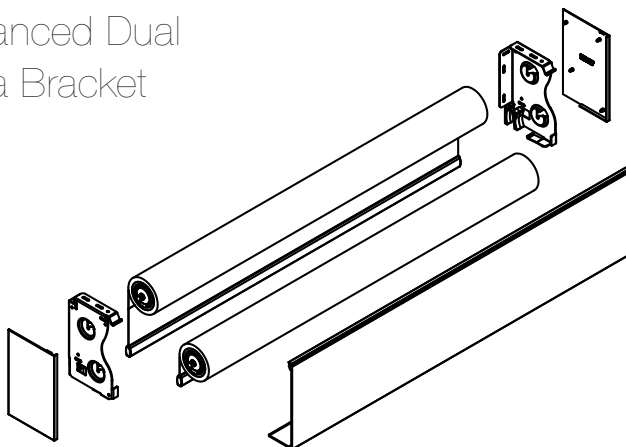
Standard Fascia  
Including end caps



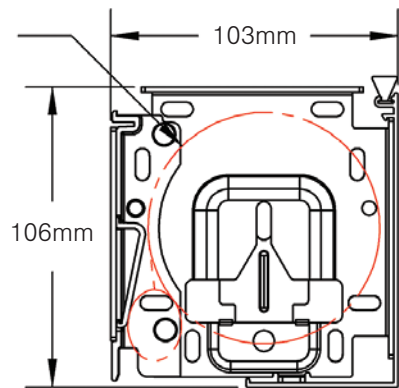
Reverse Fascia  
Including end caps



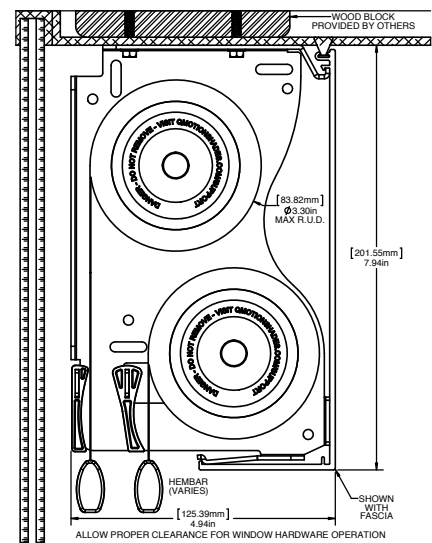
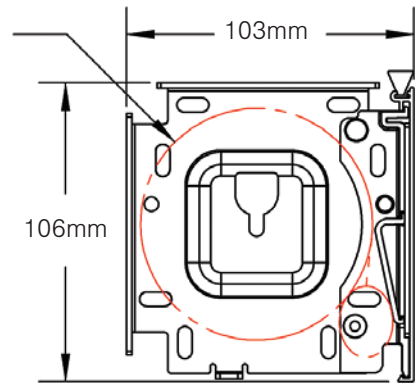
Qadvanced Dual  
Fascia Bracket



83mm  
R.U.D.  
MAX



83mm  
R.U.D.  
MAX



## Copyright Notice and Disclaimer

All rights reserved. No parts of this manual may be reproduced in any form without the express written permission of QMotion UK. QMotion UK makes no representations or warranties with respect to the contents hereof. In addition, information contained herein are subject to change without notice. Every precaution has been taken in the preparation of this manual. Nevertheless, QMotion UK assumes no responsibility for errors or omissions or any damages resulting from the use of the information contained in this publication.

QMotion UK is a trading name for Claxton QM Ltd.

## Environmental Statement

### RoHS COMPLIANT

### WEEE (Waste Electrical and Electronic Equipment) Statement

#### Disposal of Waste Equipment by Users in Private Household in the European Union

This symbol on the product or on its packaging indicates that this product must not be disposed of with your other household waste. Instead, it is your responsibility to dispose of your waste equipment by handing it over to a designated collection point for the recycling of waste electrical and electronic equipment. The separate collection and recycling of your waste equipment at the time of disposal will help to conserve natural resources and ensure that it is recycled in a manner that protects human health and the environment.

For more information about where you can drop off your waste equipment for recycling, please contact your household waste disposal service or the distributor from whom you purchased the product.

## Limited Warranty

QMotion UK, (the “Manufacturer”) warrants that this QMotion UK window shade product will be free from defects in materials and workmanship for 5 years, beginning from the date first sold to the commercial or residential consumer who has, or intends to, use the product, as evidenced by such consumer’ proof of purchase:

Exclusions From this Limited Warranty: This limited warranty shall be null and void and no part of it shall apply if any one of the following occur: 1) the product has not been properly installed by a qualified installer in accordance with all Manufacturer specifications; 2) the product has been subject to unauthorised service; 3) the product has been subject to mis-handling, misuse, or abuse; 4) the product has been modified; 5) the product has suffered damage resulting from lightning, power surges, vandalism, fire, earthquake, acts of nature, or any other cause which the product was not designed to withstand; 6) the product has been used, or attempted to be used, for other than the customary usage or for other than the product’s intended use; 7) the product has not been maintained; 8) damage to the product caused by battery decay or corrosion.

This Limited Warranty extends only to the original owner. This Limited Warranty is not transferable. This Limited Warranty does not cover normal wear & tear or deterioration which occurs with the passage of time.

Batteries originally provided with a new product, if any, are produced by a third party and are not warranted by Manufacturer.

No employee, distributor, dealer, agent or representative is authorised to change the terms of this Limited Warranty in any way, to extend the warranty time periods, or to grant additional warranties, and no attempt to do any of the foregoing will be binding upon Manufacturer.

IF THIS LIMITED WARRANTY COVERS A CONSUMER PRODUCT, AS DEFINED BY THE MAGNUSON-MOSS WARRANTY ACT, THEN NO WARRANTIES, EXPRESSED OR IMPLIED (INCLUDING, BUT NOT LIMITED TO, THE WARRANTY OF MERCHANTABILITY OR FITNESS FOR A PARTICULAR PURPOSE) SHALL EXTEND BEYOND THE APPLICABLE TIME PERIOD STATED IN BOLD FACE TYPE ABOVE. IF THIS LIMITED WARRANTY COVERS A COMMERCIAL PRODUCT, THEN THIS LIMITED WARRANTY IS IN LIEU OF ALL OTHER REPRESENTATIONS, GUARANTEES, OR OTHER EXPRESS OR IMPLIED WARRANTIES (INCLUDING, WITHOUT LIMITATION, THE WARRANTY OF MERCHANTABILITY OR FITNESS FOR A PARTICULAR PURPOSE) AND ALL SUCH OTHER EXPRESSED OR IMPLIED WARRANTIES ARE HEREBY SPECIFICALLY DISCLAIMED.

Claims for defects in material and workmanship covered by this Limited Warranty must be made in writing to the distributor from whom the product was originally first purchased within the warranty period stated above. Manufacturer may either send a service representative or have the product returned to Manufacturer's facility, at Buyer's expense, for inspection. If judged by Manufacturer to be defective in material or workmanship, and to otherwise be covered by this Limited Warranty, the product will be replaced or repaired at the option of Manufacturer, in its sole and absolute discretion, free from all charges except authorised transportation and replacement labour. Replacement labour, transportation costs, and any other costs or charges by the dealer, wholesaler, distributor, contractor, or installer are not covered by this Limited Warranty. Any replacement unit may be a model determined by Manufacturer to be equivalent to the defective model, or a product that has been factory refurbished. The remainder of original warranty period will apply to any repair/replacement unit.

THE REMEDIES OF BUYER SET FORTH IN THIS LIMITED WARRANTY ARE EXCLUSIVE AND ARE IN LIEU OF ALL OTHER REMEDIES. THE LIABILITY OF MANUFACTURER WHETHER IN CONTRACT, TORT, UNDER ANY WARRANTY OR OTHERWISE, SHALL NOT EXTEND BEYOND ITS OBLIGATION TO REPAIR OR REPLACE, AT ITS OPTION, ANY PRODUCT OR PART FOUND BY MANUFACTURER TO BE DEFECTIVE IN MATERIAL OR WORKMANSHIP AND OTHERWISE SUBJECT TO THIS LIMITED WARRANTY. MANUFACTURER SHALL NOT BE RESPONSIBLE FOR ANY DIRECT, INDIRECT, SPECIAL OR CONSEQUENTIAL DAMAGES OF ANY NATURE.

This Warranty gives specific legal rights and the Buyer may have other rights, which may vary from EEC State to State. However, some states do not allow limitations on how long an implied warranty lasts or the exclusion or limitation of incidental or consequential damages so the above limitations or exclusions may not apply specific buyers.



QMotion UK  
62 Alston Drive  
Bradwell Abbey  
Milton Keynes MK13 9HB  
United Kingdom  
UK Tel +44 (0) 1908 047 980  
[info@qmotionshades.co.uk](mailto:info@qmotionshades.co.uk)  
[www.qmotionshades.co.uk](http://www.qmotionshades.co.uk)