
Qmotion[®]uk
advanced shading systems

Product Guide
Roller Shade Collection



Contact

Address

PO Box 1168
Hedley Road
St Albans
Hertfordshire
AL1 9WY
United Kingdom
T: 0845 450 1606
e: info@qmotionshades.co.uk


Website

www.qmotionshades.co.uk
info@qmotionshades.co.uk

Phone

Customer Service Number: 0845 450 1606

Table of contents



Features.....	1
Options.....	2
Shade Information.....	3
Low Voltage Transformer Information.....	4
Shades.....	5
Qlink Shades.....	6
Mounting Brackets.....	7
Fascia.....	8
Battery Life & Range Expectations.....	9
Cassette Shades.....	10
Accessories.....	11
Controls.....	12
Wall Docking Stations.....	15
Customer's Own Material (C.O.M.).....	16
Measurement Instructions.....	17
Reference Information.....	19
Setting Hembar Position.....	20
Advanced Remote Settings.....	21
Brackets (illustrations).....	23
Cassette and Qlink.....	32
Fascia (illustrations).....	33
Copyright Notice and Disclaimer.....	38
Limited Warranty.....	39

Features

QMotion UK offers state-of-the-art natural light control with the following benefits:

Several different control options

- QMotion UK Shades offer the convenience of moving the shade up or down, stopping at any of the top, the bottom, three programmable intermediate stops, or anywhere in between; all with the ease of a button press.
- *Lost your remote? No problem!*
QMotion UK shades can be moved up or down manually with no remote control. Simply give the shade a gentle pull to get them started.
- *Interested in reducing your energy bills?*
The programmable timer remote can be set up to move your QMotion UK shade automatically. Automate your shades by time of day, day of week, sunrise, or sunset. Create six distinct settings and let the shades do the rest.
- *Want to control multiple shades with just one remote?*
QMotion UK multi-channel remote controls shades individually or groups of shades. Each channel can have an unlimited number of shades programmed to it.

Unmatched quietness

- QMotion UK engineers have developed a shade with whisper quiet operation for a beautiful and peaceful experience.

Distinctive designs

- Generous fabric collection of light filtering, decorative and beautiful blackout materials.

- Industry leading light gaps on the sides of the shades as small as 13mm gap on each side, providing the most uniform and highest level of window coverage.

Unparalleled simplicity

- QMotion UK automated shades are powered by a low voltage power supply, or an internal pack of standard D-cell batteries. Low voltage power can also be backed up, for uninterrupted operation.
- Our low voltage option allows shades to be powered either individually with a single transformer, we can also control multiple shades. Please contact QMotion UK for further information.
- Batteries can last up to five years or more, dramatically reducing maintenance cost and adding convenience (shade size and usage will determine actual battery life).
 - No cords
 - No electrician
 - No wires
 - No special tools



Options

QMotion UK advanced shading solutions allow for a customised experience.

The look you want

- QMotion UK shades offer *several choices of fascia or cassette* to conceal the top of the roller shade.

The design you need

- Shades come in *either standard roll or reverse roll*. Standard roll shades have the fabric rolling off the back of the roll, close to the window, while reverse roll shades come off the front of the shade roll, and are further from the window glass. Reverse roll may be a preference for design purposes, or may be needed to permit the shade to lower clear of window obstructions.

The number you want

- Our *dual shade system* allows users to choose a combination of two shades on the same window. Often used with a light filtering fabric in the front and with a room darkening fabric closest to the glass, QMotion UK dual shades are an excellent way to double treat a window in a small space.



The choice you prefer

- Transformer low voltage power supply is a wired power solution for those who want the benefits of QMotion UK automated shades with a connection to the properties electrical system. Available in a single unit, or one which can power and control multiple shades. Please contact QMotion UK for further information. Low voltage shades deliver all the benefits of QMotion UK technology.
- Battery powered QMotion UK Shades offer the same benefits as low voltage powered, and add the ability to install in difficult situations as well as function in the absence of an electrical supply. Because QMotion UK battery powered shades use an internal battery pack, there are no visible battery packs or wires to hide or see.

Customisation that's right for you

- Choose from our assortment of remote controls. Among the choices is our programmable timer control which allows for setting of times for unattended shade movement or our multichannel remote to control various shade groups from a single hand held transmitter. All transmitters fit on our magnetic wall docking stations, and may be secured in place using our wall station adapter.
- As our programming is simple, all shades arrive ready to "learn" to your remotes. A shade may be controlled by as many as 12 different transmitters.
- Combine groups and transmitters for your convenience. A channel can be for a single shade or a group of shades, and various groups can be programmed to suit the space.

Shade Information

Finally, the luxury and safety of automated shades, completely free of cords and wires, are accessible to everyone.

Order specifics

- Shades ship complete with brackets and batteries, as needed, ready to install.
- Shades may be specified standard or reverse roll.
- If desired, a 24v low voltage transformer power option may be specified.

Size limitations

- Minimum width 572mm with batteries, 420mm with low voltage power.
- Maximum width 3000mm.
- Maximum height 3500mm.
- Consult fabric tables for available fabric heights, widths and more specific size availability.

Roll size

- Roll up diameter or RUD is determined by the size of the shade and fabric chosen.
- Extra length of material will be added to the height of the shade in order to allow the fabric to wrap around the tube when fully rolled down.

Fabric orientation and size

- All shades ship with fabric oriented in the vertical roll direction from the mill.
- If a shade in a group is railroaded, you have the option to railroad all shades in the group to match.
- Railroading is available on select fabrics only.

Side gaps

- 13mm industry leading side gaps are uniform on each side of the shade. Fabric width will be 26mm narrower than the specified bracket to bracket dimensions.

Tube and hembar size

- Tube and hembar diameters vary depending on the height and width of your shade.
- Hembars are available in painted or fabric wrapped. Paint colours are white, sand, silver, bronze and black.



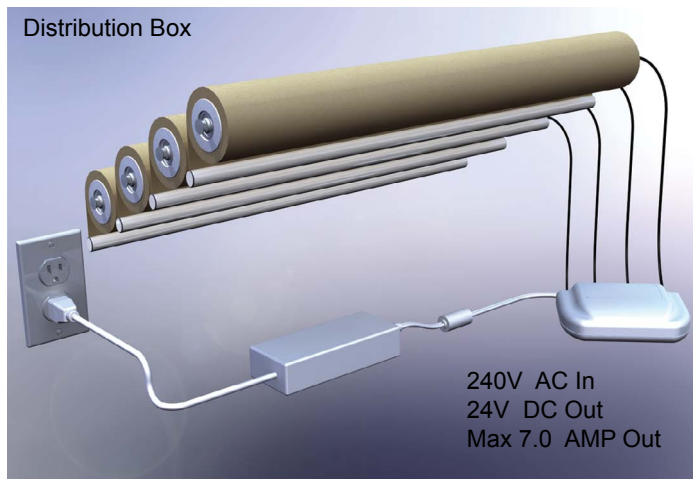
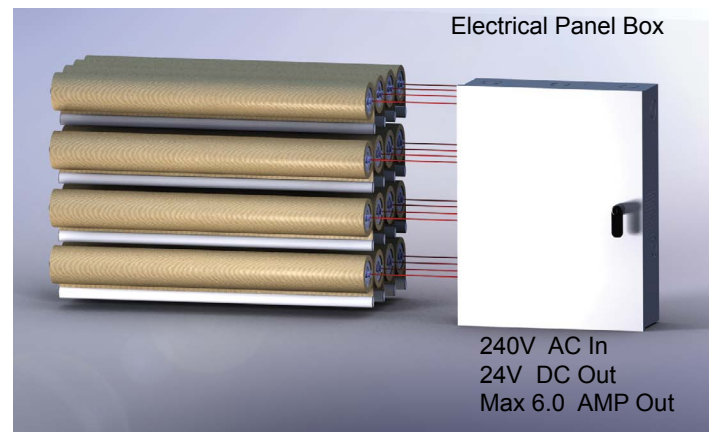
Low Voltage Transformer Information

QMotion UK Low Voltage shades offer all the same features of QMotion UK Battery powered shades, and are compatible with fascia as well as controls.

- Battery tube is replaced with transformer leads.
- Each shade comes with a 600mm wire lead.
- Tube is configured to convert low voltage into the proper level to power the shade.
- Power supply options are available to power one shade or multiple shades.
- The power supply can be at the header with the shade, on the floor near the shade or in an equipment room several hundred feet away from the shade.
- In Single Shade Option, a plug-in power supply provides 24v DC to the shade.
- Low voltage single shades are controlled with the same wireless RF remote as the battery option shades.
- With the Low Voltage Distribution Box the power supply is designed to distribute the appropriate power to as many as four shades.
- The power distribution panel can send power individually to multiple shades (please contact QMotion UK for further info). The panel also provides protection against short circuit or overload to individual shades.

- The system allows for shades with varying voltage requirements to work together.
- QMotion UK Low Voltage shades continue to offer the unique and patented manual override system.

**All QMotion UK Low voltage power systems may be attached into a customer supplied battery back up system, in the case of a site power event.*



Wire Gauge Requirements

QMotion UK does not supply the wires from the transformer to the shades. Recommended minimum wire gauge requirements for distances between power supply and shade or distribution box and shade are as follows for the required 2 conductor cables.

Distance of Cable (mtr.)	Minimum Cable Size Required
0-90	0.75mm
90 - 150	1mm

***Table based on use of a 24v DC power supply.*

***Consult a qualified Electrical Contractor for their guidelines on correct cable installation.*

Shades

The design of QMotion UK delivers a simple, sophisticated automated shade that offers both ease of use and dependability.

Easy Battery Replacement - By placing the access port for the batteries in the shade tube wall, you can now change the batteries without having to remove the shade from the brackets. The battery life is up to 5 years, depending on shade size and usage.

Easy Fabric Removal and Installation - A snap-on spline is attached to the fabric and can be pulled off and snapped on to the shade tube. The spline that attaches the shade to the tube permits the roller shade to be easily removed for cleaning, maintaining and sanitising OR replacement of the fabric altogether. Demounting the tubes or brackets for cleaning is unnecessary.

- Low voltage wired shades can accommodate left or right side connection.
- Longer battery life.
- Extended range and enhance responsiveness to transmitters.
 - 9 metres or more in most applications (each installation is different, and environmental factors may effect results.)
- Improved functionality with remotes.
- Advanced electronics are designed to be more responsive and durable.
- Improved programming ease.

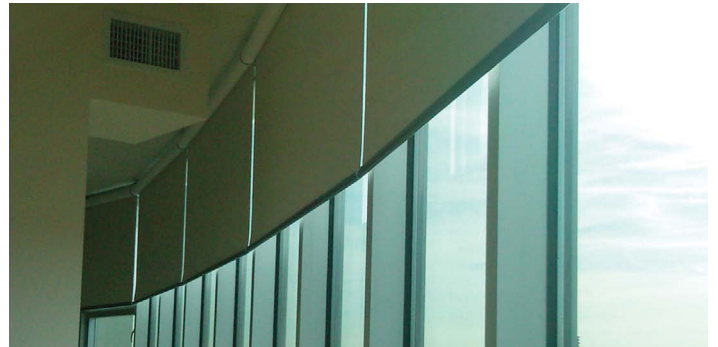


Qlink Coupled Shades available early 2014

Qlink

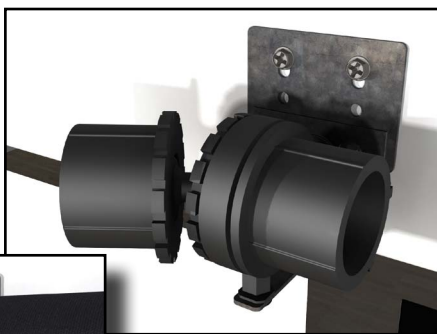
By using the Qlink coupling system, shades can cover spans as wide as 9 metres with a single motor. The linked shade's unique coupling system supports 19mm minimum light gap and angles up to 40 degrees.

- Multi-window covering up to seven bands without wiring, or use our low voltage system.
- Manual override option - shade can be operated manually at all times.
- Shades retain long battery life.
- Adjustable installation brackets for proper shade leveling.
- All other QMotion UK features and benefits continue to apply.
- Cover with QMotion UK automated fascia.
- Qlink coupled shade mounting brackets are compatible with standard QMotion UK mounting brackets and independent fascia.
- For inward facing angles (like bay windows), light gap can be smaller by using a reverse rolled system.



Ordering Information

- Standard roll has motorised shade on left.
- Reverse roll has motorised shade on the right.
- All shades must use same fabric.
- The shades must have same height.
- Choose either White or Black for Qlink.
- Choose straight or select the adjustable angle bracket for angles of up to 40 degrees.
- Bracket enables adjustments for height and depth.
- "Sprung shade" refers to the opposite end from the motorised shade.



Battery Decreased Life	
Straight	0%
Max Angle	15%

Total Shade	
Minimum Battery Shade Width	810 mm
Minimum Low Voltage Shade Width	431 mm
Minimum Inner Width	431 mm
Minimum Inner Sprung Width (application dependent)	431 mm
Minimum System Width	1244 mm
Minimum Number of Panels	2
Maximum System Width	9 metres
Maximum Height (see fabric tables)	3048 mm
Battery Available	Yes
Low Voltage Available	Yes
Fascia Available	Yes
Light Gap When Straight	19 mm

Mounting Brackets

Elegant fabrics, clean lines and modern finishes create natural beauty for every window.

Seven styles

- There are seven different mounting brackets offered depending on application requirements:
 - 2.6 Universal
 - 2.5 Dual Shade
 - 3.3 Universal
 - 3.7 Dual Shade



- The numerical designation represents the maximum size roll diameter the bracket can support. 2.6 brackets accommodate roll sizes from 50mm - 67mm. 3.3 brackets accommodate roll sizes from 68mm - 83mm.

Roll size guidelines

- Roll size is determined at the time an order is quoted and is dependent on material thickness, and the height of the shade. Fabric listing tables provide the maximum shade height for 2.6 brackets and 3.3 brackets depending on fabric type and width of shade.

Default brackets

- Non-fascia shades ship with universal brackets.
- Outside mount shades ship with outside mount brackets.
- Pocket applications are best served with our fascia.
- Dual shade applications ship with dual brackets. 3.3 universal bracket is shipped for all outside mount applications with roll diameters greater than 67mm.
- Verify bracket dimensions in the space where the shades will be installed. If the brackets can fit, then the shade will fit, be installed and adjusted with ease.

Reverse roll brackets

- All brackets are engineered to accommodate both reverse and standard roll.

Fascia compatibility

- All brackets are compatible with fascia treatments.
- CAD data in dwg and pdf format is available at www.qmotionshades.co.uk



Fascia

Fascia will add a special finishing touch.

Including fashionable, colour co-ordinated fascias will enhance both the form and function of your QMotion UK Shades. Easily mounted either inside or outside the window width, fascias attractively conceal the shade system while adding to the light protection your shades were designed to provide. So they are attractive and practical, all in one.

- Choose from five standard colours: White, Silver, Sand, Bronze, and Black.
- All fascia orders include colour co-ordinated endcaps.
- All fascia include an integrated light-blocking strip at the top for full finish and optimal light management.

Pocket Closure

- To conceal the lower front of a pocket installation, Qmotion UK offers the Pocket Closure system
- This simple two part system installs easily, and conceals the underside of installed shades.
- Sections are cut to size, and are available up to 3810mm in length. The closure sections are available in either 50mm or 75mm depths, for the best possible match in design.
- Available in white only.



Battery Life and Range Expectations

QMotion UK Shades offer the longest battery life in the industry.

QMotion UK Shades lead the industry in battery life

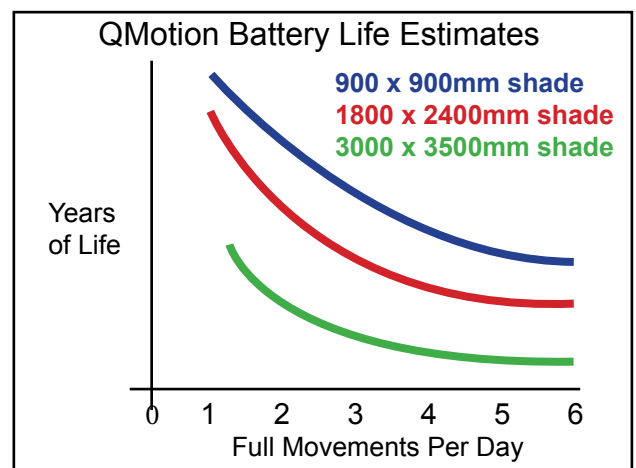
- Our shades use D size alkaline batteries, while others use AA batteries which have a fraction of the capacity. D size batteries have 7 to 8 times the capacity. We have patented the technology to put the batteries inside the tube, providing superior aesthetics with no power wires or antenna showing.
- While balance is important, most shades are not moving most of the day. The shade must be ready to accept a command 24/7, that means the shade must be awake and listening for your commands at all times. QMotion UK shade engineers have painstakingly designed software and hardware that minimise battery usage when the shade is not being used. Our technology stretches battery life, resulting in industry leading time between battery changes.

Distance from shade to be controlled

QMotion UK transmitters are expected to work from up to 9 metres away. While your individual results will vary, and may be less in some environments, many customers have reported even better results.

The QMotion UK Timer Remote is a special function device and under FCC guidelines may not transmit at the same power as others. Range for this is typically over 3 metres.

- QMotion UK uses patented techniques to manage the weight of the shade as it is lowered. Because of this, it takes very little energy to run our shades up and down, meaning very low usage of the batteries.
- Battery life is dependent on shade usage and shade size. Larger shades, when used more, will have lower battery life expectancy when compared to smaller shades used less frequently.
- The graph below indicates the relative battery life of different sizes of shades and different amounts of usage of each.



We recommend the use of a Qrelay when the transmission range of a device is not sufficient.

Transmitter	Normal (mt)
Single Channel	9 metre
Multi Channel	9 metre
USB Timer	3 metre
Qconnect	15 metre
Qrelay	9 metre

Remember each installation is unique, height of the window, interference and other factors may effect this expectation.

Cassette Shades

QCassette

QMotion UK motorised Cassette Roller Shades are powered by the same innovative battery saving technology used in all of our roller shades. This Cassette was designed for a soft elegant look with easy installation in mind.

- Fully enclosed shade system covers top and back with aluminum, and shade rises fully into cassette.
- Installation of this single shade cassette is literally a “snap” with simple spring clips needed.
- Light blocking wool pile integrated into the top for more complete finish and better light management.
- Curved front cover design.
- Co-ordinated front cover in 5 standard laminated colours. White, Black, Bronze, Tan and Silver.
- Painted or fabric wrapped hem bar.
- Easy access to batteries in the shade tube through pivoting front cover.
- Works with all QMotion UK controls.
- Available on shades up to 3000mm wide x 3500mm drop, with limited fabric exceptions.
- End covers included with all cassette systems.
- Compatible with Low voltage as well as battery QMotion UK Automated shades.



The QMotion UK Cassette is formed of two extruded parts. The top and back extrusion is a durable structural aluminum, designed to mount securely and retain the QMotion UK system. The face plate is a laminated vinyl material engineered to be durable and attractive, while making installation and battery changes simple.



Accessories

Finishing touches for a beautiful QMotion experience.

Aluminium Fascia

- Fascia is available in any of the 5 standard colours. (White, Silver, Sand, Bronze, Black).
- All fascia includes light sealing white or black colour wool pile to further assist in light blocking on the top of the shade.
- To ensure proper fit and function, inside mount fascia are cut 2mm less than the top window width. Outside mount fascia are cut 6mm larger than the bracket to bracket dimensions.
- For applications when fascia depth does not meet the minimum depth requirements, please contact your customer care representative for fit and finish options.



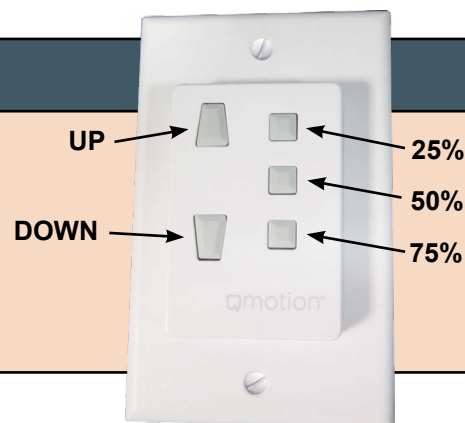
Fascia endcap options

- Fascia endcaps provide a clean look to the sides of the fascia on outside mounts or when the fascia extends out from the window frame on inside mounts.
- Endcaps are colour co-ordinated with fascia.
- For inside mount applications, if fascia extends beyond opening, endcaps may be cut in the field for custom fit.
- For inside mount applications, where window opening depth exceeds shade and fascia depth, no endcaps are needed.
- Endcaps extend 2mm beyond fascia.

QMotion UK Controls

QMotion UK Single Channel 5 Button Remote

- 5 buttons to support up, down, 25% 50%, 75%
- Magnetic back for simple storing to wall plates
- Controls unlimited number of shades in a group
- Normal remote range: 9 metres



QMotion UK Programmable Timer Remote

- Programmed automated settings in addition to the single channel 5 button remote controls
- Low transmission power, must locate close to shades or Qrelay
- Supports as many as 6 events
- Windows PC programmable
- Time of day, days of week, sunrise/sunset settings
- Normal remote range: 3 metres



QMotion UK Multichannel Remote

- Up to 6 individual or group settings
- All shades programmed to a multichannel remote are controlled together with an "ALL" button on same remote
- Supports up, down, 25%, 50%, 75% actions
- LED light feedback
- Motion activated zone indicated when remote is moved
- Normal remote range: 9 metres



QMotion UK Qconnect

The Qconnect Interface is a bridge between our language and most building or home automation systems. With drivers for many popular systems, and easy programming tools, clients can easily drive QMotion UK Automated shades with their new or existing control systems.

- RS-232 serial
- RS-485 serial
- Dry contact interface
- 15 channel
- 9v DC power supply or power over CAT 5
- Desk or wall mountable
- Normal remote range: 15 metres

Qconnect is compatible with:



QMotion UK Qrelay

Each installation is different, and environmental factors may have an effect on transmission. In some cases, a Qrelay may be helpful in improving signal reception. To consider in advance, if a room is over 3650 x 3650mm, or a shade is 9 metres from where it would be controlled, the Qrelay is recommended. As these dimensions increase, the Qrelay will become increasingly helpful, and spaces significantly larger may even benefit from more than one Qrelay.

- Extends range of all QMotion remotes.
- Use as many as required in an installation (no limits)
- Powered from a wall outlet or from a powered USB port
- Two modes of operation "Zone Specific" and "Echo"
 - Zone specific mode allows individual remotes to be learned to the repeater
 - Echo mode repeats all valid Qmotion remote commands
- Normal remote range: 9 metres



QMotion UK Qsync

QMotion UK Smartphone Application “App” Features:

- Control QMotion® UK shades with iOS or Android mobile devices.
- Virtual Shade: Drag your finger to place the shade to the desired positions
- Connects automatically to Wifi* and Bridge. “Plug and Play”
- Channel System to name, take and set reference photo to group shades.
- Step by Step setup for learning, setting lower limit, and deleting shades
- Control nearly 500 shades or groups from each Qsync
- TCP/IP to 433Mhz bridge

**(Automatic Wifi Connection not available on iOS)*



QMotion UK Hembar Activation

QMotion UK Shades incorporate a patented and unique tug features that allow the shade to open with just a short tug, or be lowered without the remote.

Tug the hembar less than 25mm

- Shade opens to next highest preset position
(example: shade moves from 75% to 50%)

Tug the hembar downward between 25mm - 50mm

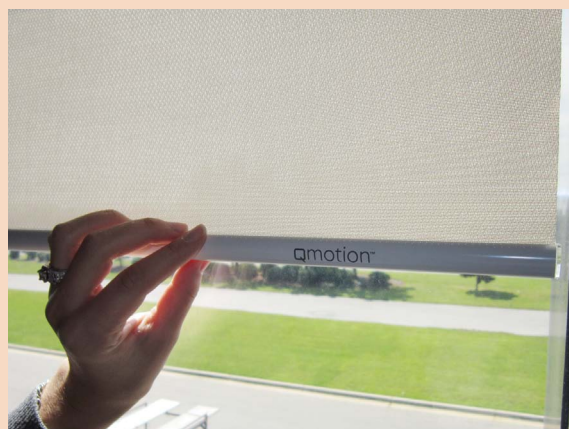
- Shade moves to full open

Tug the hembar MORE than approximately 50mm

- Shade remains at position stopped until pulled or sent up with a remote

Two successive tugs MORE than approximately 50mm

- Shade moves to full open



QMotion UK Wall Docking Station

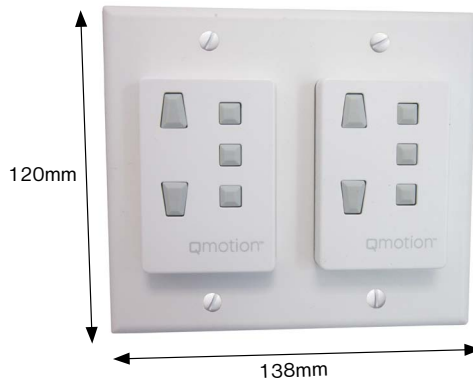
For the convenience of the user, consider QMotion UK Wall Docking Stations. Available in Single, Double or Triple gang versions, these wall plates are built to install on a wall as a place to retain the transmitters used in a project. Remote controls hold in place on the Docking Station via a strong magnet, and allow the remote controls to be used as a wall switch for a third level of control for the shades. Wall plates are flush mounted and do not require routing a hole in drywall or other mounting wall finishes. For public spaces, or other places where a remote should be “permanently” attached to a wall, our Wall Station Adaptors mount around the remotes, making them virtually impossible to remove without a screwdriver.



Single Wall Station



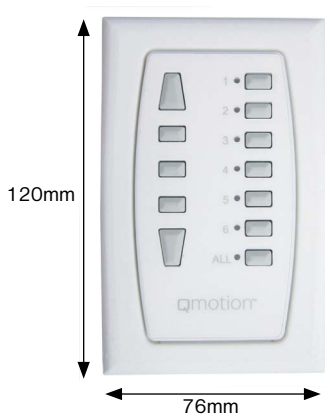
Double Wall Station



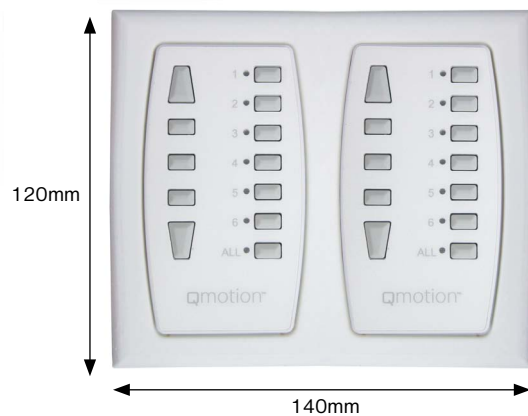
Triple Wall Station



Multichannel-Single



Multichannel-Double



Wall Station Adaptors



Customer's Own Material (C.O.M.)

In circumstances where the QMotion UK Shades fabric assortment is not similar to a desired material, customers may supply the fabric for the shade, and QMotion UK will manufacture the shade using this material. Often this is not using roller shade fabric and performance will vary with the type of finish of the fabric. Please verify with your fabric supplier that the fabric can perform properly on a flat roller shade.

For a nominal fee of £50 (non refundable) a distributor can get a COM material qualified. To qualify COM material, the distributor must supply the following information to a QMotion UK Customer Service Representative: 1) Fabric specifications (weight & thickness) and 2) A 500 x 500mm sample material shipped to PO Box 1168, Hedley Road, St Albans, Hertfordshire, AL1 9WY. Note: Quotes using a COM material are not valid until qualified and approved by QMotion UK engineers. QMotion UK reserves the right to decline any COM material that does not meet quality specifications. All fabric must be shipped to us in ready to use condition, as we will not inspect for quality. Contact our Customer Care Team for material and testing requirements.

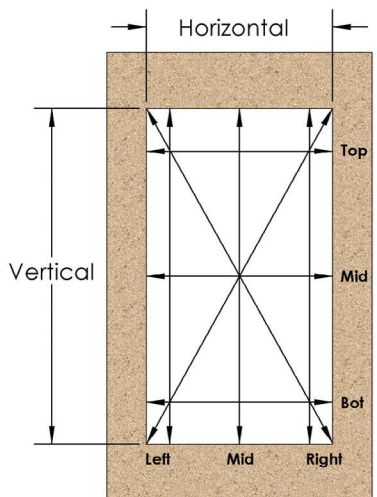
Special Ordered Material (S.O.M.)

In cases where customers desire a material from a supplier of roller shade fabric. This may be colours of our standard styles which are not stocked, or styles from other major suppliers. Please consult with your QMotion UK Customer Care Representative for information about specific fabrics, including pricing and lead times.

Note that in the case of both C.O.M. and S.O.M., there are extended lead times due to inbound freight and production scheduling.



QMotion UK Measurement Instructions



Opening Measurements

Inside Mount

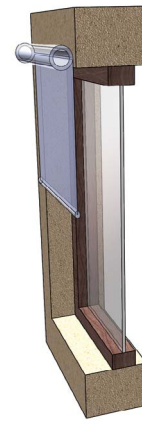


Standard Roll Direction

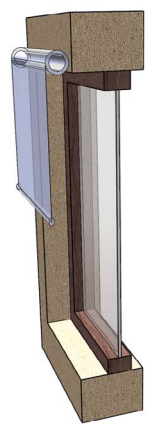


Reverse Roll Direction

Outside Mount



Standard Roll Direction



Reverse Roll Direction

Measure and assess area to be covered:

- Measure opening to be covered vertically and horizontally in three places.
- If vertical measurements vary more than 13mm we recommend an outside mount.
- If horizontal measurements vary more than 13mm we recommend an outside mount.
- Measure and compare diagonals to determine if opening is square.
- If corner to corner diagonal measurements vary more than 13mm we recommend an outside mount.
- Use a level to determine if opening is plumb and square.
- If out of square or out of plumb by more than 13mm we recommend an outside mount.

Measurement rules:

- Make all measurements to the nearest mm. On inside mount applications, round down.
- Measure all windows, even if they appear to be the same size.

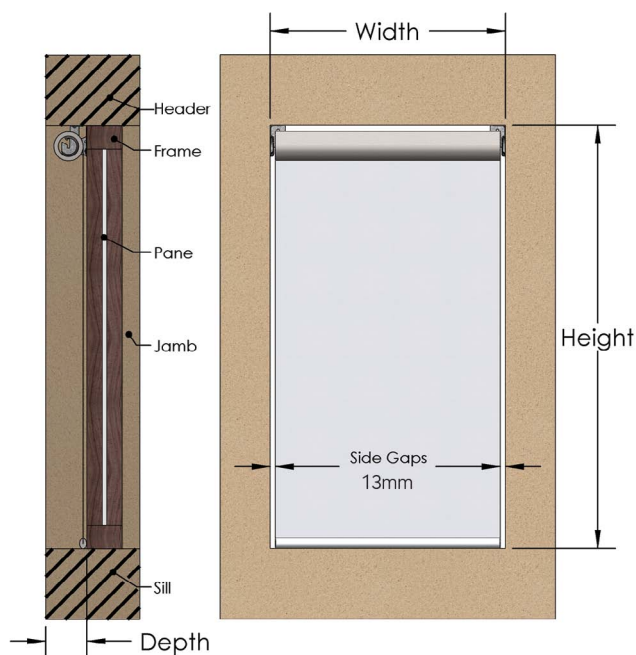
Fixing **IMPORTANT CONSIDERATIONS:** *(All shades ship without fixings, the installer must provide these)*

- There must be significant support structure to hold the shade, i.e. wood, concrete, anchored drywall, etc.
- Standard roll or reverse roll are available. Reverse roll may be needed to free shade path from obstructions, i.e. handles, locks, alarm sensors, moulding, trim, skirting, etc.

QMotion UK Measurement Instructions (cont.)

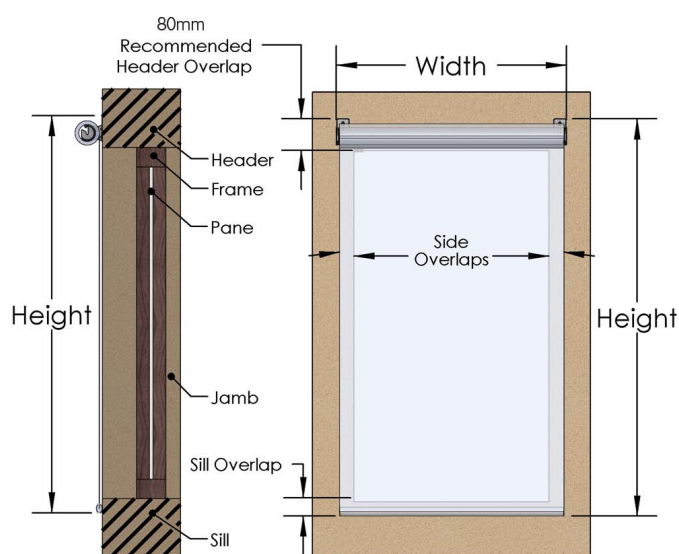
Required order form measurements for **INSIDE MOUNT:**

- Use the top horizontal measurement for **TOP WIDTH**. This is outside of bracket to outside of bracket.
- Use the largest vertical measurement for **HEIGHT**.
- Measure and record **DEPTH**. Use the minimum distance from the outside of opening to the window including window mullions if they exist. This is important in determining if the shade and fascia will protrude into the room and out of the opening.



Required order form measurements for **OUTSIDE MOUNT:**

- Determine **FABRIC WIDTH** based on largest horizontal measurement PLUS total desired side overlap.
- Minimum 38mm side overlap is recommended.
- Establish **WIDTH** dimension by adding 25mm to the **FABRIC WIDTH**. This is outside of bracket to outside of bracket. (Note: Brackets extend beyond **FABRIC WIDTH** by 13mm on each side.)
- Determine **HEIGHT** by adding 80mm to largest vertical measurement and desired **Sill overlap**. Minimum 25mm **Sill overlap** is recommended.



QMotion UK Automated Shades

Reference Information

QMotion UK Setting Hembar Position

For shades produced on or after April 15th, 2013.

Setting Any Position Location

QMotion UK shades produced after April 15, 2013 have the additional ability to program the upper stop position. These instructions may be followed the same for each button programming operation, substituting the desired button to be programmed during this process.

- 1. Send the shade to the position to be changed.**
- 2. Press & Hold the button desired to be changed after the shade has stopped (eg. if the position to be programmed is the upper limit, press and hold the UP button)**
- 3. After about 5 seconds the shade will Jog down 75mm and back up.**
 - a. Release the position button to be changed.**
 - b. Tug the shade 150mm to enter learn mode for the button position.**
 - c. Move the shade to the new position by hand or press the UP button 3 times to send the shade to the TOP, then pull down to the desired position.**
 - d. Press and Hold the position button to be set until the shade begins to move UP.**
 - e. The shade will travel to the “hard stop”, the new position has been set.**

QMotion UK Remote Settings

For shades produced on or after April 15th, 2013.

Adding or Deleting a Remote

- 1. Send the shade to Top/Upper limit.**
- 2. Press & Hold the UP button after the shade has stopped.**
- 3. After about 5 seconds the shade will jog down 75mm and back up. Keep holding the UP button, do not release.**
- 4. After about 10 seconds the shade will start traveling to the 75% position**
 - a. Release the Up button.**
 - b. After the shade stops at 75%, tug the shade 150mm. The shade is now in learn mode.**
 - i. To Add a remote Press and Hold the UP button on the desired new remote or channel until the shade begins to move Up.**
 - ii. To Delete a remote Press and Hold the DOWN button on the desired remote or channel to be deleted until the shade begins to move Up.**
 - c. New remote or channel is added or deleted.**

QMotion UK Remote Settings

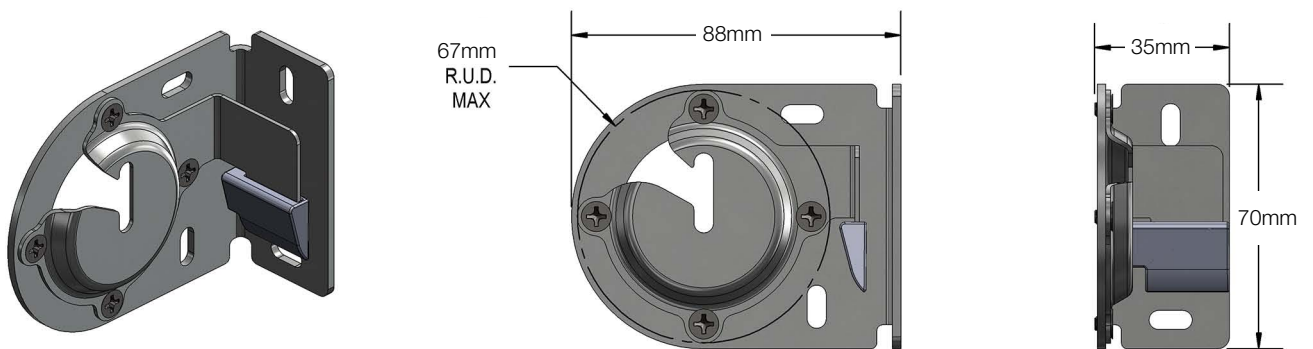
For shades produced on or after April 15th, 2013.

Factory Reset Then Adding a Remote

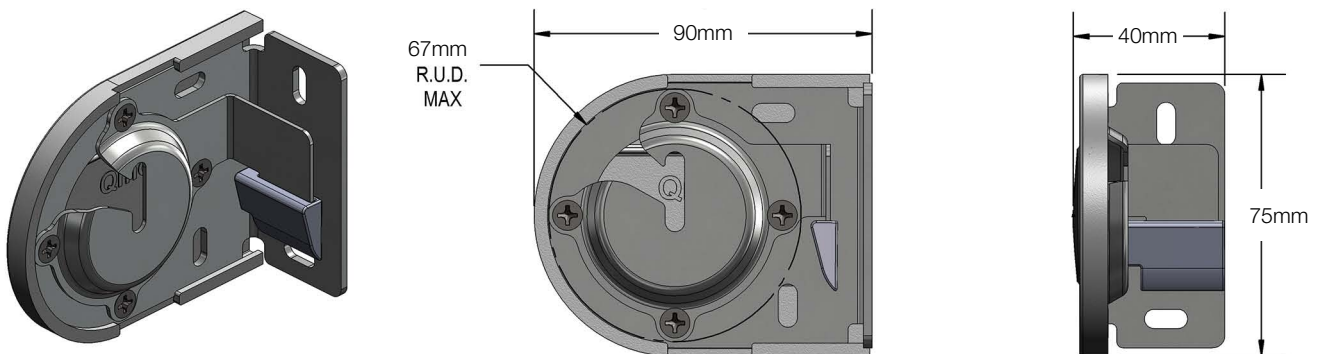
- 1. Send the shade to Top/Upper limit.**
- 2. Press & Hold the UP button after the shade has stopped.**
- 3. After about 5 seconds the shade will Jog down 75mm and back up. Keep holding the UP button, do not release.**
- 4. After about 10 seconds the shade will start traveling to the 75% position. Keep holding the UP button, do not release.**
- 5. After about 15 seconds the shade will begin to travel to the Default Shade Length. (About 500mm). Release the UP button.**
 - a. When the shade stops it will be ready to perform a Factory Reset.**
 - b. Tug the shade more than 150mm within 10 seconds of the shade stopping to perform a Factory Reset.**
 - c. The Factory Reset will, delete all remotes from the shade memory, and reset all programmed positions to Factory Default settings.**
 - d. The shade will be in learn mode for adding new remotes for one minute.**
 - e. Press and Hold the Up Button on a new remote or channel until the shade begins to move Up.**
 - f. If a new remote is not added within one minute, the shade will exit Learn Mode for Remotes and can only be operated through tugs. A new remote can only be added by performing**
 - i. 2 Button Press procedure with a Multichannel remote or USB remote.**
 - ii. Removing and re-applying power to the shade, followed by step e. of this section.**

Brackets (Universal Back/Face Mount)

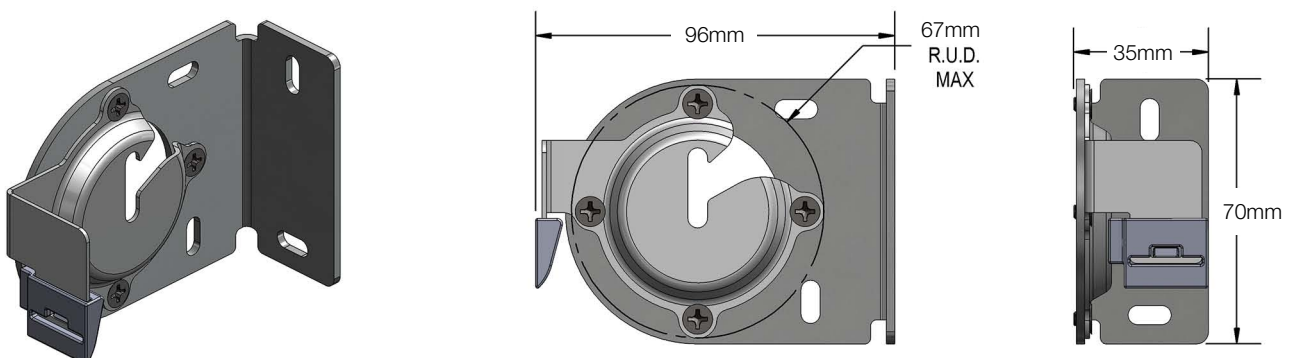
2.6 Universal Bracket Back/Face Mount, No Cover



2.6 Universal Bracket Back/Face Mount, Cover

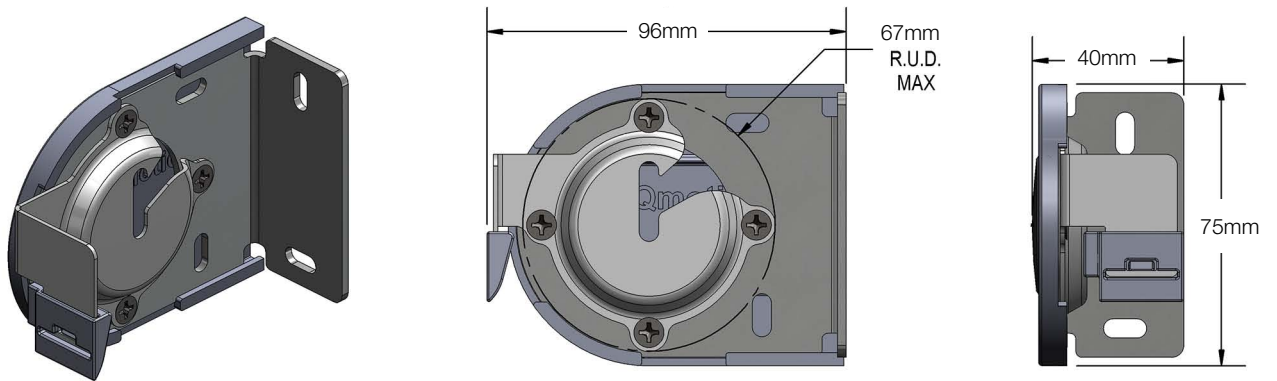


2.6 Universal Bracket Back/Face Mount, No Cover, Reverse

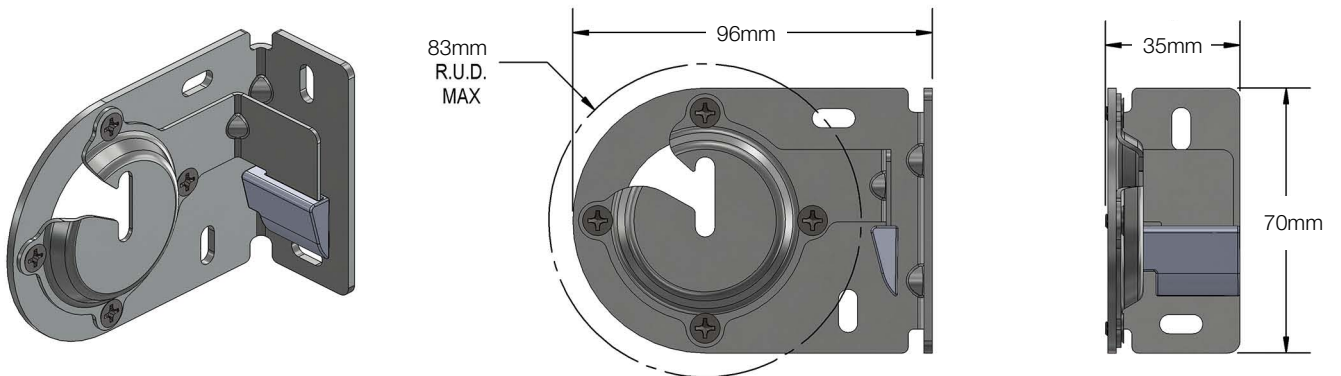


Brackets (Universal Back/Face Mount)

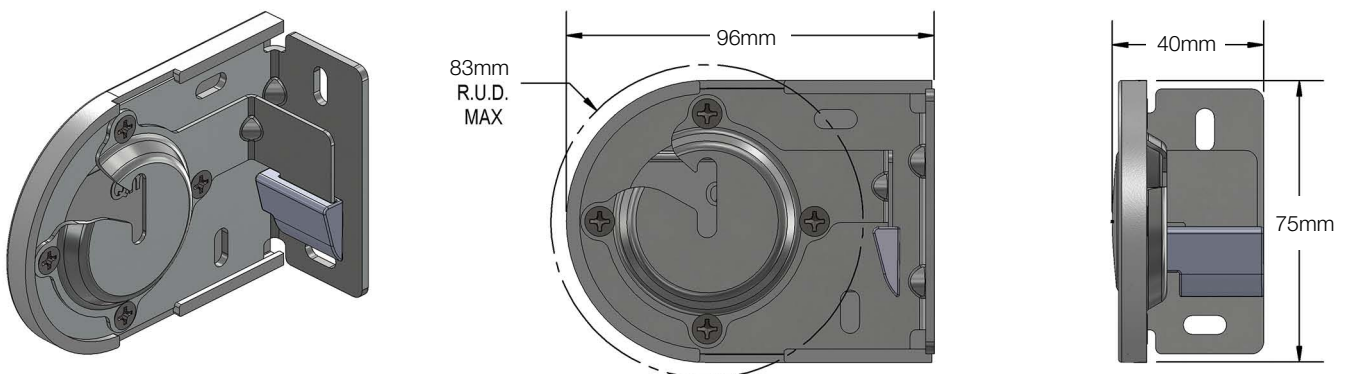
2.6 Universal Bracket Back/Face Mount, With Cover, Reverse



3.3 Universal Bracket Back/Face Mount, No Cover

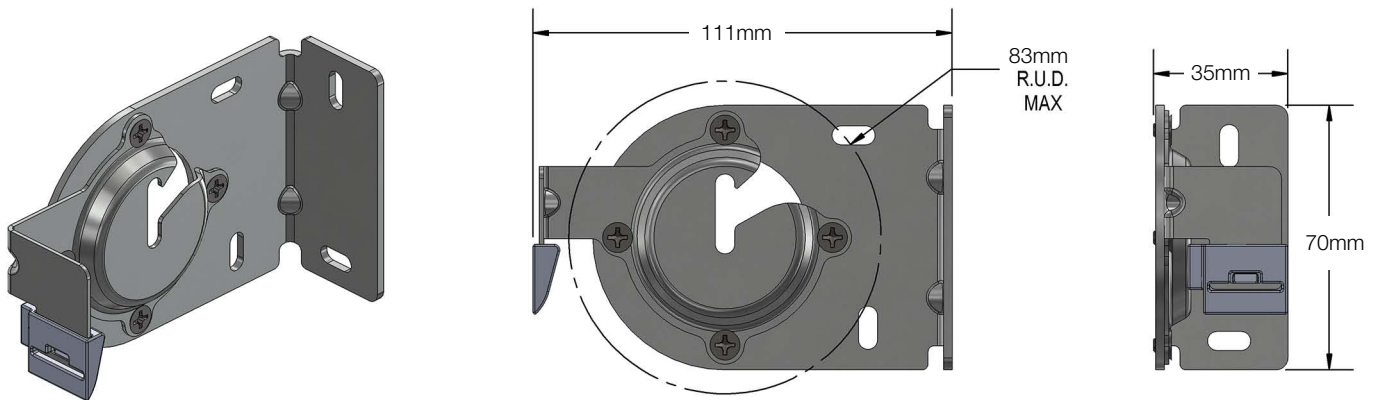


3.3 Universal Bracket Back/Face Mount, With Cover

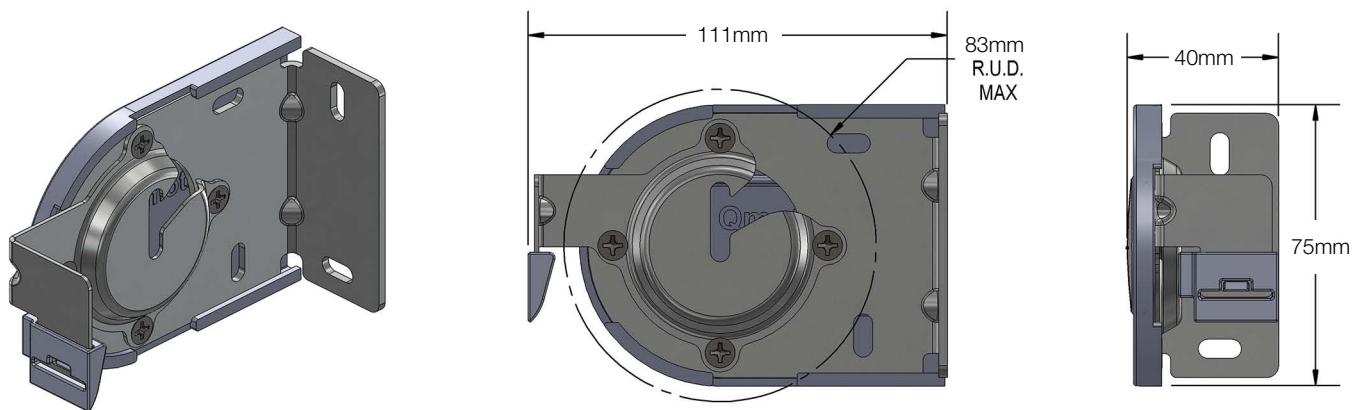


Brackets (Universal Back/Face Mount)

3.3 Universal Bracket Back/Face Mount, No Cover, Reverse

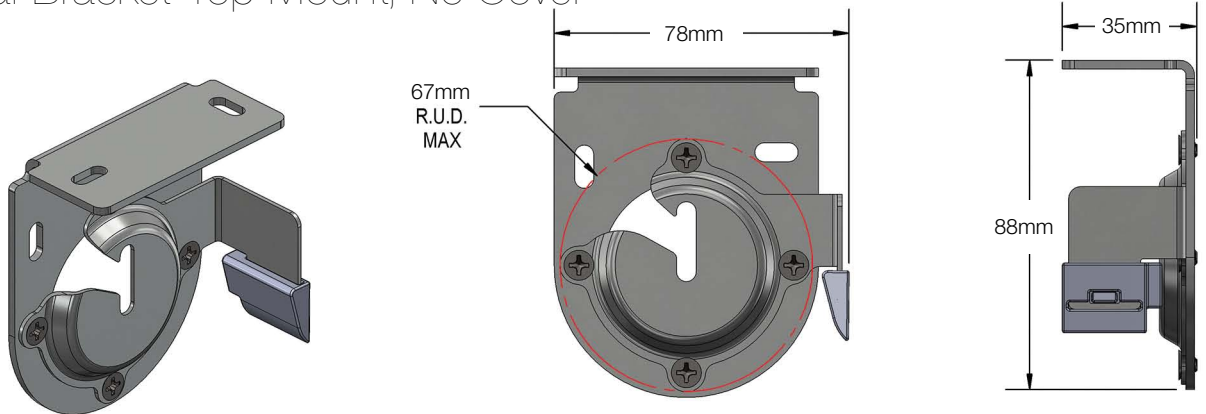


3.3 Universal Bracket Back/Face Mount, With Cover, Reverse

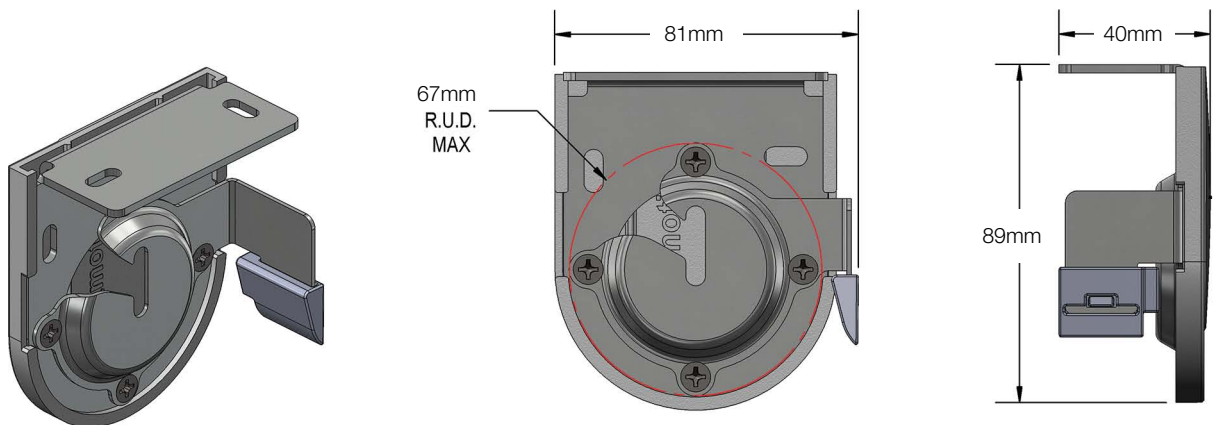


Brackets (Universal Top Mount)

2.6 Universal Bracket Top Mount, No Cover

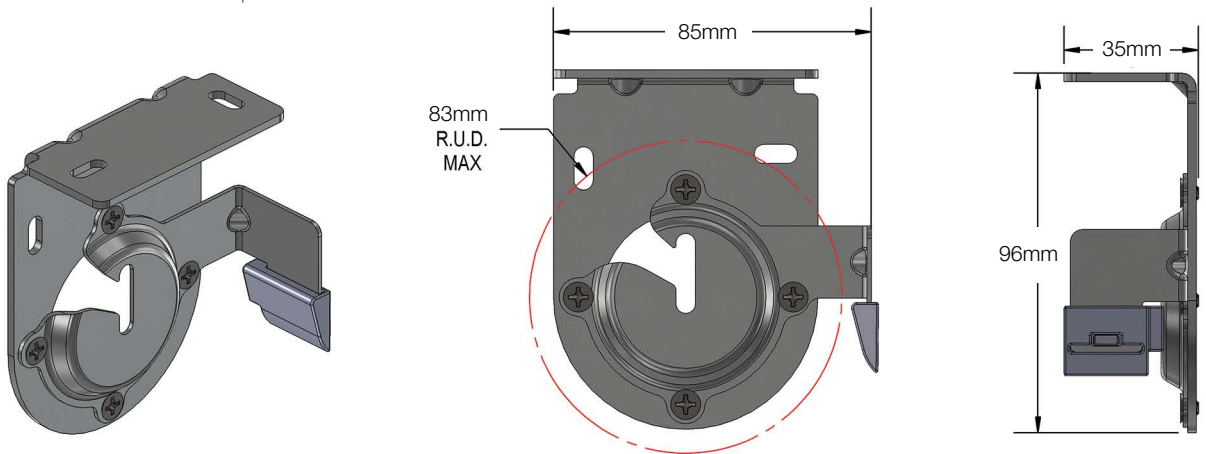


2.6 Universal Bracket Top Mount, With Cover

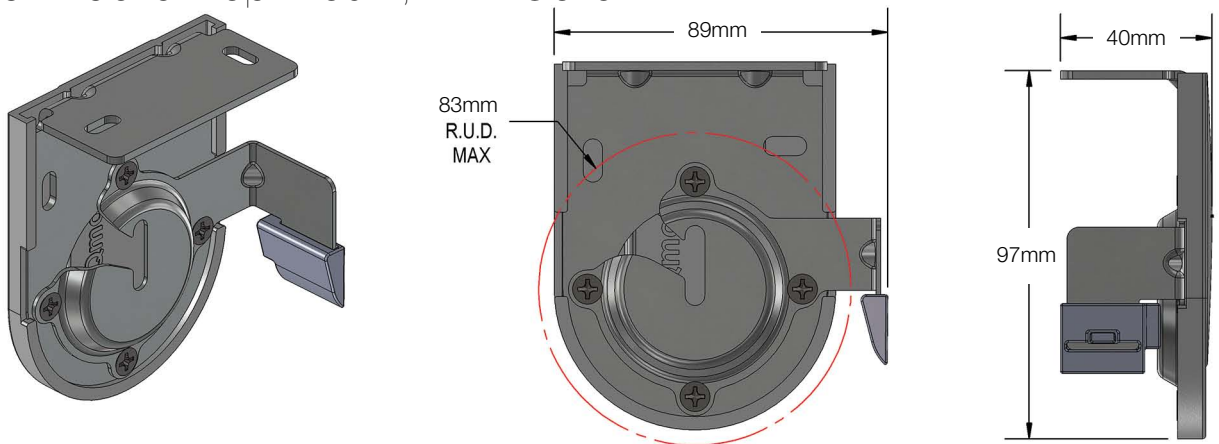


Brackets (Universal Top Mount)

3.3 Universal Bracket Top Mount, No Cover

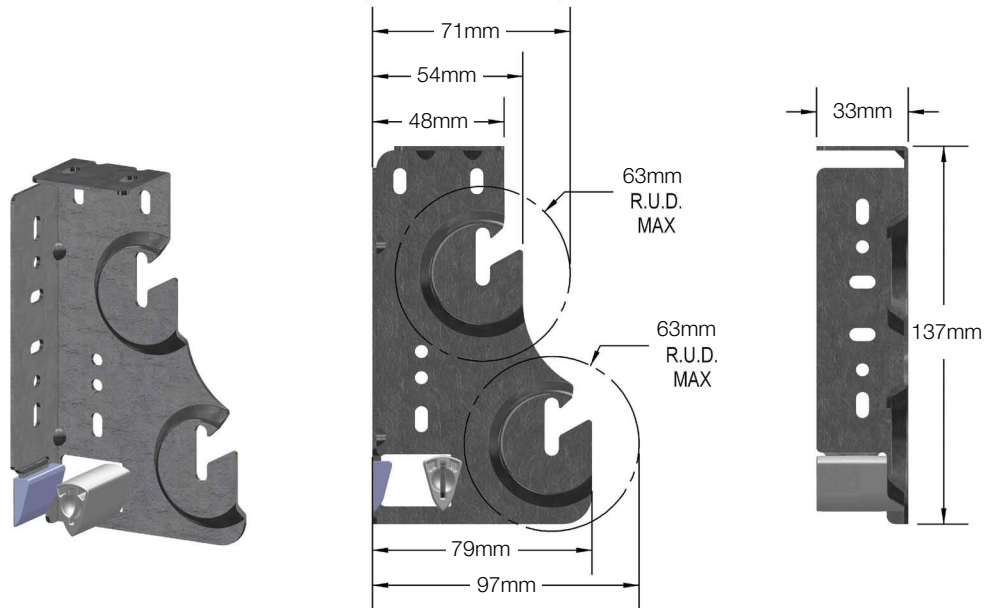


3.3 Universal Bracket Top Mount, With Cover

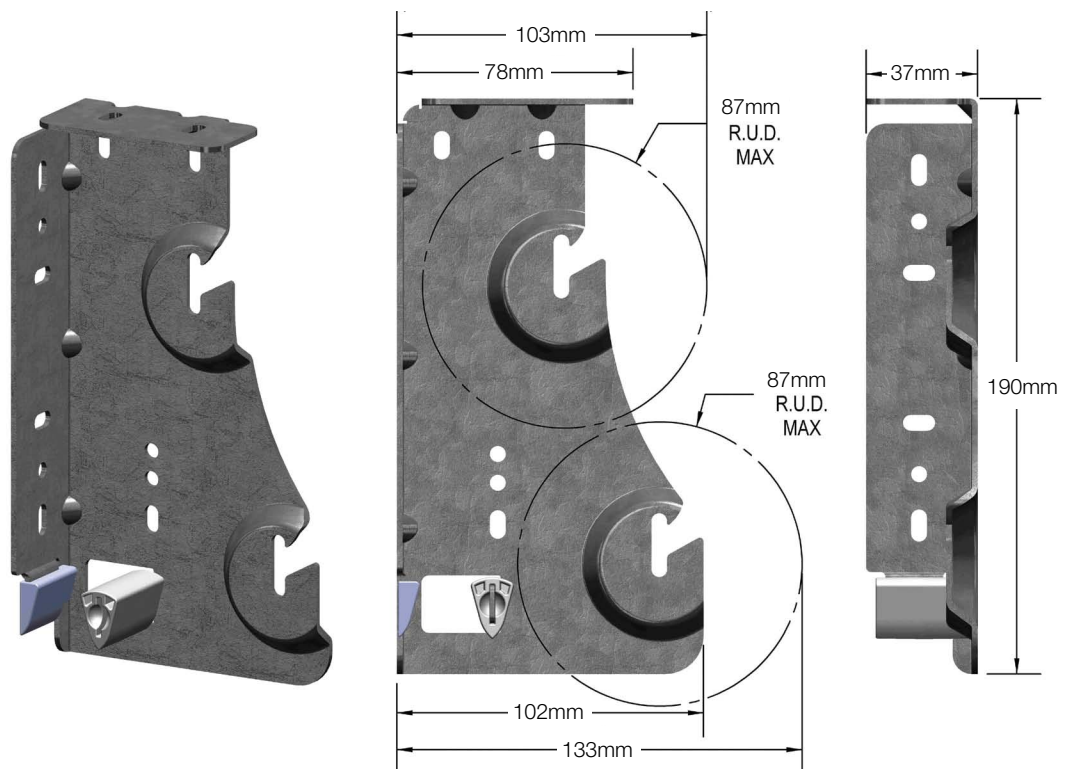


Dual Brackets

2.5 Dual Bracket
*Standard roll application only

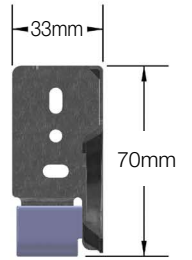
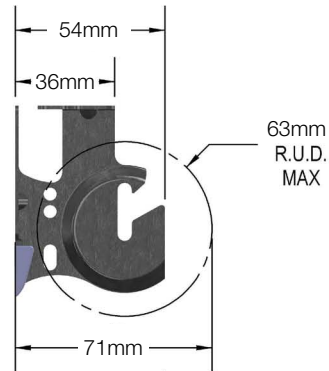


3.7 Dual Bracket
*Standard roll application only

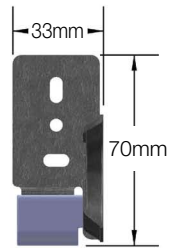
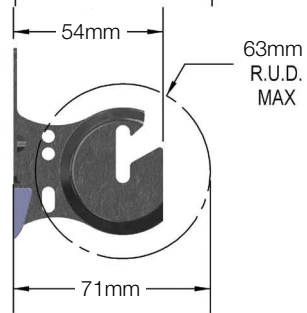


Qlink (coming early 2014) Bracket 2.5

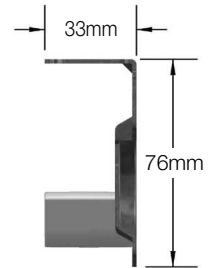
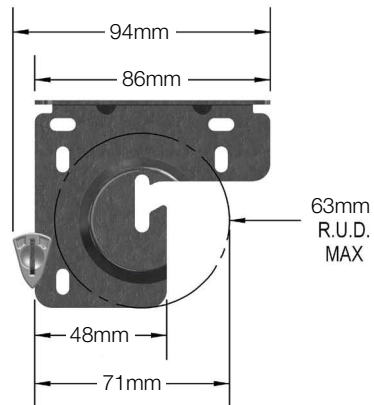
Universal Bracket



Outside Mount Bracket

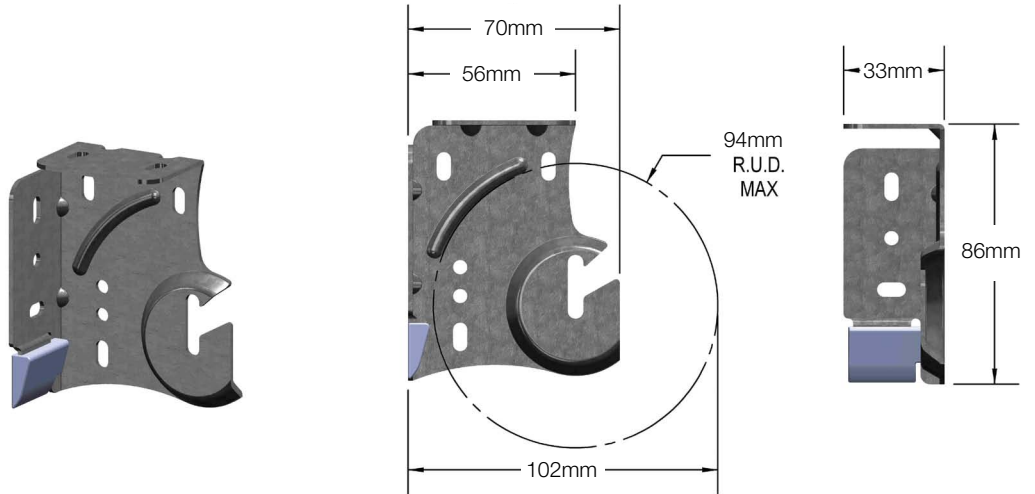


Pocket/Reverse Bracket

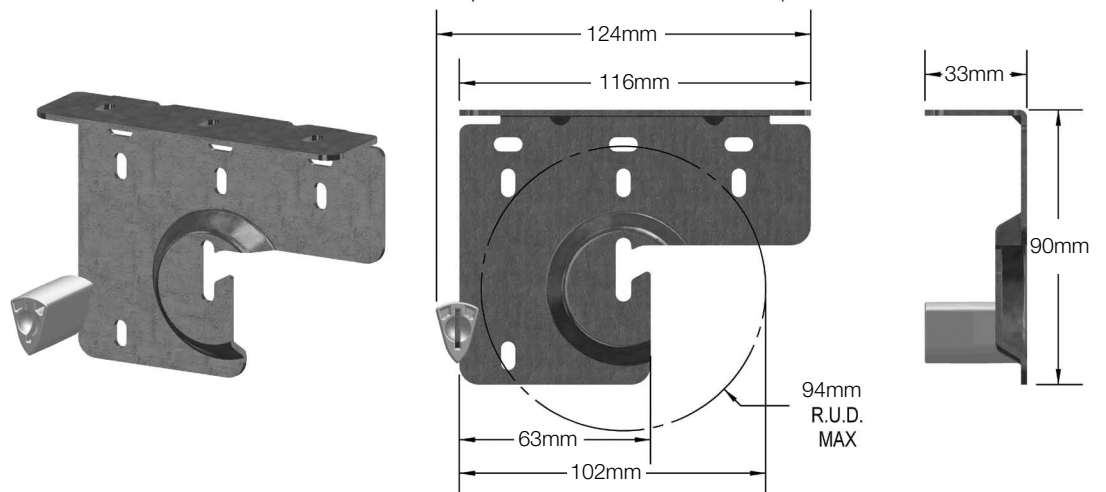


Qlink (coming early 2014) Brackets 3.7

Universal Bracket

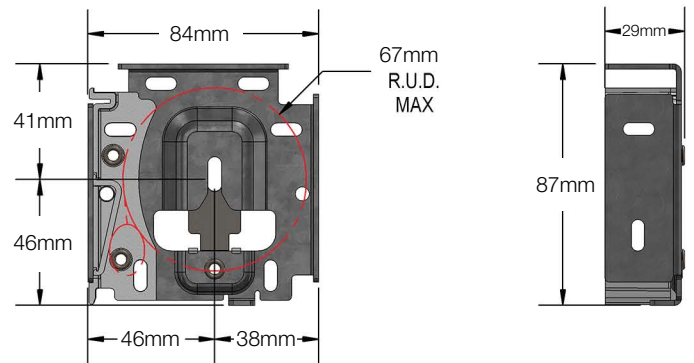
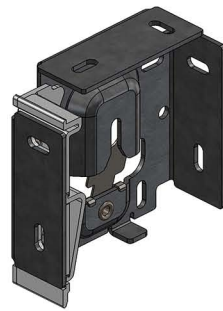


Pocket/Reverse Bracket
*Some installations may require L-Bracket

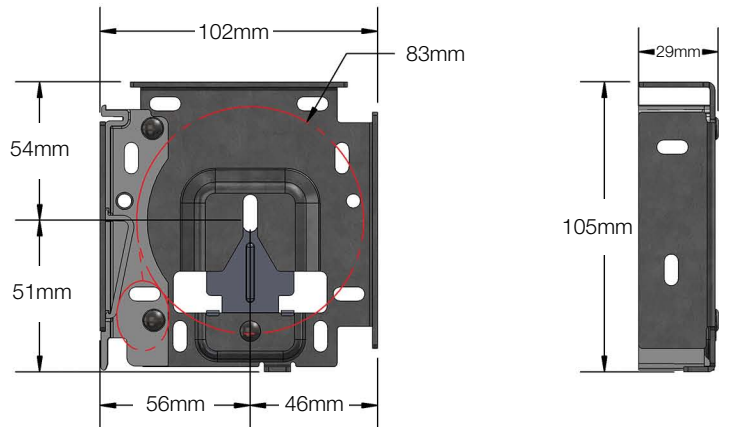
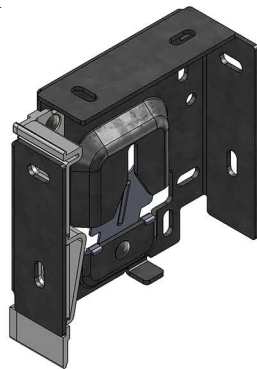


Fascia Brackets

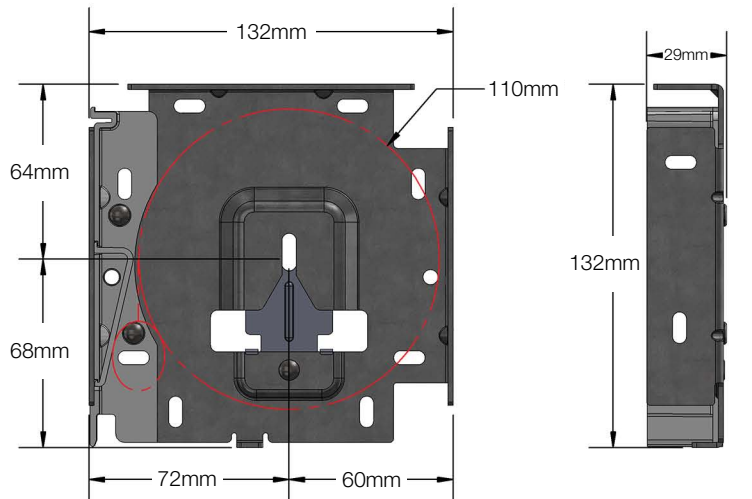
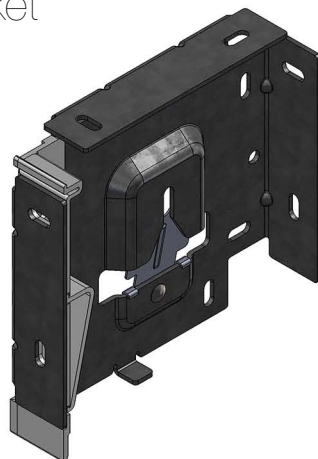
2.6 Fascia Bracket



3.3 Fascia Bracket

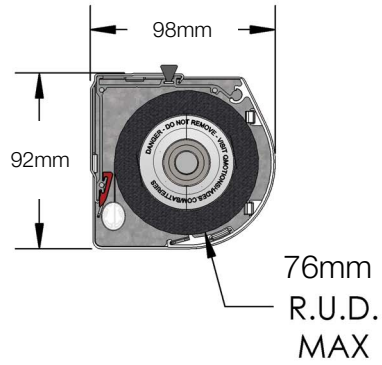


4.3 Fascia Bracket

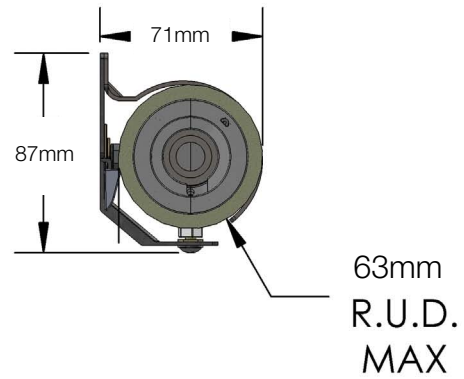
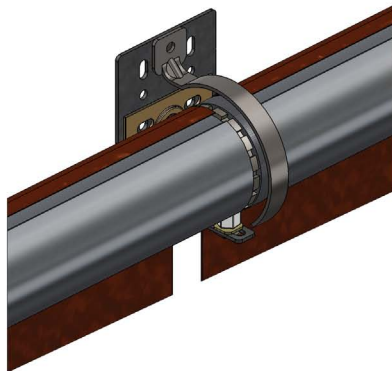


Cassette

Single Cassette



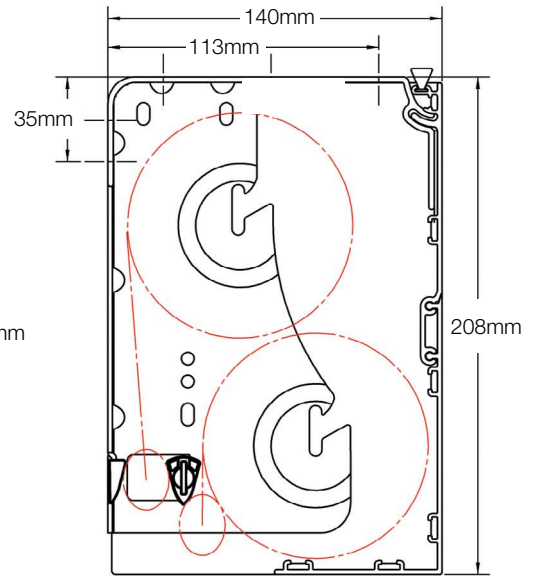
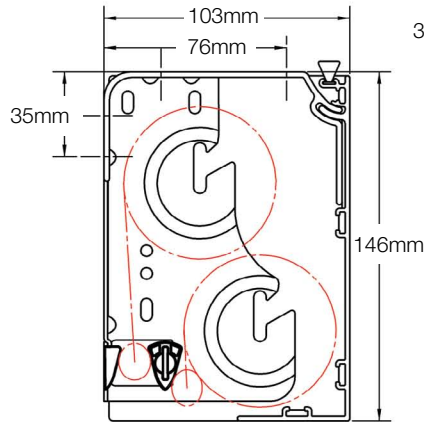
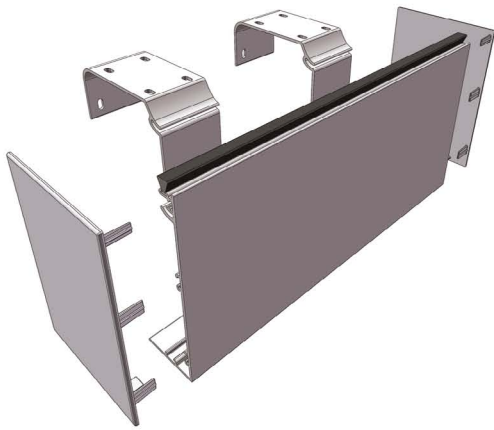
Qlink (coming early 2014)



* R.U.D. indicates the maximum likely diameter on the system. Check fabric charts for specific shade diameters.

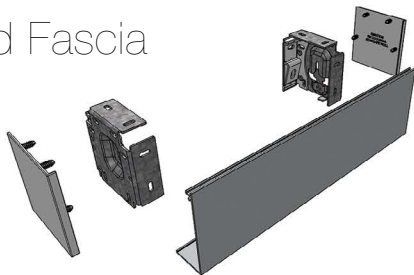
QMotion UK Fascia

Dual Bracket Fascia

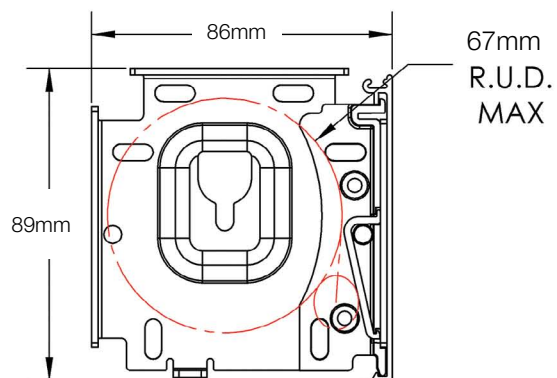
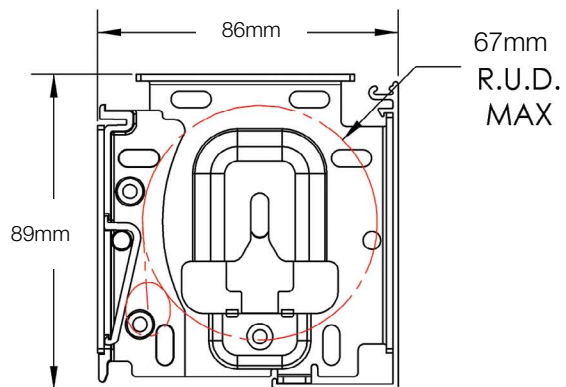
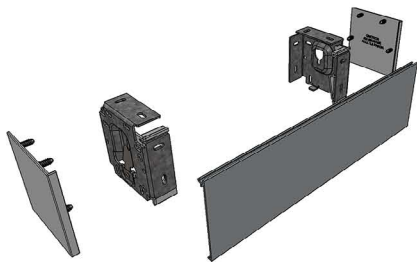


QMotion UK Fascia (2.6)

Standard Fascia

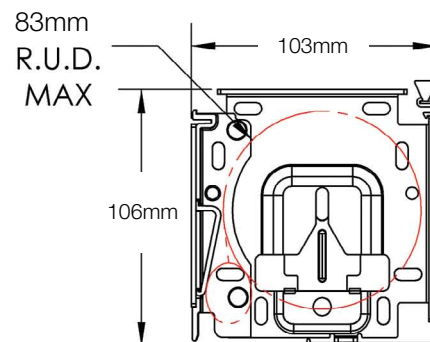
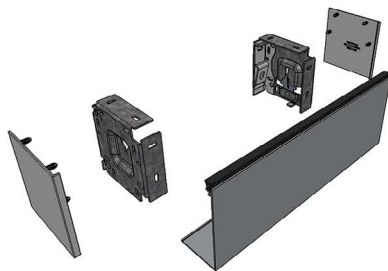


Reverse Fascia

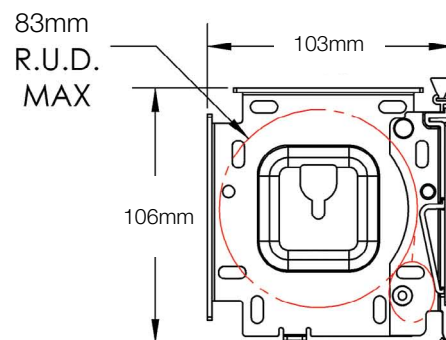
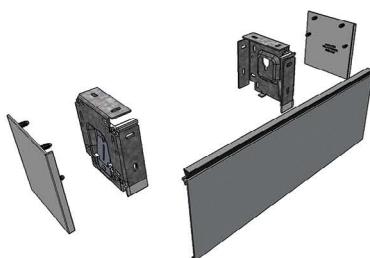


QMotion UK Fascia (3.3)

Standard Fascia

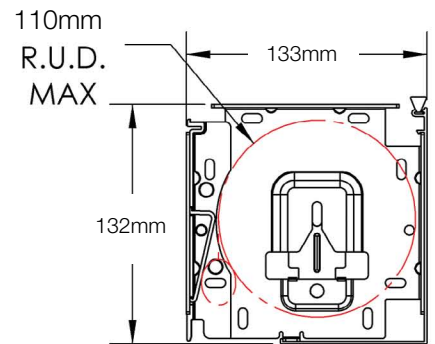
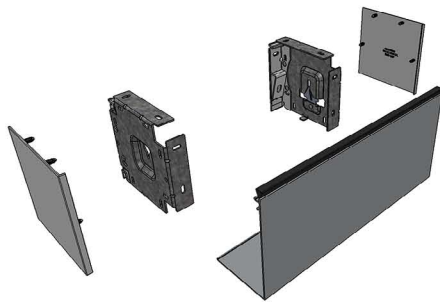


Reverse Fascia

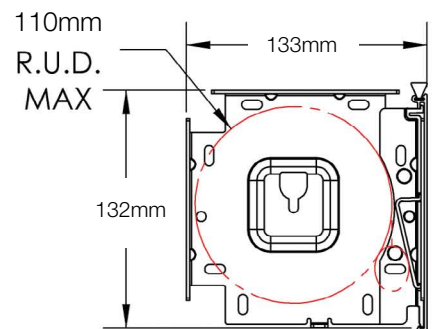
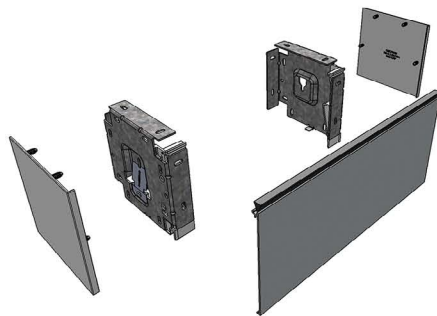


QMotion UK Fascia (4.3)

Standard Fascia

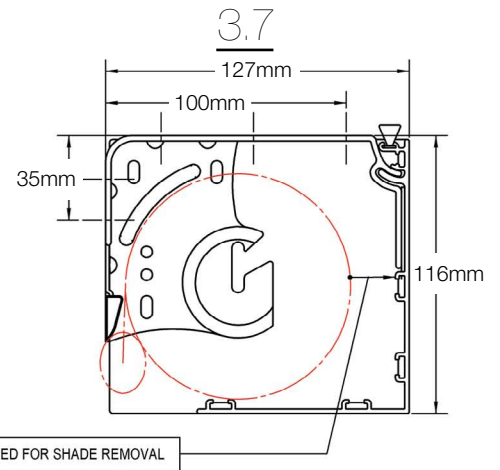
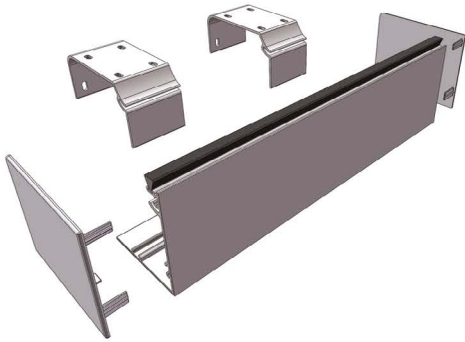


Reverse Fascia

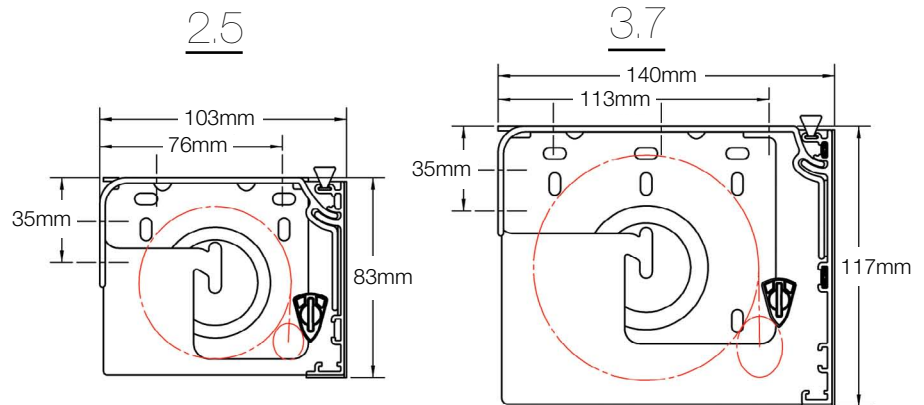
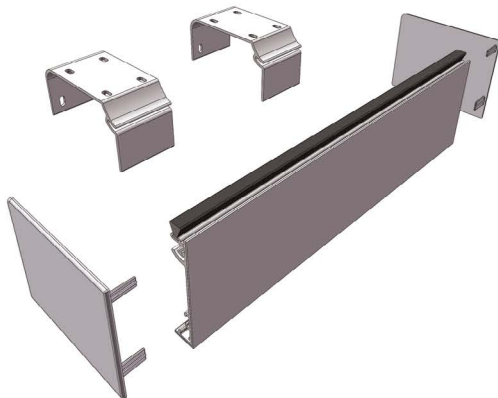


Qlink Fascia (coming early 2014)

Standard Fascia



Reverse Fascia



Copyright Notice and Disclaimer

All rights reserved. No parts of this manual may be reproduced in any form without the express written permission of QMotion UK. QMotion UK makes no representations or warranties with respect to the contents hereof. In addition, information contained herein are subject to change without notice. Every precaution has been taken in the preparation of this manual. Nevertheless, QMotion UK assumes no responsibility for errors or omissions or any damages resulting from the use of the information contained in this publication.

QMotion UK is a trading name for Claxton QM Ltd.

Environmental Statement

RoHS COMPLIANT

WEEE (Waste Electrical and Electronic Equipment) Statement

Disposal of Waste Equipment by Users in Private Household in the European Union

This symbol on the product or on its packaging indicates that this product must not be disposed of with your other household waste. Instead, it is your responsibility to dispose of your waste equipment by handing it over to a designated collection point for the recycling of waste electrical and electronic equipment. The separate collection and recycling of your waste equipment at the time of disposal will help to conserve natural resources and ensure that it is recycled in a manner that protects human health and the environment.

For more information about where you can drop off your waste equipment for recycling, please contact your household waste disposal service or the distributor from whom you purchased the product.



Limited Warranty

QMotion UK, (the “Manufacturer”) warrants that this QMotion UK window shade product will be free from defects in materials and workmanship for 5 years, beginning from the date first sold to the commercial or residential consumer who has, or intends to, use the product, as evidenced by such consumer’ proof of purchase:

Exclusions From this Limited Warranty: This limited warranty shall be null and void and no part of it shall apply if any one of the following occur: 1) the product has not been properly installed by a qualified installer in accordance with all Manufacturer specifications; 2) the product has been subject to unauthorised service; 3) the product has been subject to mis-handling, misuse, or abuse; 4) the product has been modified; 5) the product has suffered damage resulting from lightning, power surges, vandalism, fire, earthquake, acts of nature, or any other cause which the product was not designed to withstand; 6) the product has been used, or attempted to be used, for other than the customary usage or for other than the product’s intended use; 7) the product has not been maintained; 8) damage to the product caused by battery decay or corrosion.

This Limited Warranty extends only to the original owner. This Limited Warranty is not transferable. This Limited Warranty does not cover normal wear & tear or deterioration which occurs with the passage of time.

Batteries originally provided with a new product, if any, are produced by a third party and are not warranted by Manufacturer.

No employee, distributor, dealer, agent or representative is authorised to change the terms of this Limited Warranty in any way, to extend the warranty time periods, or to grant additional warranties, and no attempt to do any of the foregoing will be binding upon Manufacturer.

IF THIS LIMITED WARRANTY COVERS A CONSUMER PRODUCT, AS DEFINED BY THE MAGNUSON-MOSS WARRANTY ACT, THEN NO WARRANTIES, EXPRESSED OR IMPLIED (INCLUDING, BUT NOT LIMITED TO, THE WARRANTY OF MERCHANTABILITY OR FITNESS FOR A PARTICULAR PURPOSE) SHALL EXTEND BEYOND THE APPLICABLE TIME PERIOD STATED IN BOLD FACE TYPE ABOVE. IF THIS LIMITED WARRANTY COVERS A COMMERCIAL PRODUCT, THEN THIS LIMITED WARRANTY IS IN LIEU OF ALL OTHER REPRESENTATIONS, GUARANTEES, OR OTHER EXPRESS OR IMPLIED WARRANTIES (INCLUDING, WITHOUT LIMITATION, THE WARRANTY OF MERCHANTABILITY OR FITNESS FOR A PARTICULAR PURPOSE) AND ALL SUCH OTHER EXPRESSED OR IMPLIED WARRANTIES ARE HEREBY SPECIFICALLY DISCLAIMED.



Claims for defects in material and workmanship covered by this Limited Warranty must be made in writing to the distributor from whom the product was originally first purchased within the warranty period stated above. Manufacturer may either send a service representative or have the product returned to Manufacturer's facility, at Buyer's expense, for inspection. If judged by Manufacturer to be defective in material or workmanship, and to otherwise be covered by this Limited Warranty, the product will be replaced or repaired at the option of Manufacturer, in its sole and absolute discretion, free from all charges except authorised transportation and replacement labour. Replacement labour, transportation costs, and any other costs or charges by the dealer, wholesaler, distributor, contractor, or installer are not covered by this Limited Warranty. Any replacement unit may be a model determined by Manufacturer to be equivalent to the defective model, or a product that has been factory refurbished. The remainder of original warranty period will apply to any repair/replacement unit.

THE REMEDIES OF BUYER SET FORTH IN THIS LIMITED WARRANTY ARE EXCLUSIVE AND ARE IN LIEU OF ALL OTHER REMEDIES. THE LIABILITY OF MANUFACTURER WHETHER IN CONTRACT, TORT, UNDER ANY WARRANTY OR OTHERWISE, SHALL NOT EXTEND BEYOND ITS OBLIGATION TO REPAIR OR REPLACE, AT ITS OPTION, ANY PRODUCT OR PART FOUND BY MANUFACTURER TO BE DEFECTIVE IN MATERIAL OR WORKMANSHIP AND OTHERWISE SUBJECT TO THIS LIMITED WARRANTY. MANUFACTURER SHALL NOT BE RESPONSIBLE FOR ANY DIRECT, INDIRECT, SPECIAL OR CONSEQUENTIAL DAMAGES OF ANY NATURE.

This Warranty gives specific legal rights and the Buyer may have other rights, which may vary from EEC State to State. However, some states do not allow limitations on how long an implied warranty lasts or the exclusion or limitation of incidental or consequential damages so the above limitations or exclusions may not apply specific buyers.

QMotion UK, PO Box 1168, Hedley Road, St Albans, Hertfordshire AL1 9WY, United Kingdom
UK Tel +44 (0) 845 450 1606 info@qmotionshades.co.uk

qmotion[®]uk
advanced shading systems

www.qmotionshades.co.uk