



Roller Shade Product Guide

October 2015

Contact

Address:

QMotion UK
2 Cleveland Way
Hemel Hempstead
Hertfordshire
HP2 7DL
United Kingdom

Website:

www.qmotionshades.co.uk

Email:

info@qmotionshades.co.uk

Phone:

Customer Service Number: +44 (0) 845 450 1606

Social:

www.twitter.com/qmotionuk
www.facebook.com/qmotionshadesuk
www.pinterest.com/qmotionuk
www.instagram.com/qmotionuk

Table of contents



	page
Features.....	4
Options.....	5
Battery Life and Range Expectations.....	6
QBattery Shade Information.....	7
Narrow Shade Information.....	8
Cassette Shades.....	9
Qlink Coupled Shades.....	10
Mounting Brackets.....	11
Fascia.....	12
Side Channels and Sill Angle.....	13
Remote Control Options.....	14-16
Extend your Range and Reception with Qrelay.....	17
QMotion UK Wall Docking Station.....	18
Low Voltage Transformer Information.....	19
Customer's Own Material (C.O.M.).....	20
Special Ordered Material (S.O.M.).....	20
QMotion UK Measurement Instructions.....	21-22
QMotion UK Remote Settings.....	23-24
Setting Custom QMotion UK Hembar Positions.....	25
Brackets (Universal Back/Face Mount).....	26-30
Brackets (Universal Top Mount).....	30-31
Dual Brackets.....	31-32
Fascia Brackets.....	33
Cassette.....	34
Qlink.....	34
QMotion UK Fascia (2.6).....	35
QMotion UK Fascia (3.3).....	35
Copyright Notice and Disclaimer.....	36
Environmental Statement.....	36
Limited Warranty.....	37-38

Features

QMotion UK offers state-of-the-art natural light control with the following benefits:

Several different control options

- QMotion UK shades offer the convenience of moving the shade up or down, stopping at any of the top, the bottom, three programmable intermediate stops, or anywhere in between; all with the ease of a button press.
- *Lost your remote? No problem!*
QMotion UK shades can be moved up or down manually with no remote control. Simply give the shade a gentle pull to get them started.
- *Interested in reducing your energy bills?*
The programmable timer remote can be set up to move your QMotion UK shade automatically. Automate your shades by time of day, or day of the week. Create six distinct settings and let the shades do the rest.
- *Want to control multiple shades with just one remote?*
QMotion UK multi-channel remote controls 6 individual shades or 6 groups of shades all with one remote control. Each channel can have an unlimited number of shades programmed to it.

Unmatched quietness

- QMotion UK engineers developed a shade with quiet operation for a beautiful and peaceful experience.

Distinctive designs

- Generous fabric collection of light filtering, decorative and beautiful blackout materials.

- **Industry leading light gaps** on the sides of the shades as small as 13mm gap on each side, providing the most uniform and highest level of window coverage.

Unparalleled simplicity

- **QMotion UK automated shades are powered by a low voltage power supply, or an internal pack of standard D-cell batteries.**
- Batteries can last two to five years, dramatically reducing maintenance cost and adding convenience, (shade size and usage will determine actual battery life).
 - No cords
 - No electrician
 - No wires
 - No special tools
- QMotion UK battery operated shades are shipped with the batteries installed in the shade tube, for the convenience of our customers.



Options

QMotion UK advanced shading solutions allow for a customised experience.

The look you want

- QMotion UK shades offer *several choices of fascia* to conceal the top of the roller shade.

The design you need

- Shades come in *either standard roll or reverse roll*. Standard roll shades have the fabric rolling off the back of the roll close to the window, while reverse roll shades come off the front of the shade roll, and are further from the window glass. Reverse roll may be a preference for design purposes, or may be needed to permit the shade to lower clear of window obstructions.

The number you want

- Our *dual shade system* allows users to choose a combination of two shades on the same window. Often used with a light filtering fabric in the front and with a room darkening fabric closest to the glass, QMotion UK dual shades are an excellent way to double treat a window in a small space.

The choice you prefer

- Transformer low voltage power supply is a wired power solution for those who want the benefits of QMotion UK automated shades with a connection to the property's electrical system.
- Battery powered QMotion UK shades offer the same benefits as low voltage powered, and add the ability to install in difficult situations as well as function in the absence of an electrical supply. As QMotion UK battery powered shades use an internal battery pack, there are no visible battery packs or wires to hide or see.

Customisation that's right for you

- Choose from our assortment of remote controls. Among the choices is our programmable timer control which allows for setting of times for unattended shade movement or our multichannel remote to control various shade groups from a single hand held remote. All remotes fit on our magnetic wall docking stations, and may be secured in place using our wall keeper.
- As our programming is simple, all shades arrive ready to "learn" to your remotes. A shade may be controlled by as many as 12 different remotes.
- Combine groups and remotes for your convenience. A channel can be for a single shade or a group of shades, and various groups can be programmed to suit the space.

Safe by design

- Shades come in an endless range of colours and finishes, but when buying shades for your home, you must consider the way they are operated.
- A shade which is safe by design is one that is cordless or has concealed or tensioned cords.
- QMotion UK roller shades are cordless by design.



Battery Life and Range Expectations

QMotion UK shades offer the longest battery life in the industry.

QMotion UK shades lead the industry in battery life with our patented technology by putting the batteries inside the tube, providing superior aesthetics with no power wires or antenna showing.

- Our battery powered shades use D-cell alkaline batteries or AA lithium batteries. The expected battery life for D-cell batteries, is up to 2 to 5 years, depending on shade size and usage.
- The battery life for AA lithium batteries for the narrow shades is 12 to 18 months.
- As a unique feature in the industry, QMotion UK battery operated shades are shipped with the batteries installed in the shade tube. This benefit allows for a quick, and therefore easy, installation. QMotion UK does not manufacture these batteries* and does not warrant them or their endurance. Individual battery life is dependent on many factors and if your shades do not appear to be operating efficiently, please replace as needed, being sure to replace all batteries in each product at the same time with batteries from a single package from a single manufacturer.
- Battery life is dependent on shade usage and size, and some environmental factors. Larger shades and shades which are used more, will have lower battery life expectancy when compared to smaller shades or those used less frequently.

Battery Replacement

Easy battery replacement - by placing the access port for the batteries in the shade tube wall, you can now change the batteries without having to remove the shade from the brackets.



Product	Expected Open Air Range * in Metres
Single Channel	9
Multi Channel	9
Timer Remote	3
Qconnect	15
Qrelay	9
Qsync	15

***Environmental conditions may affect individual results.**

All range dimensions are based on an unobstructed environment or free range. There are a multitude of factors that cannot be controlled by our product that interfere with the range. Actual use in a home, office or other space can expect lower range, which can be augmented through the proper use of the Qrelay range extender device.

QBattery Shade Information

Finally, the luxury and safety of automated shades, completely free of cords and wires, are accessible to everyone.

Order specifics

- Shades ship complete with brackets and batteries, as needed, ready to install.
- Shades may be specified standard or reverse roll.
- If desired, a 24v low voltage transformer power option may be specified.

Size limitations

- For AA lithium batteries, the minimum width is 396mm and the maximum width is 559mm, bracket to bracket.
- For AA lithium batteries, the maximum height is 2438mm.
- Minimum width is 410mm with low voltage power.
- Minimum width is 559mm with D cell batteries.
- Maximum width is 3000mm for standard shades.
- Maximum height is 3500mm for standard shades.
- Consult fabric tables for available fabric heights, widths and more specific size availability.

Roll size

- Roll up diameter or RUD is determined by the size of the shade and fabric chosen.
- Extra length of material will be added to the height of the shade in order to allow the fabric to wrap around the tube when fully rolled down.

Fabric orientation and size

- All shades ship with fabric oriented in the vertical roll direction from the mill.
- If a shade in a group is railroaded, you have the option to railroad all shades in the group to match.
- Railroading is available on select fabrics only.

Tube and hembar size

- Tube and hembar diameters vary depending on the height and width of your shade.
- Hembars are available in painted or fabric wrapped. Paint colours are white, sand, anodised silver, bronze and black.

Spline

- QMotion UK fabric is attached to the blind via a removable spline for ease of removal or replacement. Occasionally it may be necessary to supply certain fabrics without the spline. Should the fabric require changing and no spline is fitted, the blind can be returned to QMotion UK for fabric replacement. Please call to discuss.

Fixing

- Motor noise is affected by the substrate it is fixed in to, this can either increase or decrease motor noise.



Narrow Shade Information

QMotion UK is now offering the world's narrowest battery operated shades. The smallest roller shade of its kind has arrived.

Order Specifics

- The minimum width is 396mm and the maximum width is 559mm, bracket to bracket.
- The maximum height is 2438mm.
- Uses three AA lithium batteries.
- Battery expectancy is up to 12 to 18 months based on 2-4 operations per day.
- Currently available in battery operated shades only.
- For added convenience each shade ships with batteries.

Motor control assembly with indicated batteries required



Tube size/motor adaptations for QMotion UK battery/low voltage

QADVANCED ROLLER SHADE MOTOR/CONTROLLER ASSEMBLIES			
NUMBER & SIZE OF BATTERIES	BRACKET-TO-BRACKET MINIMUM WIDTH	BRACKET-TO-BRACKET MAXIMUM WIDTH	TUBE SIZE
3AA	396mm	559mm	51mm
LV	410mm	3000mm	51/61mm
3D	559mm	629mm	51mm
4D	629mm	1067mm	51mm
6D	756mm	2438mm	51/61mm
8D	883mm	3000mm	61mm

Cassette Shades

Qcassette

QMotion UK motorised cassette roller shades are powered by the same innovative battery saving technology used in all of our roller shades. This cassette was designed for a soft elegant look with easy installation in mind.

- Fully enclosed shade system covered with an aluminium fixing profile, and shade rises fully into the cassette.
- Installation of this single shade cassette is literally a “snap” with two simple spring clips needed.
- Light blocking wool pile integrated into the top for more complete finish and better light management.
- Curved front cover design.
- Co-ordinated front cover in 5 standard laminated colours. White, black, bronze, sand and silver.
- Painted or fabric wrapped hem bar.
- Easy access for battery operated shade through pivoting front cover.
- Available on shades up to 2440mm x 3500mm, with limited fabric exceptions. Max RUD of 76mm.
- Light gaps are 18mm on each side, 36mm total.
- For inside mount application deduct 36mm.
- Works with all QMotion UK controls.
- End covers included with all cassette systems
- Compatible with low voltage as well as battery QMotion UK automated shades.



The QMotion UK cassette back extrusion is a durable white structural aluminum, designed to mount securely and retain the QMotion UK system.

Qlink Coupled Shades

Qlink

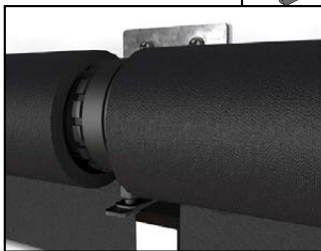
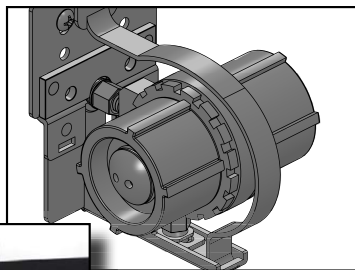
Qlink coupled shades can cover spans as wide as 7.3 metres by 3048mm drop with a single motor with up to 7 panels.

- Multi-window coverage without wiring, or use our low voltage system.
- Available in back, side and top (ceiling) mount.
- Cover with QMotion UK snap on fascia.
- Manual override option - shades can be operated manually at all times.
- Shades retain long battery life.
- Adjustable installation brackets for proper hembar alignment.
- Qlink coupled shade mounting brackets are compatible with standard QMotion UK 2.6 and 3.3 mounting brackets.
- Low voltage power option available from right end or left end.
- All other QMotion UK features and benefits continue to apply.



Ordering Information

- Standard roll has motorised shade on left.
- Reverse roll has motorised shade on the right.
- All coupled shades must be the same height and use the same fabric.
- Choose either white or black for Qlink coupler.
- Coupler bracket enables adjustments for height and depth.
- Recommended maximum panel number is 7 panels.
- Shades with a roll up diameter of 66mm or less will utilise 2.6 universal brackets.
- Shades with a roll up diameter from 67mm will utilise 3.3 universal brackets.
- Product which needs fascia must have RUD from 61mm to 83mm and use 3.3 fascia brackets.
- Shades with a roll up diameter less than 66mm which require fascia will require a 61mm tube.
- Max RUD with Qlink is 83mm.



Total Shade	
Minimum Battery Shade Width	813mm
Minimum Low Voltage Shade Width	410mm
Minimum Inner Width	432mm
Minimum Overall System Width	432mm
Minimum System Width	1250mm
Minimum Number of Panels	2
Maximum System Width	7315mm
Maximum Height (see fabric tables)	3048mm
Battery Available	Yes
Low Voltage Available	Yes
Fascia Available	Yes
Light Gap Between Bands	29mm

Mounting Brackets

Bracket options to suit installation needs.

Several styles

- There are several different mounting brackets offered depending on application requirements:
 - 2.6 Universal 3.3 Universal
 - 2.6 Snap On Fascia 3.3 Snap On Fascia
 - 4.3 Snap On Fascia



Bracket Applications

- Non-fascia shades ship with universal brackets.
- Pocket applications fit best with our 2.6 snap on fascia bracket. Please note bracket requests on order form.
- Dual shade applications ship with dual brackets.
- 3.3 universal bracket is shipped for all outside mount applications with roll diameters greater than 66mm.
- Verify bracket dimensions in the space where the shades will be installed. Accommodate space to install roll in pocket and reverse roll applications.
Please refer to bracket illustrations section.
- 2.6 brackets accommodate roll sizes from 51mm - 61mm. 3.3 brackets accommodate roll sizes from 67mm - 83mm.

Roll size guidelines

- Roll size is determined at the time an order is quoted and is dependent on material thickness, tube diameter, and the height of the shade. Fabric listing tables provide the maximum shade height for 2.6 brackets and 3.3 brackets depending on fabric type and width of shade.
- Specify top or back mount and standard or reverse roll on order form.
- All brackets may be side mounted.



Fascia

A special accent piece that adds to the beauty of QMotion UK shades.

Including fashionable, colour co-ordinated fascias will enhance both the form and function of your QMotion UK Shades. Easily mounted either inside or outside the window width, fascias attractively conceal the shade system while adding to the light protection your shades were designed to provide. So they're pretty and practical, all in one.

- Choose from five standard colours: white, silver, sand, bronze or black.
- There is the option to include colour co-ordinated end caps with fascia orders.
- All fascia includes an integrated light blocking strip at the top for full finish and optimal light management. The light blocking strip is available in black or white.
- Shipping charges for fascia are included with the shade if ordered with the shade, unless there are excess size charges from the freight carrier.
- Fascia not ordered to fit individual shades will be charged additional shipping charges.
- To ensure proper fit and function, inside mount fascias are cut 2mm less than the top window width.

Fascia end cap options

- Fascia end caps provide a clean look to the sides of the fascia on outside mounts or when the fascia extends out from the window frame on inside mounts.
- For inside mount applications, if fascia extends beyond opening, end caps may be cut in the field for custom fit.
- For inside mount applications, where window opening depth exceeds shade and fascia depth, no end caps are needed.
- End caps extend 2mm beyond fascia.



Pocket Closure

- To conceal the lower front of a pocket installation, QMotion UK offers the pocket closure system.
- This simple two part system installs easily, and conceals the underside.

Side Channels and Sill Angle

Features and Benefits

- The design allows for easier installation in window well or wall, for either brick or side mount.
- Side channels and sill angles offer an additional light control solution by covering the sides and bottom of the window (shade fascias or cassette block the light at the top of the window).
- Side channels are 80mm wide by 24mm deep.
- The fabric travels inside the channels and has a light blocking wool pile to help block light, this comes in either grey or black.
- Side channels and accompanying sill angles come in white, black or anodised silver.
- Sill angle is “L”-shaped, 25mm.
- Fits into fascia or cassette to ensure maximum room darkening.
- Max size is 3000mm x 3500mm (depending on fabric).
- Side channels supplied with an alternative hembar which is 42mm high x 12mm deep complete with brush strip.
- No fabric wrapped hembar option available.
- Shades used with side channels require larger deduction in the fabric width.

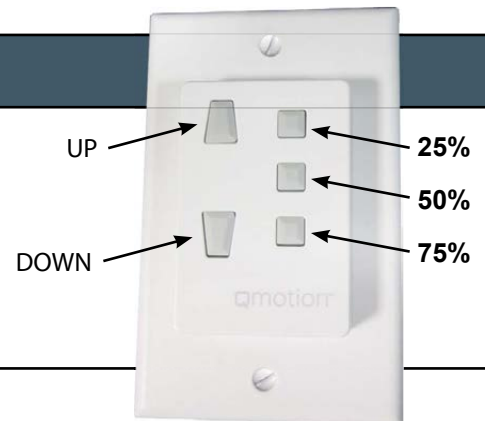


Remote Control Options

The range of the remote control is dependent on type of controller, type of shade, bracket, fascia and installation environment. Individual results may vary, and may be less in some environments due to obstructions in the path of the signal, such as walls, appliances, and/or electromagnetic interference from other electronic devices, many customers have reported even better results.

QMotion UK Single Channel 5 Button Remote

- 5 buttons to support up, down, 25%, 50% and 75%.
- Magnetic back for simple storing to wall plates.
- Controls unlimited number of shades in a group.
- Normal remote range: 9 metres.
- All positions can be customised after initial set up.



QMotion UK Programmable Timer Remote

- Programme automated settings in addition to the single channel 5 button remote control.
- Low transmission power, must locate close to shades or Qrelay.
- Supports as many as 6 events.
- Windows PC programmable only.
- Time of day, days of week, settings.
- Normal remote range: 3 metres.

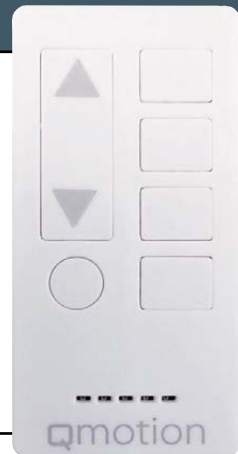


Remote Control Options

The range of the remote control is dependent on type of controller, type of shade, bracket, fascia and installation environment. Individual results may vary, and may be less in some environments due to obstructions in the path of the signal, such as walls, appliances, and/or electromagnetic interference from other electronic devices, many customers have reported even better results.

QMotion UK Universal Remote

- Up to 5 individual or group settings, unlimited number of shades per group.
- All shades programmed to a multichannel remote are controlled together with an all button on the same remote.
- Supports up, down, 25%, 50% and 75% actions.
- LED Light feedback.
- Normal remote range: 9 metres.
- All positions can be customised after initial set up.



QMotion UK Multichannel Remote

- Up to 6 individual or group settings, unlimited number of shades per group.
- All shades programmed to a multichannel remote are controlled together with an "ALL" button on same remote.
- Supports up, down, 25%, 50% and 75% actions.
- LED light feedback.
- Motion activated zone indicated when remote is tapped or moved.
- Normal remote range: 9 metres.
- All positions can be customised after initial set up.



QMotion UK Qconnect

The Qconnect interface is a bridge between our language and most building or home automation systems. With drivers for many popular systems, and easy programming tools, clients can easily drive QMotion UK automated shades with their new or existing automation systems.

- RS-232 serial
- RS-485 serial
- Dry contact interface
- 15 channel
- 9v DC power supply or power over CAT 5
- Desk or wall mountable
- Normal remote range: 15 metres. The Qconnect must not be contained adjacent to or within metal boxing or behind TV monitors, as this may affect the range of RF signal to the blinds. Please contact QMotion UK if you are in doubt when recommending an installation location for the Qconnect.



QMotion UK App and Qsync

QMotion UK Smartphone Application “App” Features:

- Control QMotion UK shades with iOS and Android mobile devices
- Virtual Shade: drag your finger to place the shade to the desired positions
- “Plug and Play” - easy set-up
- Channel system to name, take and set reference photo to group shades
- Step by step setup for learning, setting lower limit, and deleting shades
- Control nearly 500 shades or unlimited number of shades per group from each Qsync
- TCP/IP to 433Mhz bridge
- Set up once and settings sync to other smartphones and tablets on the network
- Must have Qsync control unit
- Controls are very fluid, very responsive
- Normal remote range: 15 metres



Extend Your Range and Reception with Qrelay

QMotion UK Qrelay

Each installation is different, and environmental factors may have an effect on transmission. In some cases, a Qrelay may be helpful in improving signal reception. To consider in advance, if a room is over 3.6 metres x 3.6 metres, or a shade is 9 metres from where it would be controlled, the Qrelay is recommended. As these dimensions increase, the Qrelay will become increasingly helpful, and spaces significantly larger may even benefit from more than one Qrelay.

- Extends range of all QMotion UK remotes.
- Use as many as required in an installation (no limits).
- Powered from a wall outlet or from a powered USB port
- Two modes of operation “Zone Specific” and “Echo”.
 - Zone specific mode allows individual remotes to be learned to the repeater.
 - Echo mode repeats all valid QMotion UK remote commands.
- Normal remote range: 9 metres.

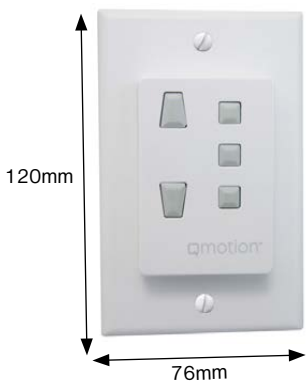


QMotion UK Wall Docking Station

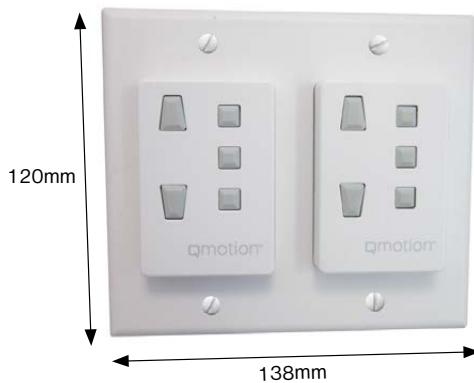
For the convenience of the user, consider QMotion UK wall docking stations. Available in single, double or triple gang versions, these wall plates are built to install on a wall as a place to retain the transmitters used in a project. Remote controls hold in place on the docking station via a strong magnet, and allow the remote controls to be used as a wall switch for a third level of control for the shades. Wall plates are flush mounted and do not require routing a hole in drywall or other mounting wall finishes. For public spaces, or other places where a remote should be “permanently” attached to a wall, our wall keepers mount around the remotes, making them virtually impossible to remove without a screwdriver.



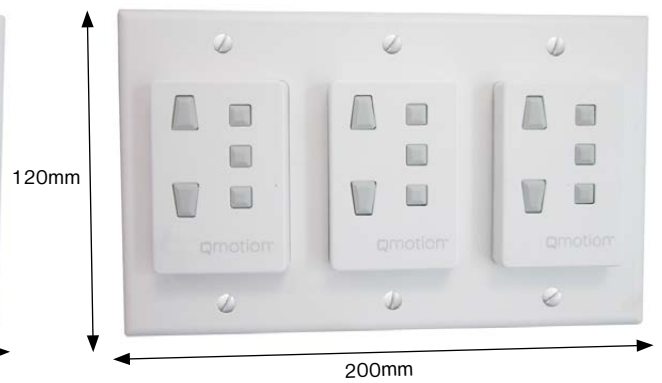
Single Wall Station



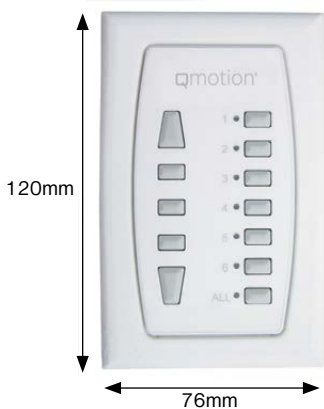
Double Wall Station



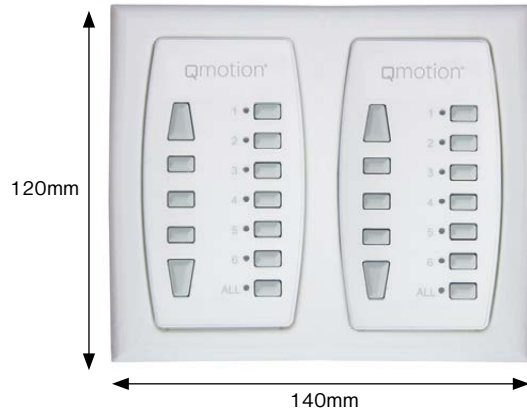
Triple Wall Station



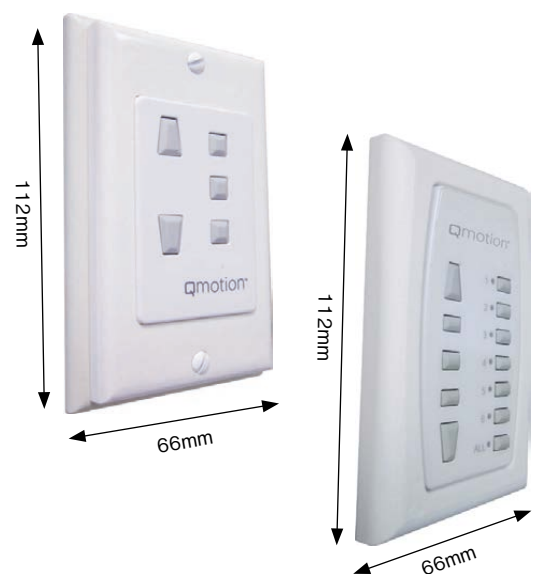
Multichannel-Single Wall Station



Multichannel-Double Wall Station



Wall Keeper

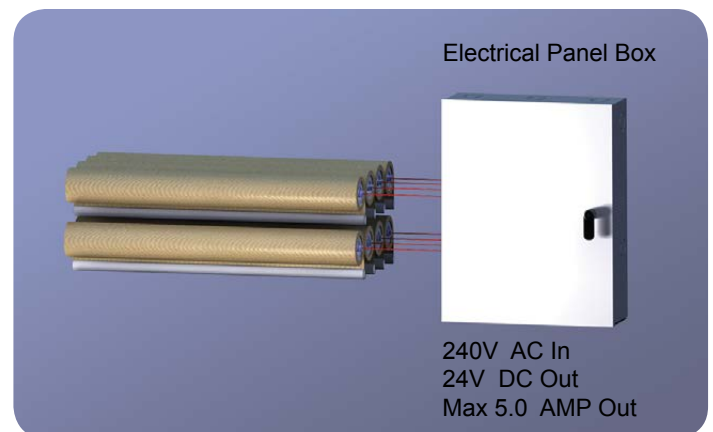


Low Voltage Transformer Information

QMotion UK low voltage shades offer all the same features of QMotion UK battery powered shades, and are compatible with fascia as well as controls.

- Battery tube is replaced with transformer leads.
- Each shade comes with a 300mm wire lead.
- Tube is configured to convert low voltage into the proper level to power the shade.
- The power supply can be at the header with the shade, on the floor near the shade or in an equipment room.
- Low voltage single shades are controlled with the same wireless RF remote as the battery option shades.
- 24v power input accepted.
- QMotion UK low voltage shades continue to offer the unique and patented manual override system.

**Electrical Din Rail Panel Box system by others may be equipped with a customer supplied battery back up system, in the case of a site power event.*



Spline

QMotion UK fabric is attached to the blind via a removable spline for ease of removal or replacement. Occasionally it may be necessary to supply certain fabrics without the spline. Should the fabric require changing and no spline is fitted, the blind can be returned to QMotion UK for fabric replacement. Please call to discuss.

Fixing

Motor noise is affected by the substrate it is fixed in to, this can either increase or decrease motor noise. QMotion UK cannot guarantee motor noise due to the affects the fixing substrate has on the motor noise.

Wire Gauge Requirements

QMotion UK does not supply the wires from the transformer to the shades. Recommended minimum wire gauge requirements for distances between power supply and shade or distribution box and shade are as follows for the required 2 conductor cables:

Wire Length	Min. Wire Gauge
0 - 15m	0.75m

***Consult your local electricity provider or regulatory agency for their guidelines regarding cable installation. Comply with all building codes, safety regulations and legal standards.*

Customer's Own Material (C.O.M.)

In circumstances where the QMotion UK Shades fabric assortment is not similar to a desired material, customers may supply the fabric for the shade using a proprietary roller shade fabric. In this case we may recommend a laminating process which will incur extra costs. Please verify with your fabric supplier that the fabric can perform properly on a flat roller shade.

For a nominal fee of £50 (non refundable) a distributor can get a COM material qualified. To qualify COM material, the distributor must supply the following information to a QMotion UK Customer Service Representative: 1) Fabric specifications (weight & thickness) and 2) A 500mm x 500mm sample material shipped to QMotion UK, 2 Cleveland Way, Hemel Hempstead, Hertfordshire HP2 7DL, United Kingdom. Note: quotes using a COM material are not valid until qualified and approved by QMotion UK engineers. QMotion UK reserves the right to decline any COM material that does not meet quality specifications. All fabric must be shipped to us in ready to use condition, as we will not inspect for quality. Contact our Customer Care Team for material and testing requirements.

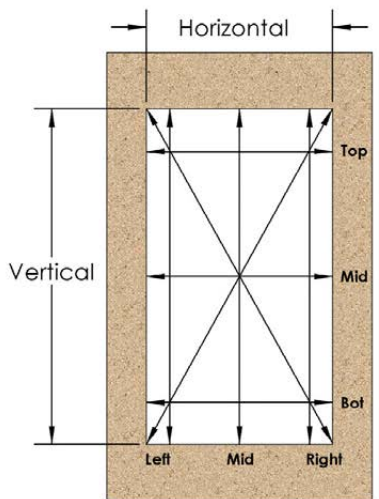
Special Ordered Material (S.O.M.)

In cases where customers desire a material from a supplier of roller shade fabric. This may be colours of our standard styles which are not stocked, or styles from other major suppliers. Please consult with your QMotion UK Customer Care Representative for information about specific fabrics, including pricing and lead times.

Note that in the case of both C.O.M. and S.O.M., there are extended lead times due to inbound freight and production scheduling.



QMotion UK Measurement Instructions



Opening Measurements

Inside Mount



Standard Roll Direction

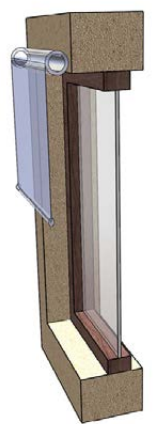


Reverse Roll Direction

Outside Mount



Standard Roll Direction



Reverse Roll Direction

Measure and assess area to be covered:

- Measure opening to be covered vertically and horizontally in three places.
- If vertical measurements vary more than 13mm we recommend an outside mount.
- If horizontal measurements vary more than 13mm we recommend an outside mount.
- Measure and compare diagonals to determine if opening is square.
- If corner to corner diagonal measurements vary more than 13mm we recommend an outside mount.
- Use a level to determine if opening is plumb and square.
- If out of square or out of plumb by more than 13mm we recommend an outside mount.

Measurement rules:

- Make all measurements to the nearest mm. On inside mount applications, round down.
- Measure all windows, even if they appear to be the same size.
- QMotion will automatically deduct 3mm on inside mount applications for ease of fit.

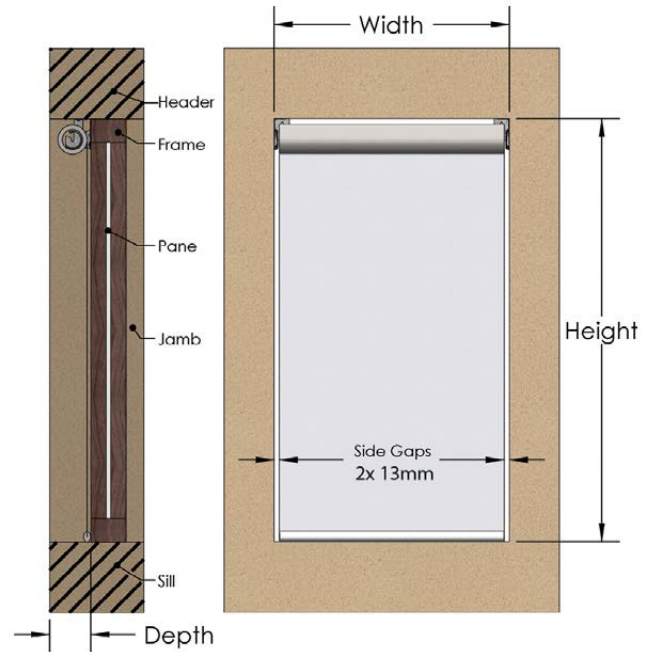
Fixing **IMPORTANT CONSIDERATIONS:** *(All shades ship without fixings, the installer must provide these)*

- There must be significant support structure to hold the shade, i.e. wood, concrete, anchored drywall, etc.
- Standard roll or reverse roll are available. Reverse roll may be needed to free shade path from obstructions, i.e. handles, locks, alarm sensors, moulding, trim, skirting, etc.

QMotion UK Measurement Instructions (cont.)

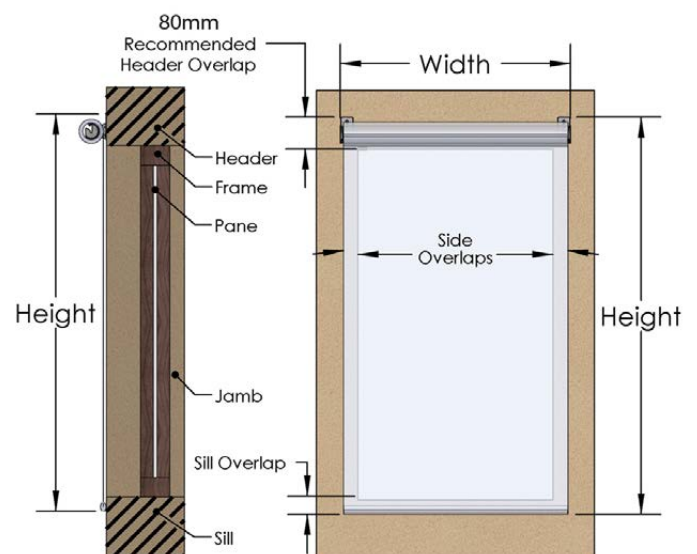
Required order form measurements for **INSIDE MOUNT:**

- Use the top horizontal measurement for **TOP WIDTH**. This is outside of bracket to outside of bracket.
- Use the largest vertical measurement for **HEIGHT**.
- Measure and record **DEPTH**. Use the minimum distance from the outside of opening to the window including window mullions if they exist. This is important in determining if the shade and fascia will protrude into the room and out of the opening.



Required order form measurements for **OUTSIDE MOUNT:**

- Determine **FABRIC WIDTH** based on largest horizontal measurement PLUS total desired side overlap.
- Minimum 38mm side overlap is recommended.
- Establish **WIDTH** dimension by adding 25mm to the **FABRIC WIDTH**. This is outside of bracket to outside of bracket. (Note: brackets extend beyond **FABRIC WIDTH** by 13mm on each side)
- Determine **HEIGHT** by adding 80mm to largest vertical measurement and desired sill overlap. Minimum 25mm sill overlap is recommended.



QMotion UK Remote Settings

Adding or Deleting a Remote

1. Send the shade to top/upper limit.
2. Press & hold the UP button after the shade has stopped.
3. After about 5 seconds the shade will jog down 75mm and back up.
Keep holding the UP button, do not release.
4. After about 10 seconds the shade will start travelling to the 75% position.
 - a. Release the UP button.
 - b. After the shade stops at 75%, tug the shade 150mm. The shade is now in learn mode.
 - i. To add a remote press and hold the UP button on the desired new remote or channel until the shade begins to move up.
 - ii. To delete a remote press and hold the DOWN button on the desired remote or channel to be deleted until the shade begins to move up.
 - c. New remote or channel is added or deleted.

QMotion UK Remote Settings

Factory Reset then Adding a Remote

1. Send the shade to the top/upper limit.
2. Press & hold the UP button after the shade has stopped.
3. After about 5 seconds the shade will jog down 75mm and back up.
Keep holding the UP button, do not release.
4. After about 10 seconds the shade will start travelling to the 75% position.
Keep holding the UP button, do not release.
5. After about 15 seconds the shade will begin to travel to the default shade length (about 500mm). Release the UP button.
6. When the shade stops it will be ready to perform a factory reset.
7. Tug the shade more than 150mm within 10 seconds of the shade stopping to perform a factory reset.
8. The factory reset will, delete all remotes from the shade memory, and reset all programmed positions to factory default settings.
9. The shade will be in learn mode for adding new remotes for one minute.
10. Press and hold the UP button on a new remote or channel until the shade begins to move up.

Note: if a new remote is not added within one minute, the shade will exit learn mode for remotes and can only be operated through tugs. A new remote can only be added by performing:

- i. Removing and re-applying power to the shade, then perform steps 9 & 10 of this section.

Setting Custom QMotion UK Hembar Positions

Learning Custom Up, Down, and Intermediate Hembar Positions

Custom up, down, and intermediate positions may be set on QMotion UK shades.

The process is as follows:

1. Press and release the button corresponding to the position you wish to customise. The shade will move to this position.
2. Press and hold the same button for 5 seconds until the shade jogs up and down.
3. Tug the shade 150mm to enter learn a custom position mode.
4. Move the shade to the desired custom position by rotating the shade roll by hand or pressing the buttons of the remote. Note: the desired position button will be disabled.
5. Once the shade hembar is located in the custom position, press and hold the same button used to enter learn a custom position mode until the shade begins to move UP (about 5 seconds). The shade will travel to the full open state and then to the UP position; after which, the learn a custom position mode will be exited.
6. Press and release the button corresponding to the position you wished to customise. The shade will travel to the new custom position.

Custom positions for up, down, and intermediate hembar positions may be set at any time. If the down hembar position is custom set, intermediate hembar positions that have never been custom set will automatically set to the corresponding button by 25%, 50%, and 75% of the custom down position.

QMotion UK Hembar Activation

QMotion UK Shades incorporate patented and unique tug features that allow the shade to open with just a short tug, or be lowered without the remote.

Tug the hembar less than 26mm

- Shade opens to next highest preset position (example: shade moves from 75% to 50%).

Tug the hembar downward between 26mm - 51mm

- Shade moves to full open.

Tug the hembar MORE than 51mm

- Shade remains at position stopped until pulled or sent up with a remote.

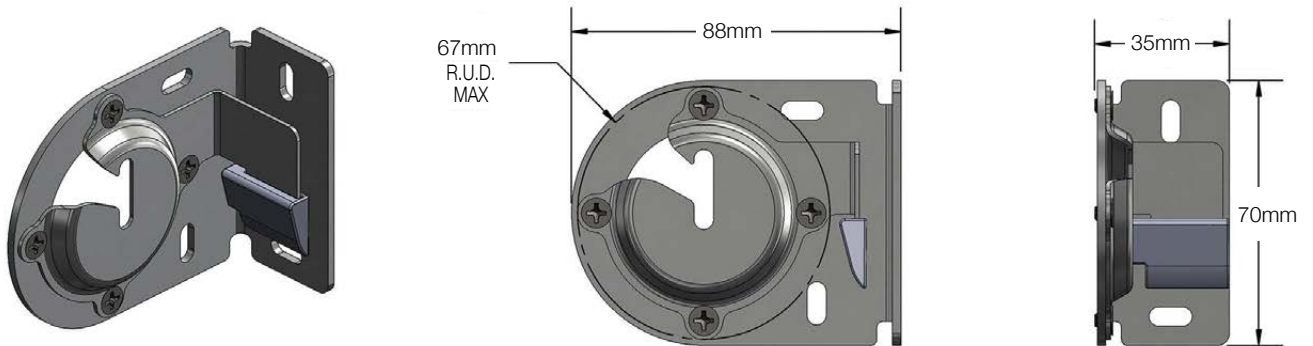
Two successive tugs MORE than 51mm in 10 seconds

- Shade moves to full open.

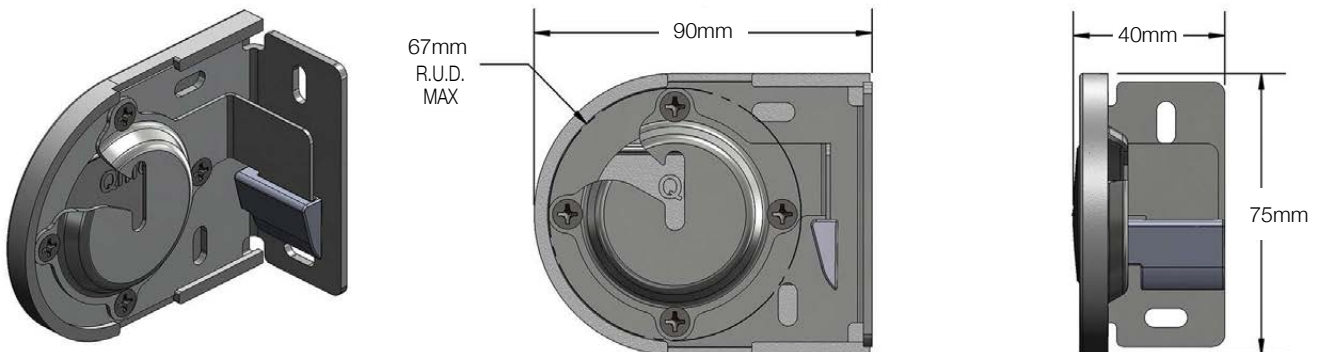


Brackets (Universal Back/Face Mount)

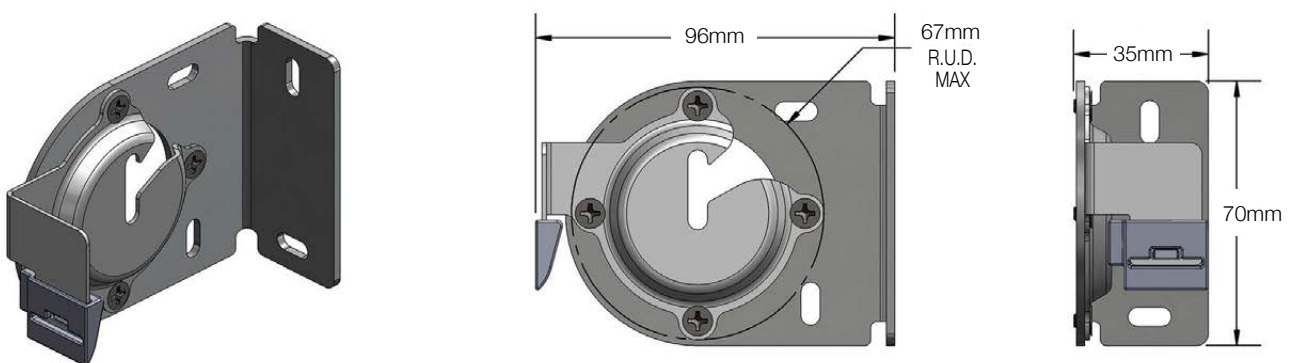
2.6 Universal Bracket Back/Face Mount, no Cover



2.6 Universal Bracket Back/Face Mount, Cover

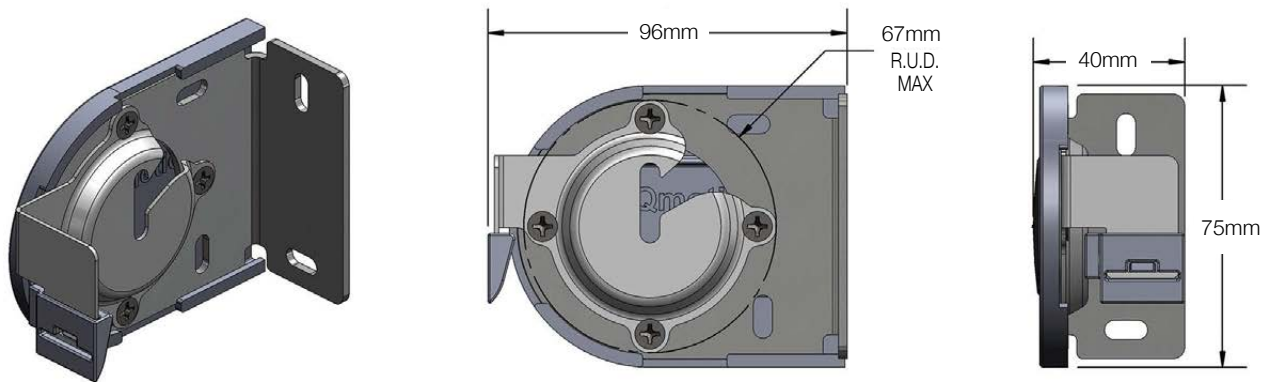


2.6 Universal Bracket Back/Face Mount, no Cover, Reverse

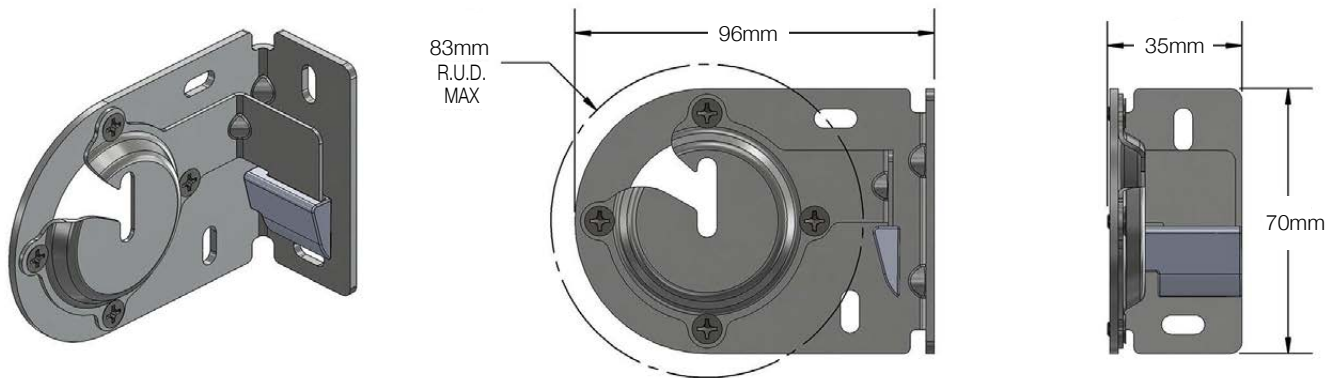


Brackets (Universal Back/Face Mount)

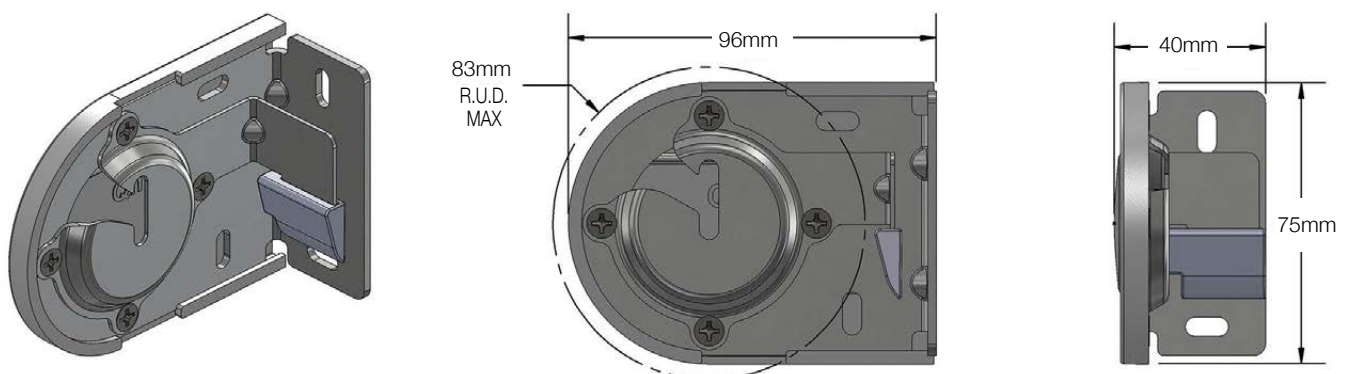
2.6 Universal Bracket Back/Face Mount, with Cover, Reverse



3.3 Universal Bracket Back/Face Mount, no Cover

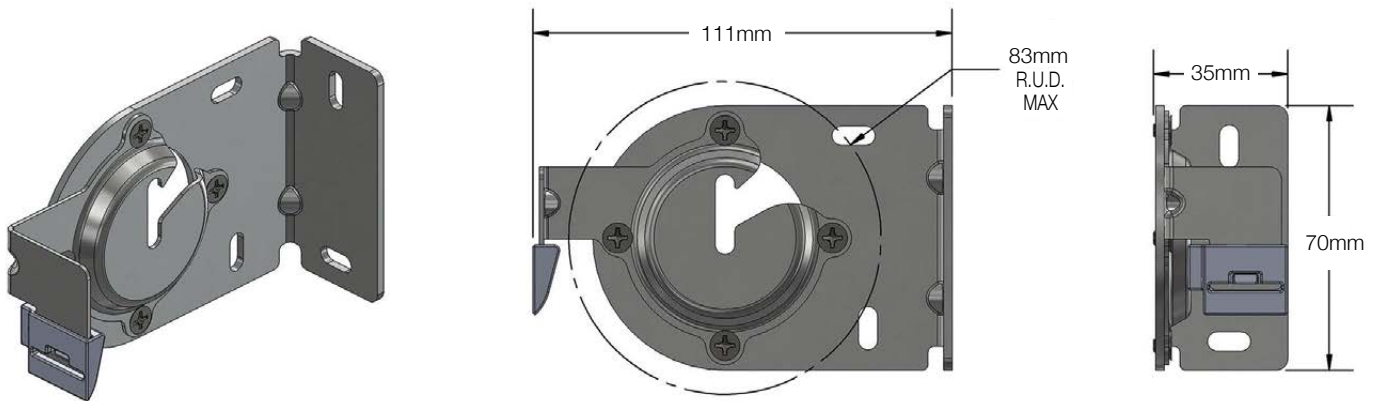


3.3 Universal Bracket Back/Face Mount, with Cover

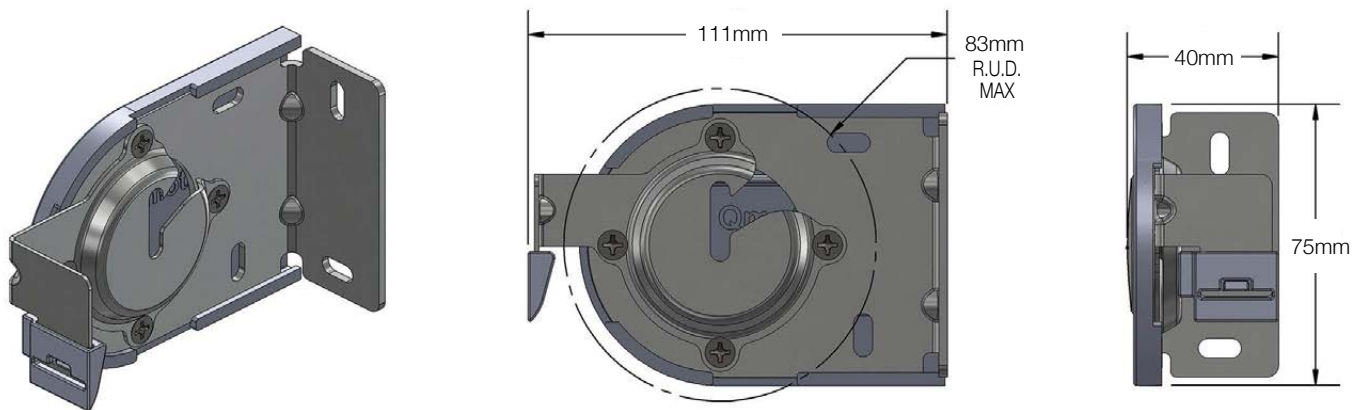


Brackets (Universal Back/Face Mount)

3.3 Universal Bracket Back/Face Mount, no Cover, Reverse

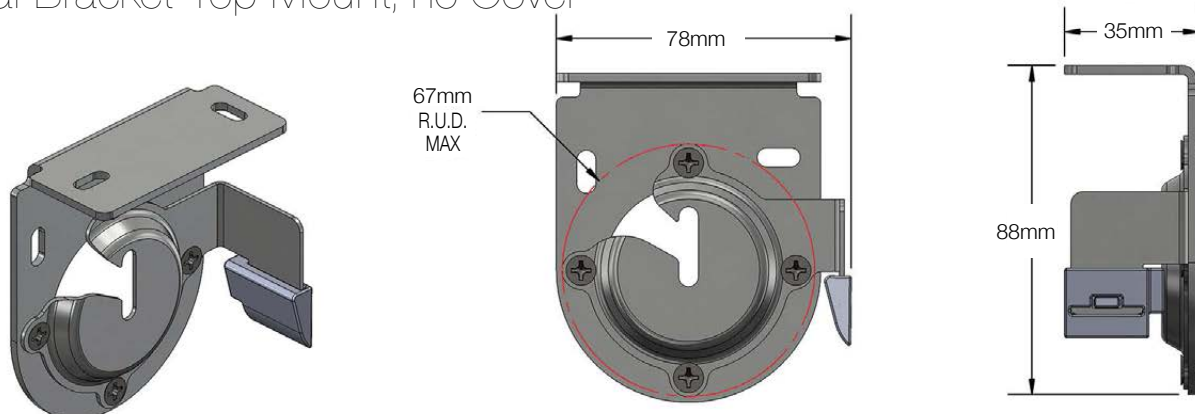


3.3 Universal Bracket Back/Face Mount, with Cover, Reverse

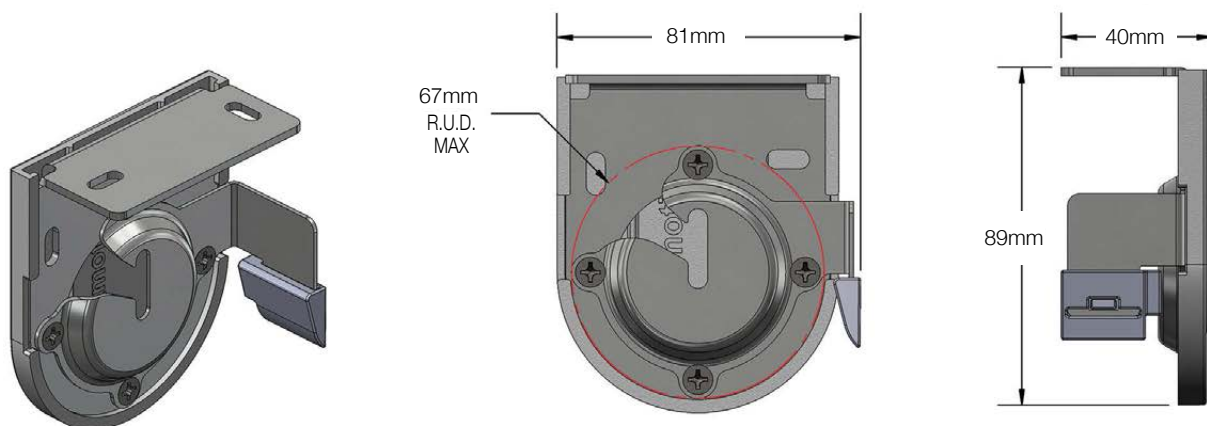


Brackets (Universal Top Mount)

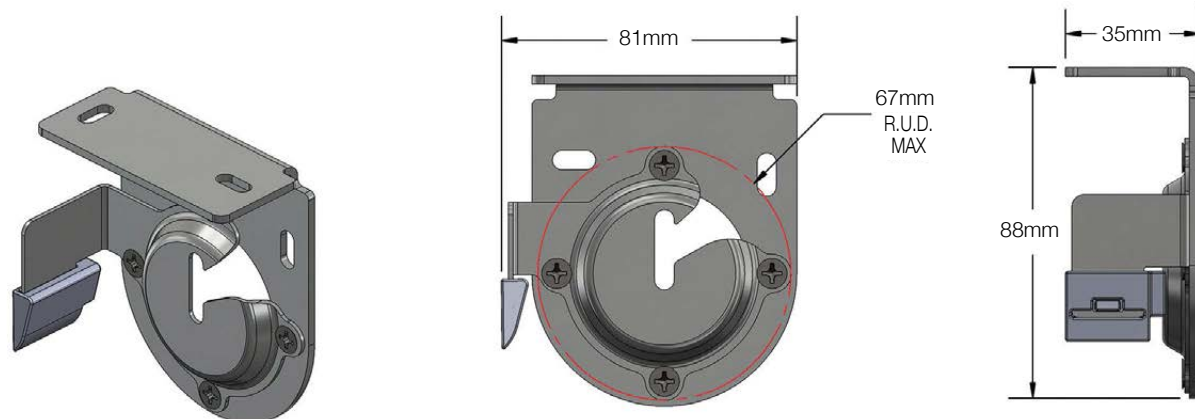
2.6 Universal Bracket Top Mount, no Cover



2.6 Universal Bracket Top Mount, with Cover

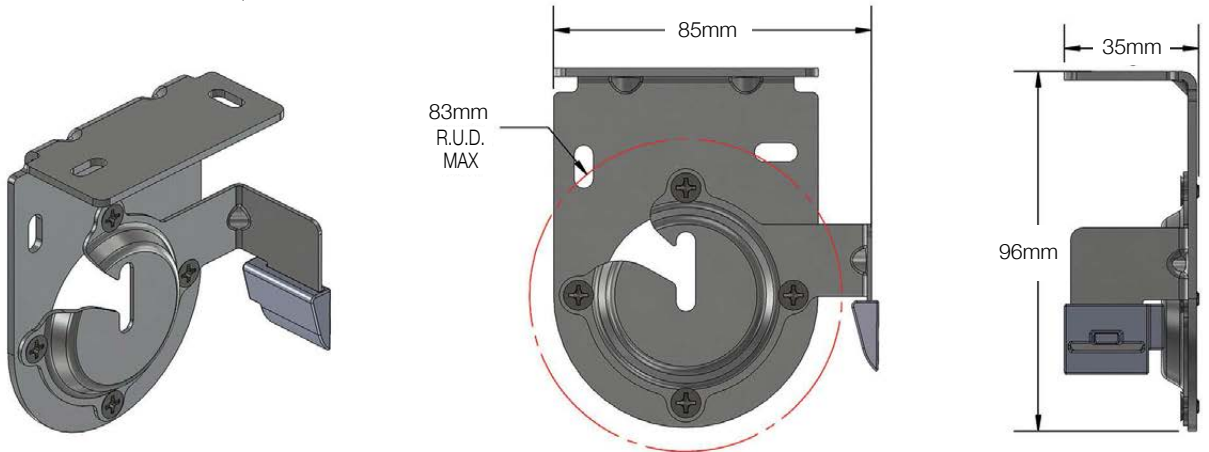


2.6 Universal Bracket Top Mount, Reverse Roll, no Cover

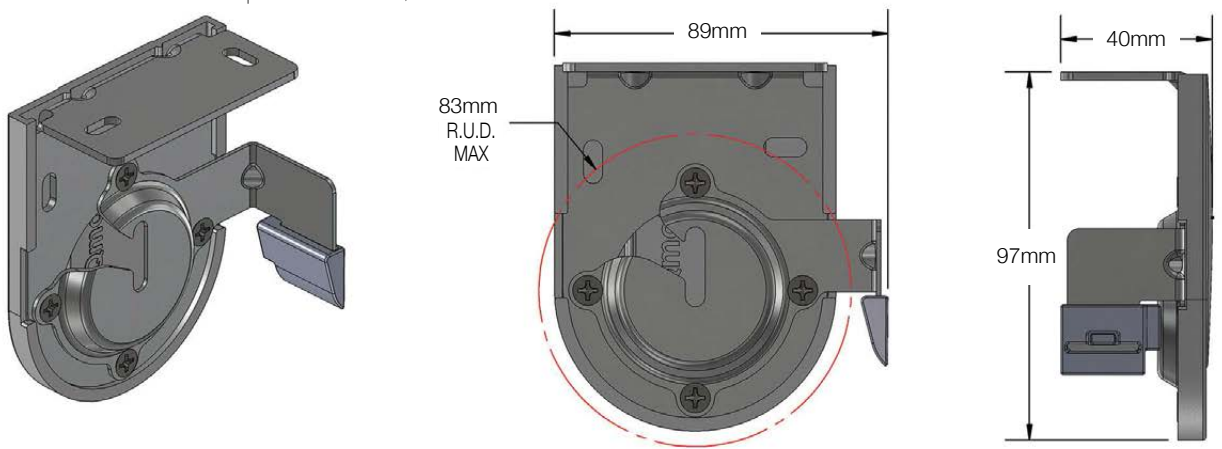


Brackets (Universal Top Mount)

3.3 Universal Bracket Top Mount, no Cover

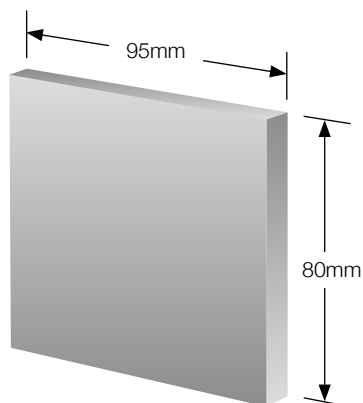


3.3 Universal Bracket Top Mount, with Cover

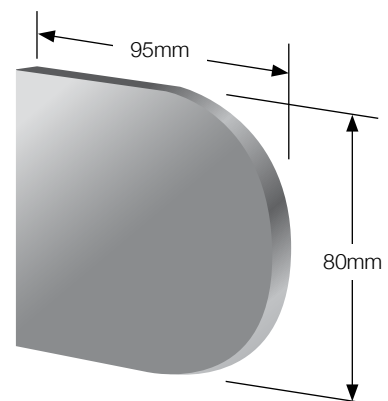


NEW Smart Covers

Square



Rounded

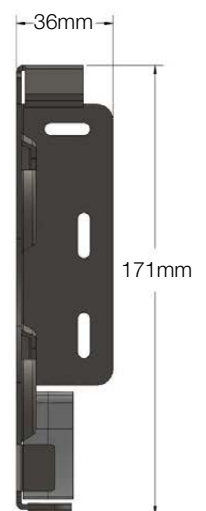
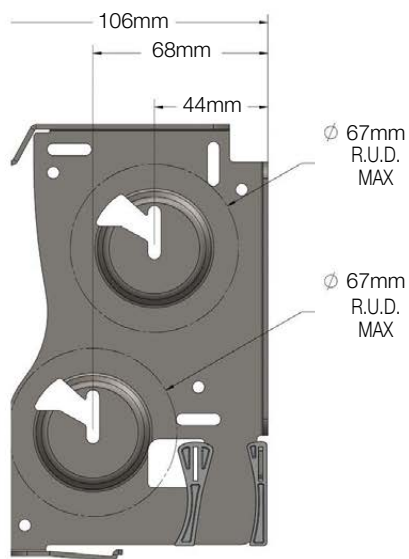
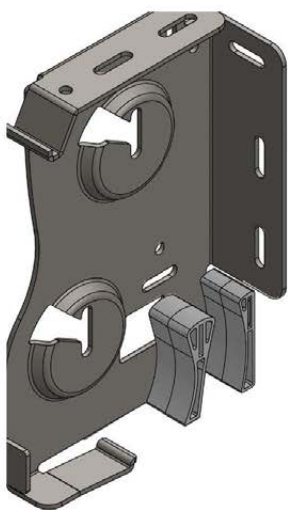
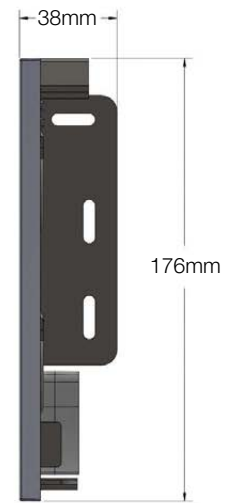
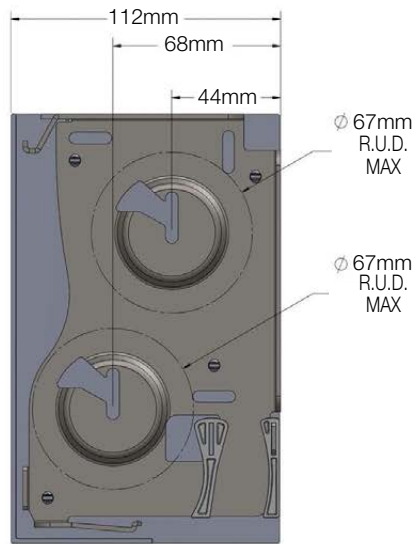
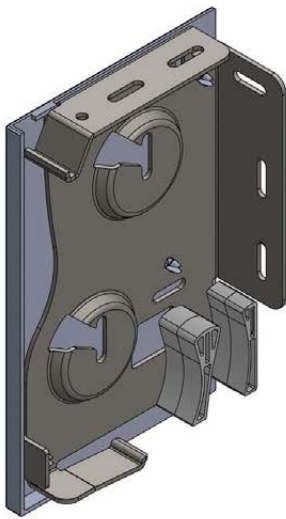


Dual Brackets

Automated

2.6 Dual Bracket

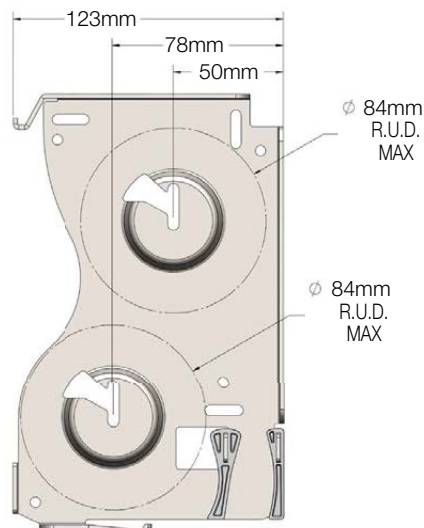
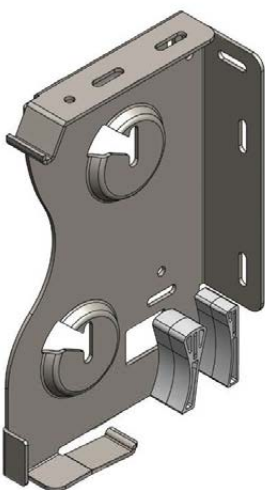
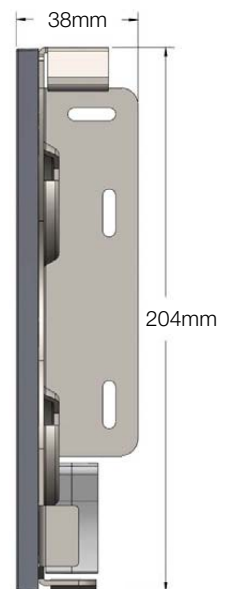
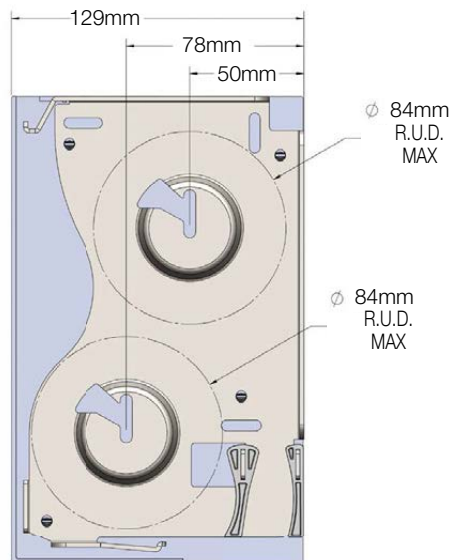
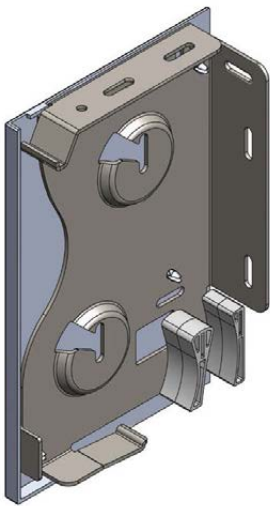
*Standard roll application only



Dual Brackets Cont. Automated

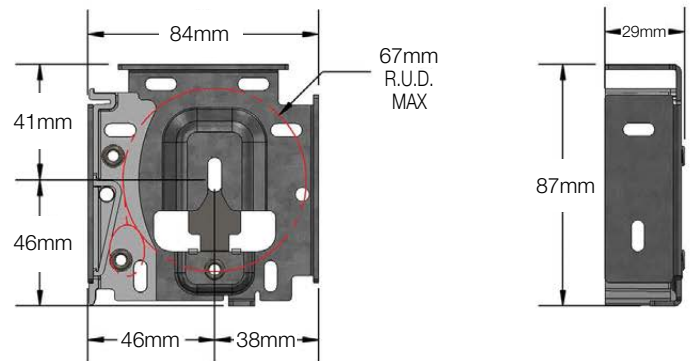
3.3 Dual Bracket

*Standard roll application only

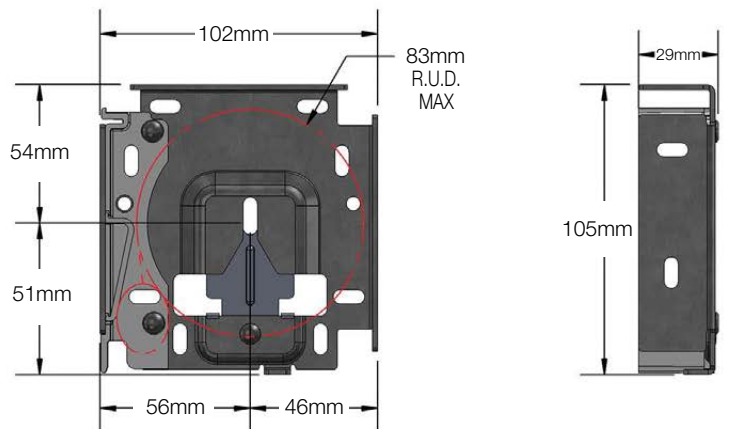


Fascia Brackets

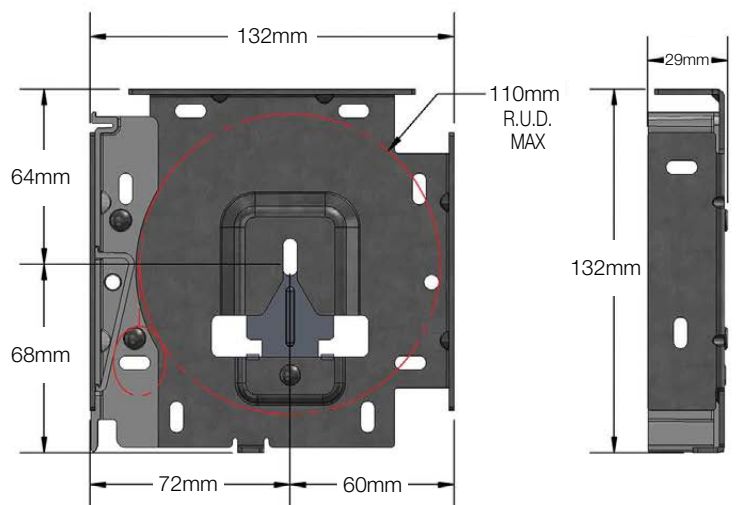
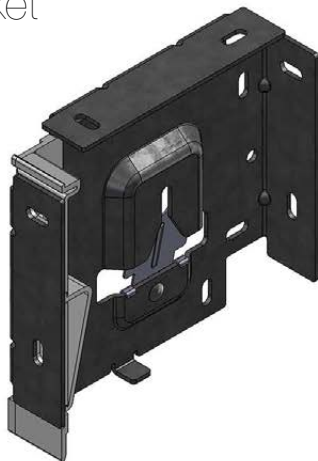
2.6 Fascia Bracket



3.3 Fascia Bracket



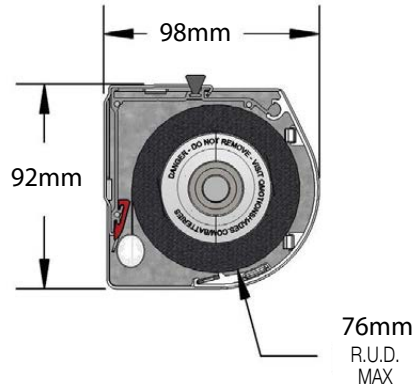
4.3 Fascia Bracket



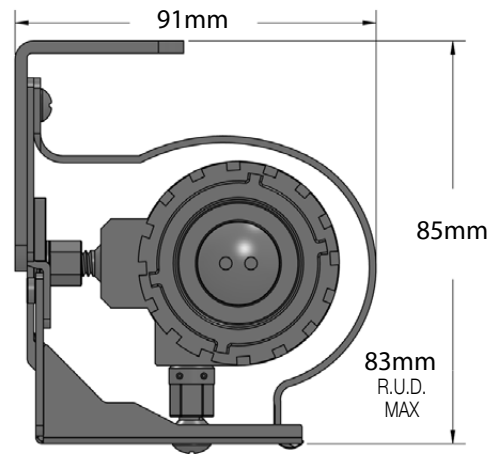
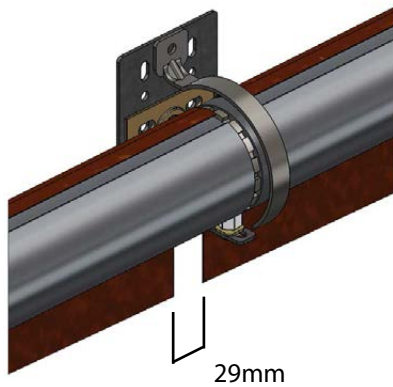
Cassette



NOTE: Max. width available is 2440mm



Qlink



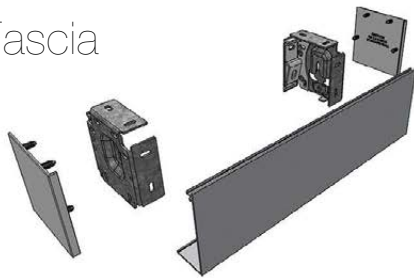
3.3 TOP MOUNT

* R.U.D. indicates the maximum likely diameter on the system. Check fabric charts for specific shade diameters.

QMotion UK Fascia (2.6)

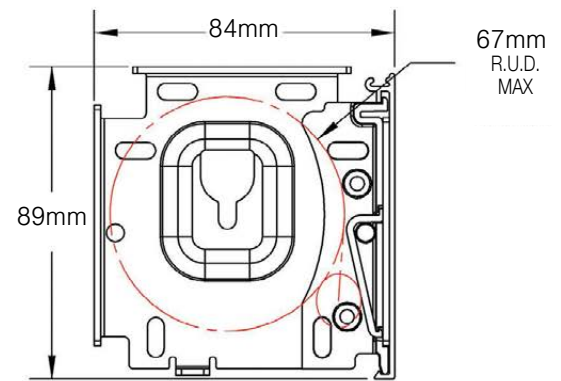
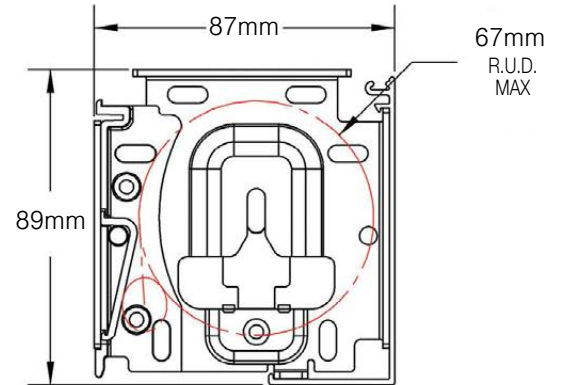
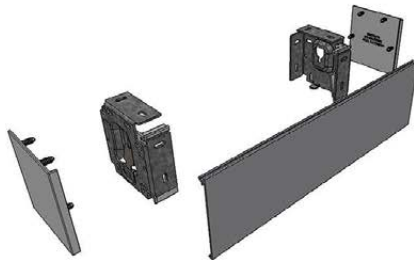
Standard Fascia

Including end caps



Reverse Fascia

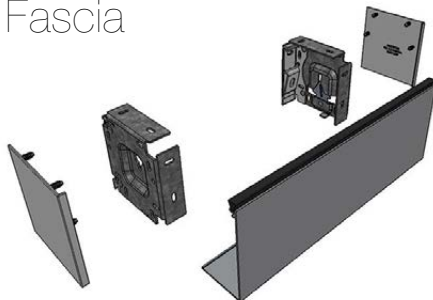
Including end caps



QMotion UK Fascia (3.3)

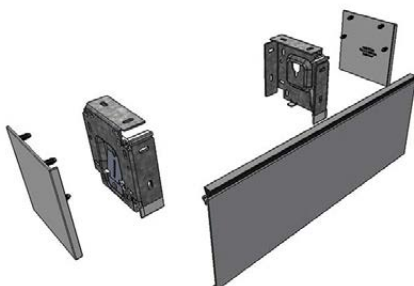
Standard Fascia

Including end caps

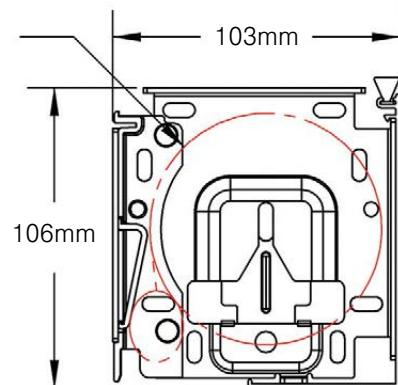


Reverse Fascia

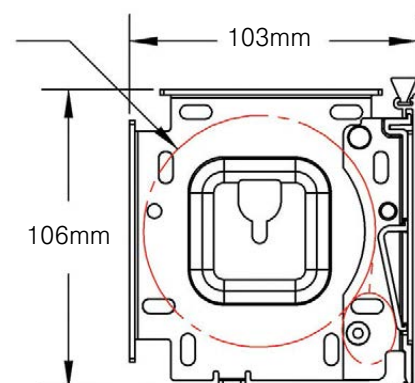
Including end caps



83mm
R.U.D.
MAX



83mm
R.U.D.
MAX



Copyright Notice and Disclaimer

All rights reserved. No parts of this manual may be reproduced in any form without the express written permission of QMotion UK. QMotion UK makes no representations or warranties with respect to the contents hereof. In addition, information contained herein are subject to change without notice. Every precaution has been taken in the preparation of this manual. Nevertheless, QMotion UK assumes no responsibility for errors or omissions or any damages resulting from the use of the information contained in this publication.

QMotion UK is a trading name for Claxton QM Ltd.

Environmental Statement

RoHS COMPLIANT

WEEE (Waste Electrical and Electronic Equipment) Statement

Disposal of Waste Equipment by Users in Private Household in the European Union

This symbol on the product or on its packaging indicates that this product must not be disposed of with your other household waste. Instead, it is your responsibility to dispose of your waste equipment by handing it over to a designated collection point for the recycling of waste electrical and electronic equipment. The separate collection and recycling of your waste equipment at the time of disposal will help to conserve natural resources and ensure that it is recycled in a manner that protects human health and the environment.

For more information about where you can drop off your waste equipment for recycling, please contact your household waste disposal service or the distributor from whom you purchased the product.

Limited Warranty

QMotion UK, (the “Manufacturer”) warrants that this QMotion UK window shade product will be free from defects in materials and workmanship for 5 years, beginning from the date first sold to the commercial or residential consumer who has, or intends to, use the product, as evidenced by such consumer’ proof of purchase:

Exclusions From this Limited Warranty: This limited warranty shall be null and void and no part of it shall apply if any one of the following occur: 1) the product has not been properly installed by a qualified installer in accordance with all Manufacturer specifications; 2) the product has been subject to unauthorised service; 3) the product has been subject to mis-handling, misuse, or abuse; 4) the product has been modified; 5) the product has suffered damage resulting from lightning, power surges, vandalism, fire, earthquake, acts of nature, or any other cause which the product was not designed to withstand; 6) the product has been used, or attempted to be used, for other than the customary usage or for other than the product’s intended use; 7) the product has not been maintained; 8) damage to the product caused by battery decay or corrosion.

This Limited Warranty extends only to the original owner. This Limited Warranty is not transferable. This Limited Warranty does not cover normal wear & tear or deterioration which occurs with the passage of time.

Batteries originally provided with a new product, if any, are produced by a third party and are not warranted by Manufacturer.

No employee, distributor, dealer, agent or representative is authorised to change the terms of this Limited Warranty in any way, to extend the warranty time periods, or to grant additional warranties, and no attempt to do any of the foregoing will be binding upon Manufacturer.

IF THIS LIMITED WARRANTY COVERS A CONSUMER PRODUCT, AS DEFINED BY THE MAGNUSON-MOSS WARRANTY ACT, THEN NO WARRANTIES, EXPRESSED OR IMPLIED (INCLUDING, BUT NOT LIMITED TO, THE WARRANTY OF MERCHANTABILITY OR FITNESS FOR A PARTICULAR PURPOSE) SHALL EXTEND BEYOND THE APPLICABLE TIME PERIOD STATED IN BOLD FACE TYPE ABOVE. IF THIS LIMITED WARRANTY COVERS A COMMERCIAL PRODUCT, THEN THIS LIMITED WARRANTY IS IN LIEU OF ALL OTHER REPRESENTATIONS, GUARANTEES, OR OTHER EXPRESS OR IMPLIED WARRANTIES (INCLUDING, WITHOUT LIMITATION, THE WARRANTY OF MERCHANTABILITY OR FITNESS FOR A PARTICULAR PURPOSE) AND ALL SUCH OTHER EXPRESSED OR IMPLIED WARRANTIES ARE HEREBY SPECIFICALLY DISCLAIMED.

Claims for defects in material and workmanship covered by this Limited Warranty must be made in writing to the distributor from whom the product was originally first purchased within the warranty period stated above. Manufacturer may either send a service representative or have the product returned to Manufacturer's facility, at Buyer's expense, for inspection. If judged by Manufacturer to be defective in material or workmanship, and to otherwise be covered by this Limited Warranty, the product will be replaced or repaired at the option of Manufacturer, in its sole and absolute discretion, free from all charges except authorised transportation and replacement labour. Replacement labour, transportation costs, and any other costs or charges by the dealer, wholesaler, distributor, contractor, or installer are not covered by this Limited Warranty. Any replacement unit may be a model determined by Manufacturer to be equivalent to the defective model, or a product that has been factory refurbished. The remainder of original warranty period will apply to any repair/replacement unit.

THE REMEDIES OF BUYER SET FORTH IN THIS LIMITED WARRANTY ARE EXCLUSIVE AND ARE IN LIEU OF ALL OTHER REMEDIES. THE LIABILITY OF MANUFACTURER WHETHER IN CONTRACT, TORT, UNDER ANY WARRANTY OR OTHERWISE, SHALL NOT EXTEND BEYOND ITS OBLIGATION TO REPAIR OR REPLACE, AT ITS OPTION, ANY PRODUCT OR PART FOUND BY MANUFACTURER TO BE DEFECTIVE IN MATERIAL OR WORKMANSHIP AND OTHERWISE SUBJECT TO THIS LIMITED WARRANTY. MANUFACTURER SHALL NOT BE RESPONSIBLE FOR ANY DIRECT, INDIRECT, SPECIAL OR CONSEQUENTIAL DAMAGES OF ANY NATURE.

This Warranty gives specific legal rights and the Buyer may have other rights, which may vary from EEC State to State. However, some states do not allow limitations on how long an implied warranty lasts or the exclusion or limitation of incidental or consequential damages so the above limitations or exclusions may not apply specific buyers.

QMotion UK
2 Cleveland Way
Hemel Hempstead
Hertfordshire HP2 7DL
United Kingdom
UK Tel +44 (0) 845 450 1606
info@qmotionshades.co.uk
www.qmotionshades.co.uk