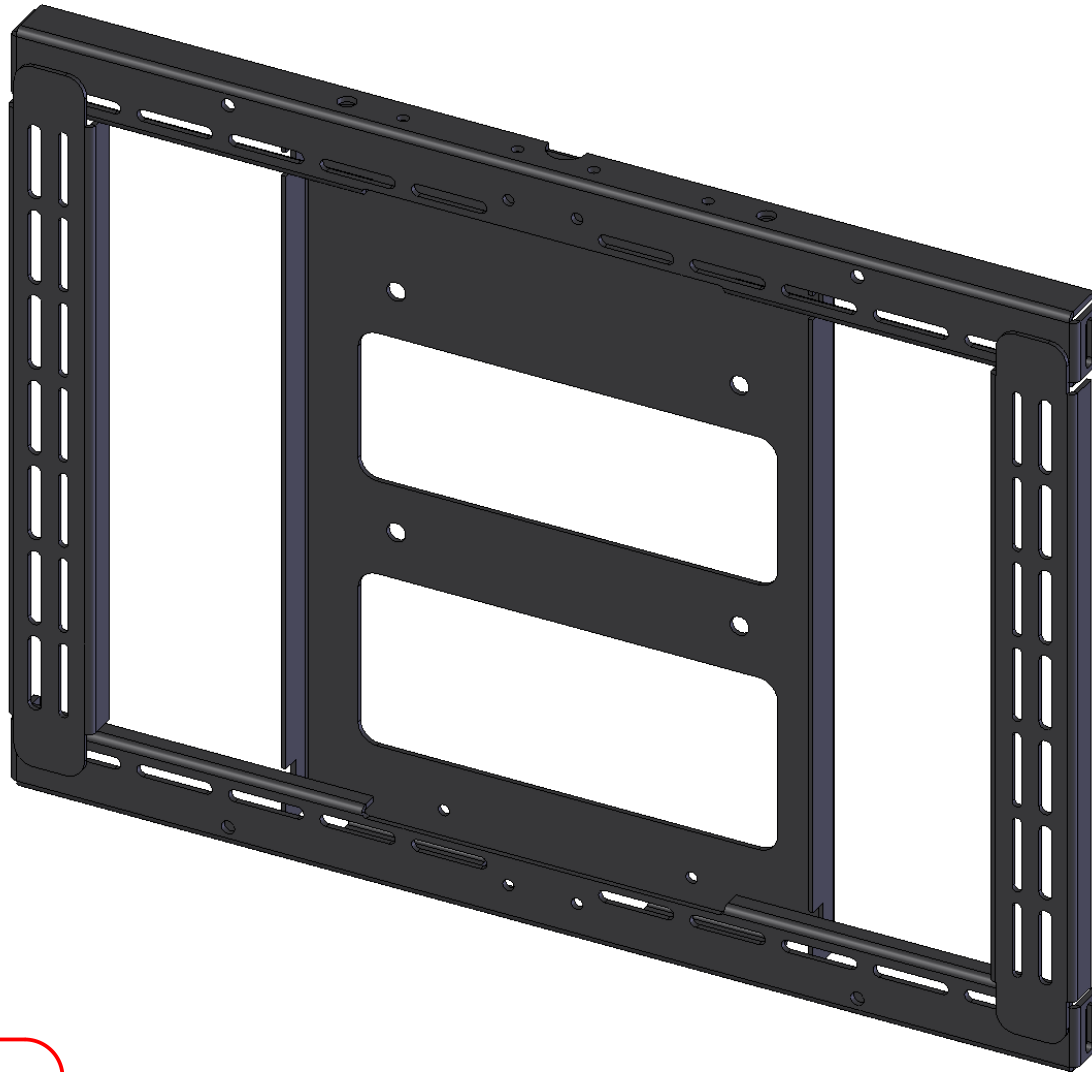


PFC Plasma Flat Mount 'Group C'

Technical Sheet

Sheet 1 of 3
ISSUE: 003
www.futureautomation.co.uk



FUNCTION

The PFC mount enables a 26" to 37" screen to be mounted on a wall, keeping it as flat as possible to the wall itself.

SUITABILITY

All screens in our 'Group C' will fix straight on to the PFC.

Can be fitted in a recess.

SPECIFYING

Check the wall make up for suitability.

Check viewing angles and position.

WALL FIXINGS

No fixings are provided with this product. Consider using rawlbolts or resin anchors. Resin anchors are ideal for softer brickwork or blocks.

WARNING

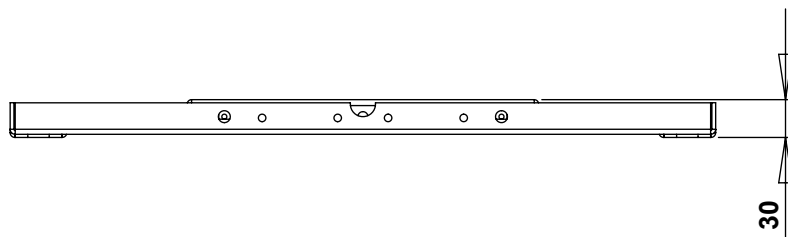
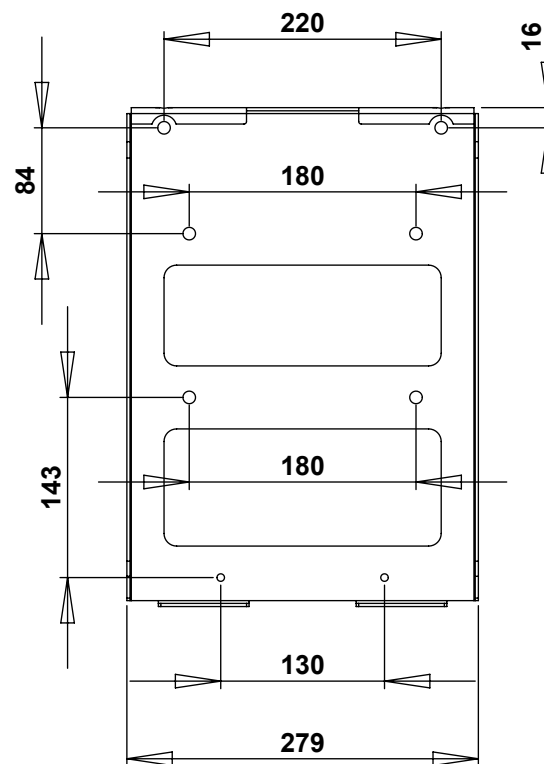
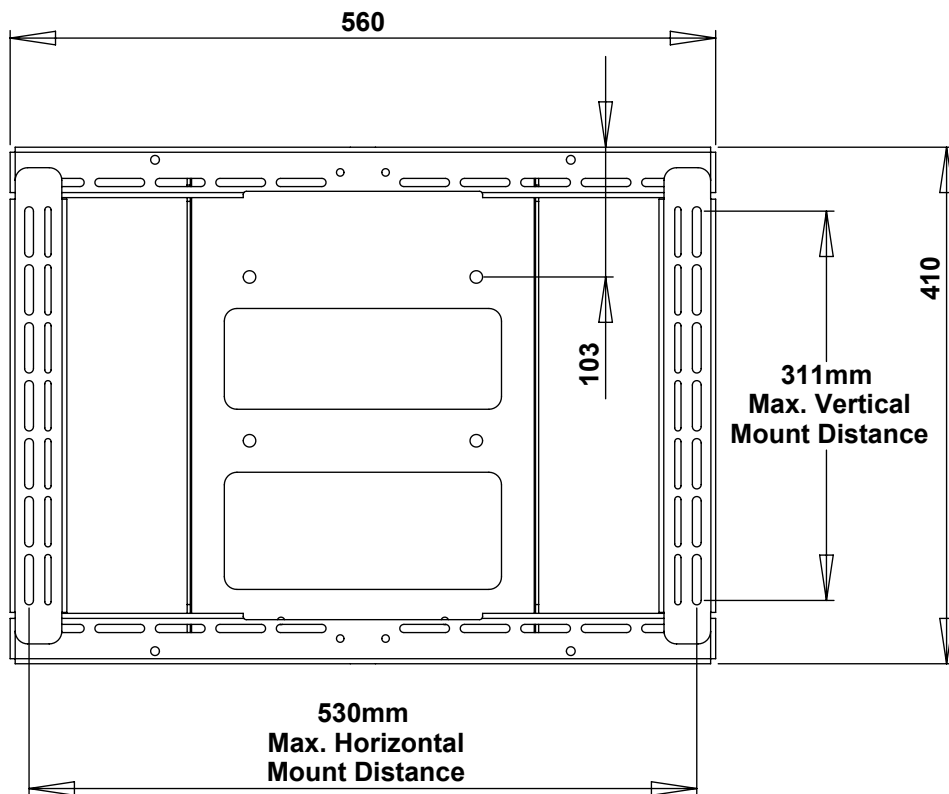
It is the responsibility of the installer to make sure this product is safely secured to the wall or ceiling.



FUTUREAUTOMATION

PFC Plasma Flat Mount 'Group C' Technical Sheet

Sheet 2 of 3
ISSUE: 003
www.futureautomation.co.uk



FIXING
Fix wall plate to wall
Fix frame to plasma screen

Hang plasma on
wall mounted frame

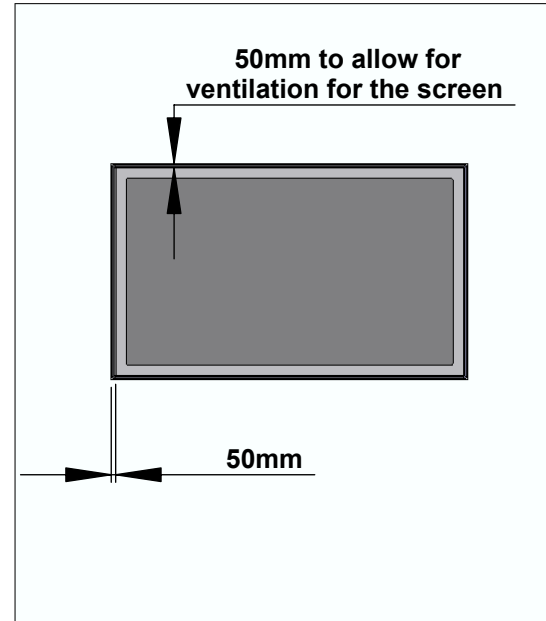
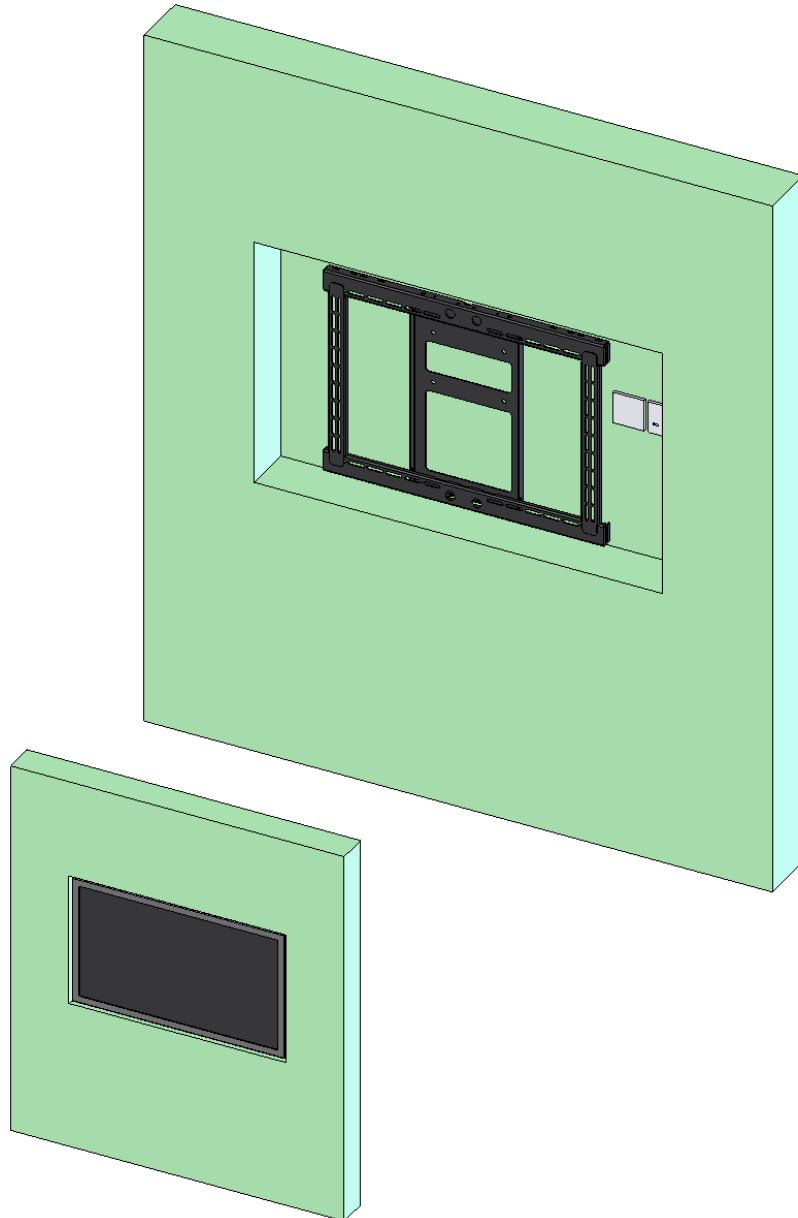
FIXING
6 main fixing holes
on the wall plate
Wall plate must be fixed on
a strong, solid surface.



FUTUREAUTOMATION



Recess Mounting



The whole area of the wall plate needs to be well supported. Ideally solid plaster over brickwork. If stud work then thick timber (50mm) to screw into around the top six mounting holes.

Depth of recess should be screen depth + 30mm + 10mm spare

