

# SONANCE SOUNDBAR

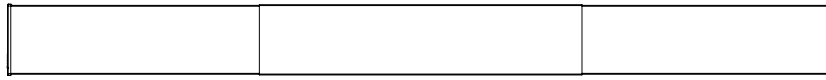
## QUICKSTART GUIDE - BRACKET WALL MOUNT

Adjustable Width Soundbar Models: SB46 L | SB46 M

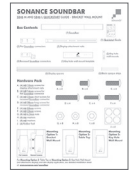
Fixed Width Soundbar Models: SB46-55 | SB46-65 | SB46-75 | SB46-85



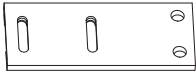
### Box Contents



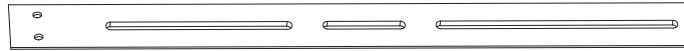
(1) Soundbar



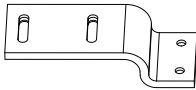
(1) Quickstart Guide



(2) Flat Soundbar connectors



(2) Display attachment rails



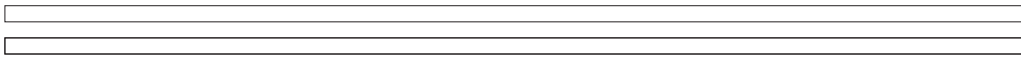
(2) Recessed Soundbar connectors



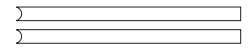
(1) Key hole wall mount template



(2) Key hole wall mounts



(2) Display spacers

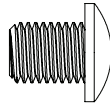


(2) Black opaque strips

(Included with adjustable width soundbars only)

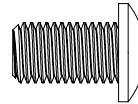
### Hardware Pack

A. (4) M8 10mm screws for display attachment rails



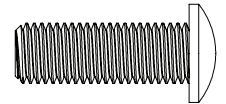
A. x 4

B. (4) M8 14mm screws for flat Soundbar connector



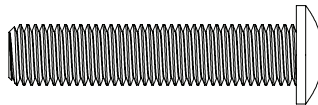
B. x 4

C. (4) M8 23mm short screws for recessed Soundbar connector

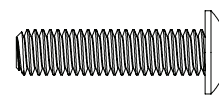


C. x 4

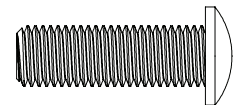
D. (4) M8 38mm long screws for recessed Soundbar connector



D. x 4



E. x 4



F. x 4

E. (4) M6 25mm screws

F. (4) M8 25mm screws

G. (8) M8 nuts

H. (8) M6 washers

I. (8) M8 washers

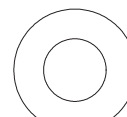
J. (4) Rubber feet



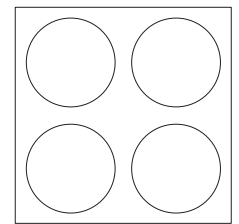
G. x 8



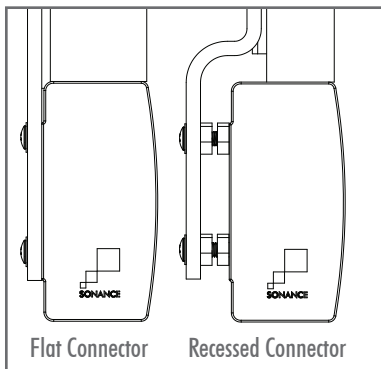
H. x 8



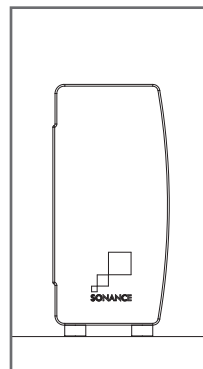
I. x 8



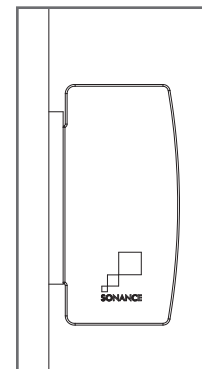
J. x 4



**Mounting Option 1:  
Bracket  
Wall Mount**



**Mounting Option 2:  
Table Top**



**Mounting Option 3:  
Key Hole  
Wall Mount**

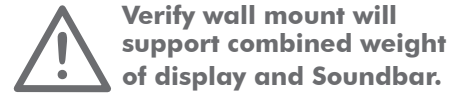
For **Mounting Option 2: Table Top** or **Mounting Option 3: Key Hole Wall Mount** (not attached to display) and slim display application, see detailed installation manual at: [www.sonance.com/home-theater/soundbar/soundbar](http://www.sonance.com/home-theater/soundbar/soundbar)

# SONANCE SOUNDBAR

## QUICKSTART GUIDE - BRACKET WALL MOUNT

Adjustable Width Soundbar Models: SB46 L | SB46 M

Fixed Width Soundbar Models: SB46-55 | SB46-65 | SB46-75 | SB46-85



**SB46 M (24 lbs. installed)** Suitable for displays 50" - 65" (1270mm to 1651mm)

**SB46 L (29 lbs. installed)** Suitable for displays 70" - 80" (1778mm to 2032mm)

**SB46-55 (? lbs. installed)**

Height: 5 9/32" (134mm)

Depth: 2 9/16" (65mm)

Width: 48 5/16" (1227mm)

**SB46-65 (? lbs. installed)**

Height: 5 9/32" (134mm)

Depth: 2 9/16" (65mm)

Width: 56 15/16" (1445mm)

**SB46-75 (? lbs. installed)**

Height: 5 9/32" (134mm)

Depth: 2 9/16" (65mm)

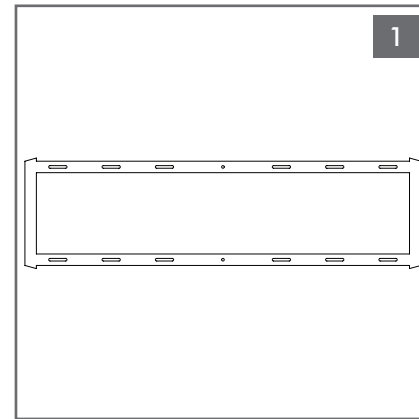
Width: 66" (1676mm)

**SB46-85 (? lbs. installed)**

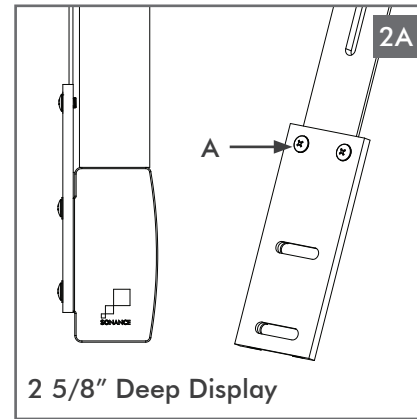
Height: 5 9/32" (134mm)

Depth: 2 9/16" (65mm)

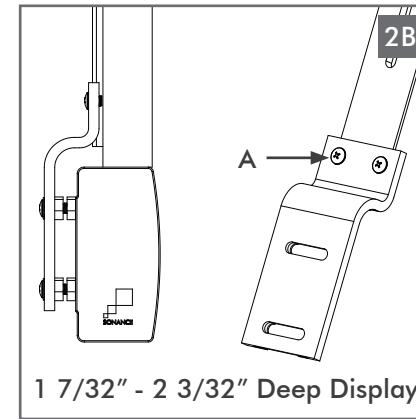
Width: 75 1/4" (1911mm)



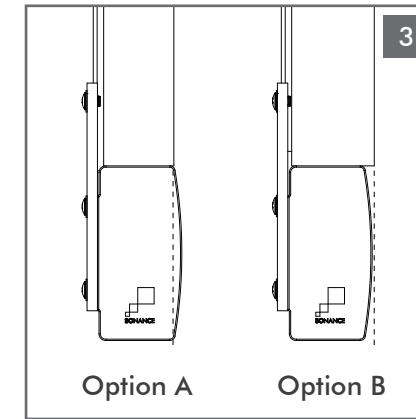
Install display mount to wall per manufacturer's instructions.



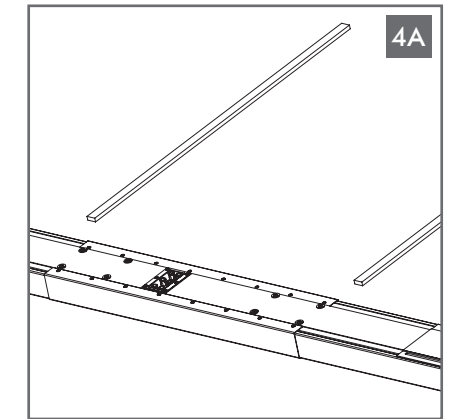
Choose & attach the correct Soundbar connector with (A) screws. The flat Soundbar connector will align with 2 5/8" (65mm) deep displays.



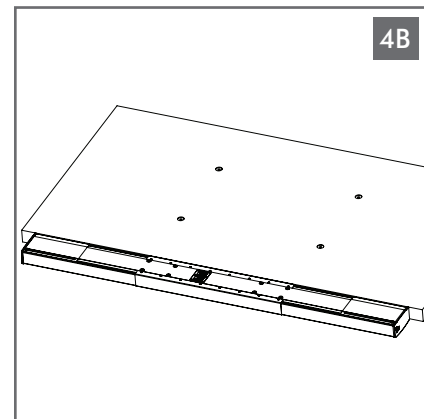
The recessed Soundbar connector will align with displays from 1 7/32" - 2 3/32" (31.74mm - 53mm) deep. Use (C) or (D) screws and (G) nuts.



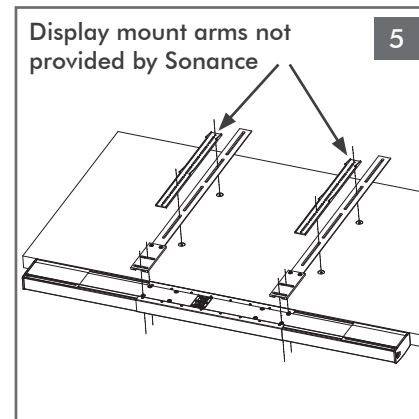
**Alignment options for Soundbar:**  
**A)** Top edge of Soundbar aligned with front of display. **B)** Front radius of Soundbar aligned with front of display.



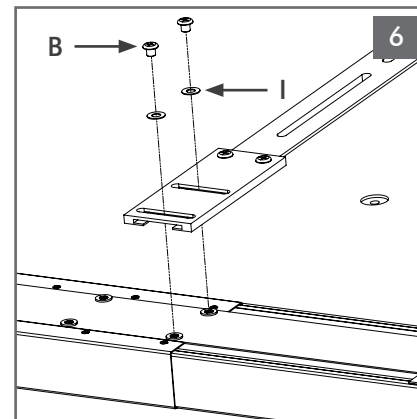
**Option A:** Use included 8mm display spacers. This creates the offset needed for bottom of display to align with top of Soundbar. Carefully place display on top of spacers. Be careful not to scratch front of display. Skip step 4B.



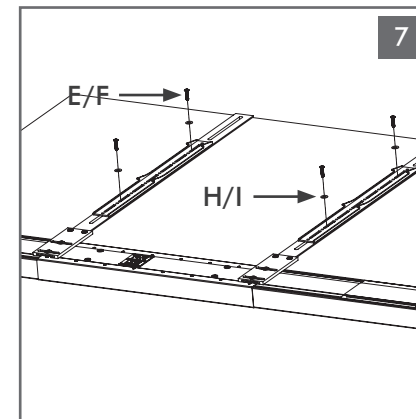
**Option B:** Lay display & Soundbar on same surface (without display spacers). Be careful to not scratch front of display.



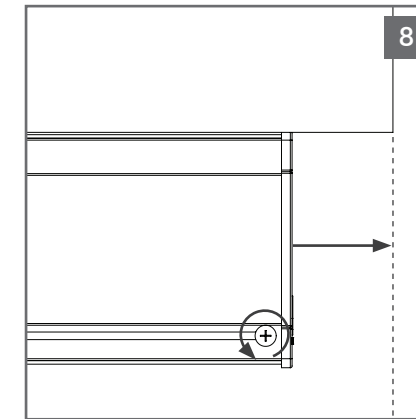
Place attachment rails on display & Soundbar making sure that holes and rails are aligned.



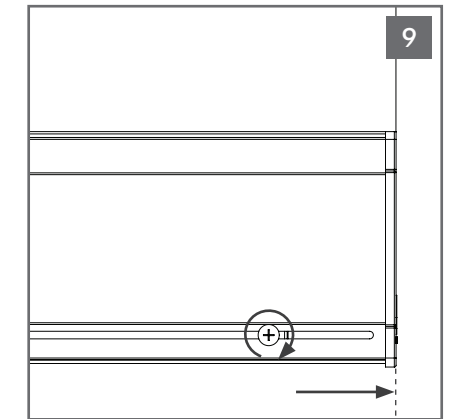
Position Soundbar as close to display as possible. Firmly fasten (B) screws & (I) washers to connect Soundbar to the Soundbar connectors.



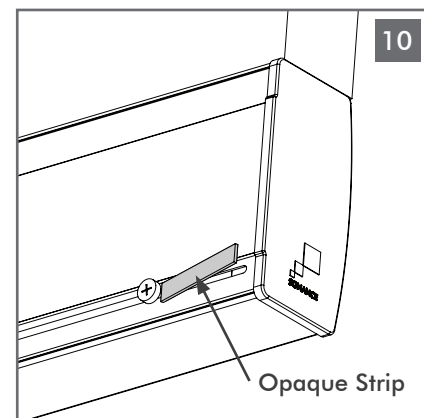
Install display wall bracket using spacers & screws supplied with display mount or (E)/(F) screws & (H)/(I) washers. Hardware will vary. It is recommended to keep spacers provided with display.



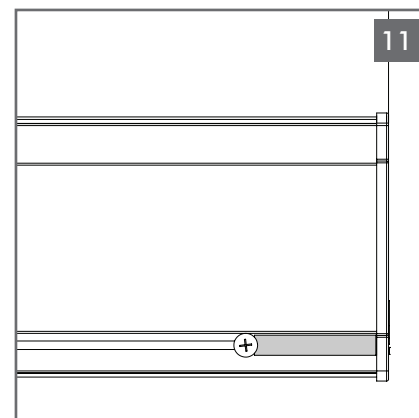
Loosen screw to allow for adjustment of Soundbar grille. No tool required.



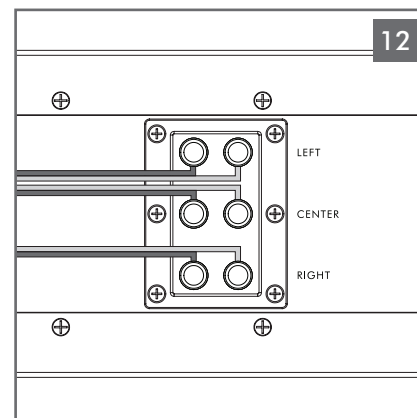
Slide grille to edge of display & tighten screw. No tool required.



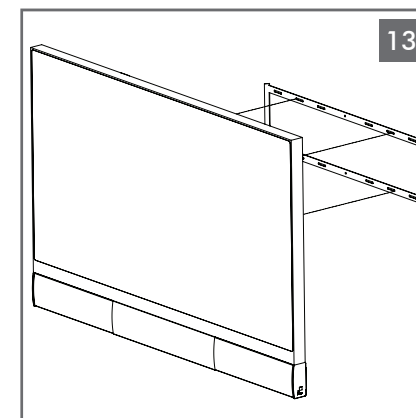
Cover open area with black opaque strip & cut to size. This will prevent any light from passing through grille.



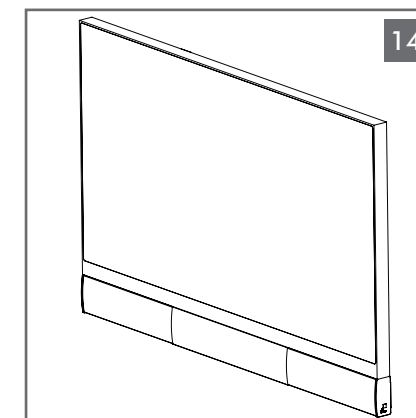
Finished view.



Complete wiring to Soundbar & display. If possible, leave enough wire out of the wall to allow for connection prior to mounting to wall bracket.



Carefully mount display & Soundbar to wall bracket. **NOTE:** When lifting, be careful not to place too much pressure on, or twist, the Soundbar. This could bend the bracket.



Soundbar installation is now complete & ready for audio system calibration.

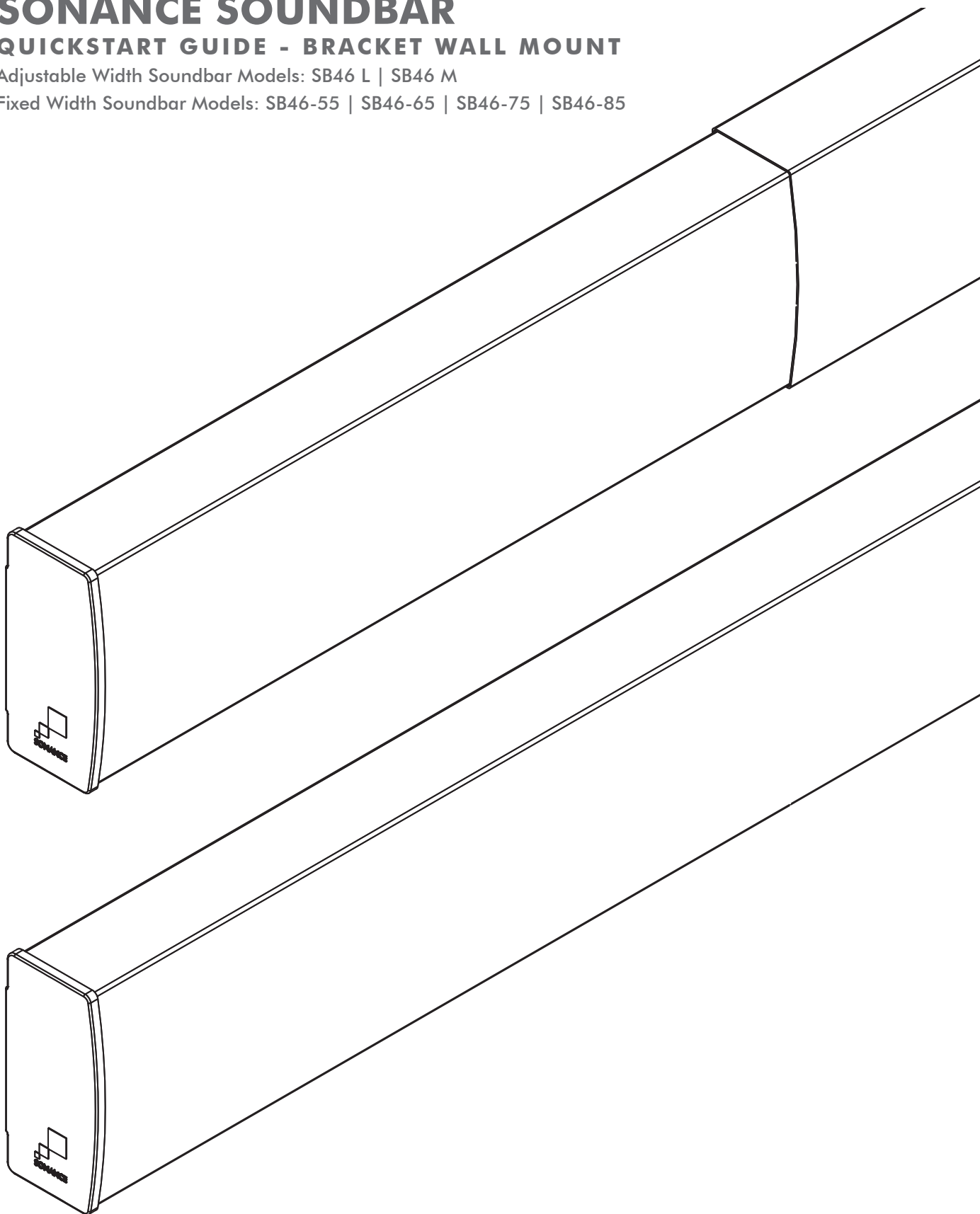
For detailed installation manual visit:  
[www.sonance.com/home-theater/soundbar/soundbar](http://www.sonance.com/home-theater/soundbar/soundbar)

# SONANCE SOUNDBAR

## QUICKSTART GUIDE - BRACKET WALL MOUNT

Adjustable Width Soundbar Models: SB46 L | SB46 M

Fixed Width Soundbar Models: SB46-55 | SB46-65 | SB46-75 | SB46-85



©2014 Sonance. All rights reserved.

Sonance is a registered trademark of Dana Innovations.

Due to continuous product improvement, all features and specifications are subject to change without notice. For the latest Sonance product specification information, visit our website: [www.sonance.com](http://www.sonance.com)

SONANCE • 991 Calle Amanecer • San Clemente, CA 92673 USA  
(949) 492-7777 • FAX: (949) 361-5151 • Technical Support: (949) 492-7777  
[www.sonance.com](http://www.sonance.com)

33-5917 11.28.18