



Model: WS NC FOR C4 T4 10"

Model No.: 007-1-848

Family: WALL-SMART

DWG NO. 007-4-848-SPC

PRODUCT SPEC.

REVISION A

DATE 04/AUG./2020



Make Your Wall Smart

"WS NC FOR C4 T4 10" - Product description:

The "WS NC FOR C4 T4 10" is an adapter for in-wall flush installation of Control4 T4IW10 touch screen.

The "WS NC FOR C4 T4 10" firmly mounts the touch screen while allowing easy access, insertion and operation.

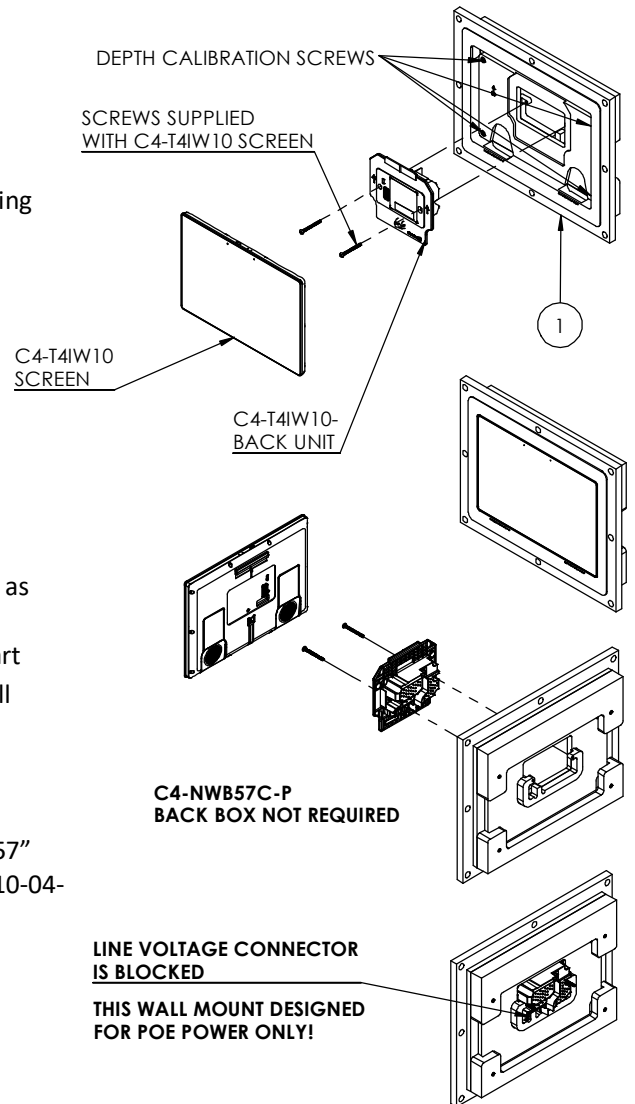
FOR LOW VOLTAGE (POE) ONLY

Key features and benefits:

- Flush with the wall.
- Paintable with the wall paint in any color and texture.
- Includes depth calibration mechanism.
- Allows easy insertion and removal of the touch screen.
- The adapter is supplied unpainted (To be painted after installation as part of the wall).
- Designed to be installed in 1/2" drywall. Installation of the Wall-Smart adapter is straight-forward. Installation process is similar to drywall construction procedures. Before installation, read Wall-Smart installation instruction 10-04-00101-INS in <http://www.wall-smart.com/faq>
- For installation in concrete/block wall use "CONCRETE BOX 322X257" P/N 100-1-791 (sold separately) according installation instruction 10-04-00103-INS in <http://www.wall-smart.com/faq>
- Designed for the use with C4-T4IW10- touch screen (by Control4) (touch screen and back box not included).
- Adapter kit contains:
 1. Wall adapter;

Key properties:

- Dimensions (W/H/D): 320mm (12.60")/ 255mm (10.04")/ 44mm (1.73")
- Power Supply: None (manual adapter).
- Weight: 1.0Kg, 2.2lbs.
- Material: Moisture resistant MDF
- To be installed in 1/2" drywall (for installation in 5/8" drywall use 1/8" shim pack P/N 10-01-067 (sold separately)).



HANG THE SCREEN ON THE BACK UNIT TOOTH AND DROP TO PLACE

