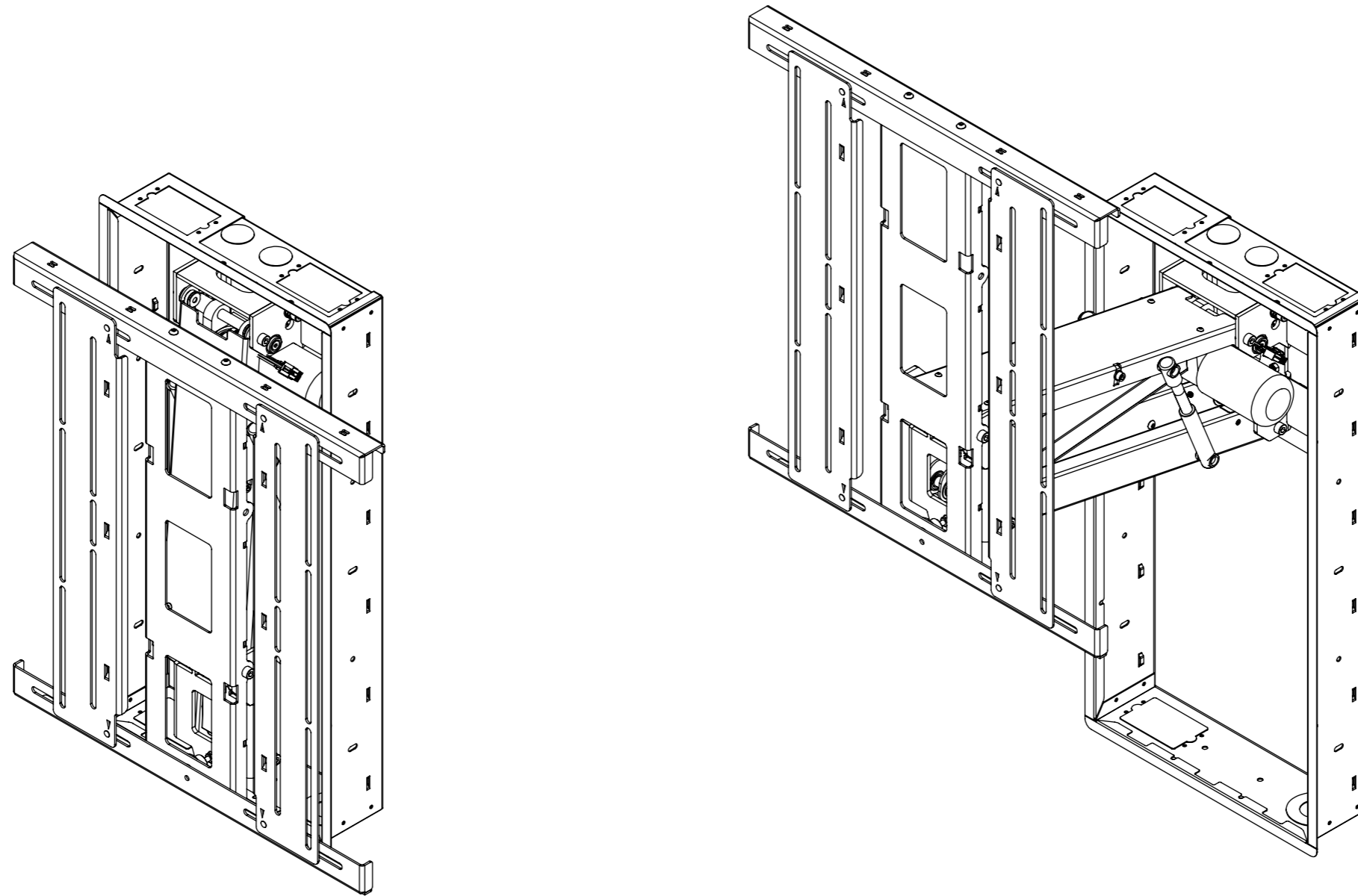


WB-EAL

WALL BOX FOR ELECTRIC ADVANCE & LIFT



future automation



WB-EAL

WALL BOX FOR ELECTRIC ADVANCE & LIFT



future automation

SPECIFICATION	MEASUREMENTS
Product Dimensions	752 x 377 x 99.5mm (29.6 x 14.8 x 3.9")
Screen Size	50" and above
Maximum Weight Capacity	60Kg (132.3lbs)
Maximum Extension from Wall	456mm (17.9")
Depth from Wall	47mm (1.8")
Minimum Screen Height	755mm (27.9)
Packaging Dimensions	420 x 810 x 190mm (16.53 x 31.88 x 7.48")
Shipping Weight	11kg (24lbs)
Product Options / Features	Custom RAL paint finishes
Package Contents	1 x Wall box, 2 x Horizontal trim strips, 2 x Vertical trim strips
Marine Suitable	No

WB-EAL

WALL BOX FOR ELECTRIC ADVANCE & LIFT



future automation

Design Highlights

The Electric Advance and Lift TV Wall Mount is a one of a kind bracket designed to move a large flat screen vertically to a more desirable viewing height.

The up and out movement make this ideal for mounting a TV under a mantle piece as the EAL moves forward to clear a mantle piece and then lifts up for a more favourable viewing position. A truly unique and creative solution for larger screens.

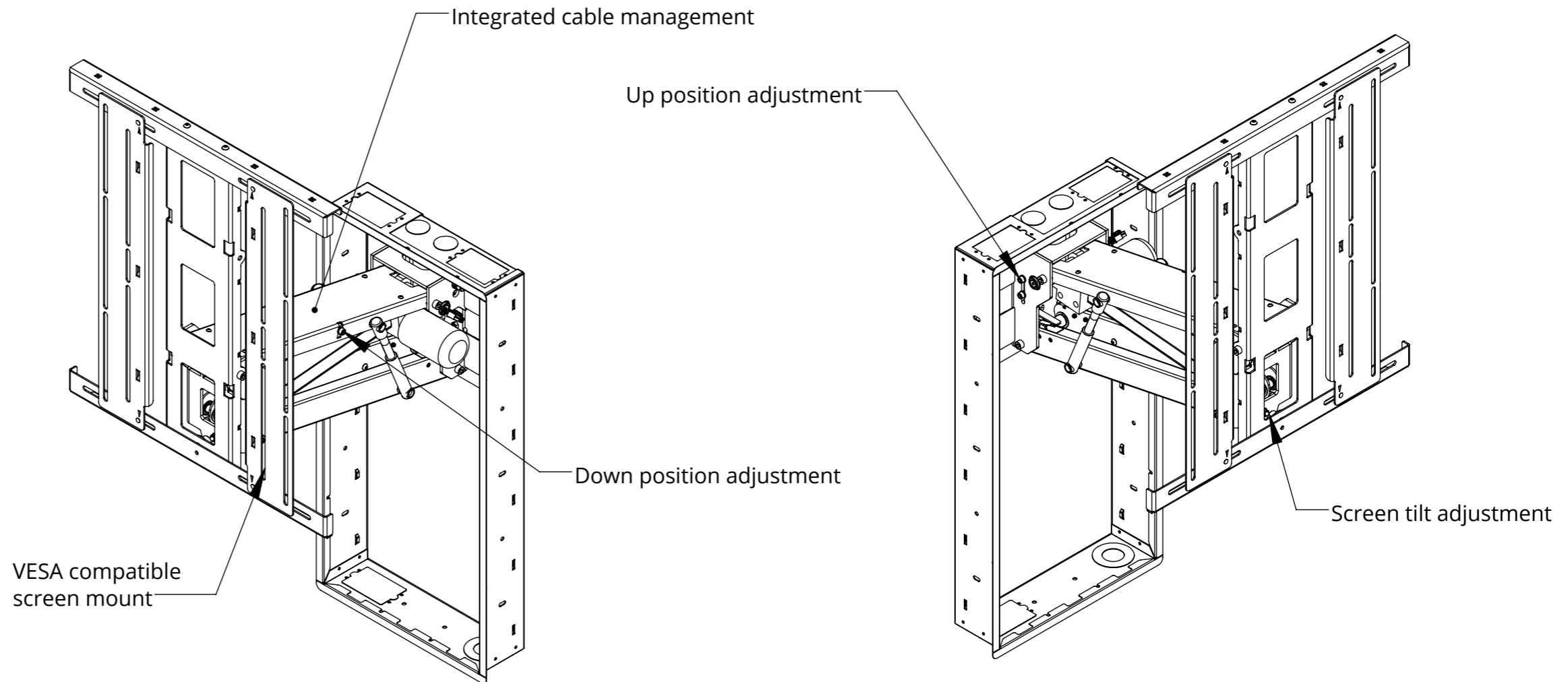
The EAL features a VESA compatible screen mount that can tilt up to $\pm 3^\circ$.

Quiet, smooth and fast DC motor drive system.

Screen mounting method similar to Future Automation PS bracket range. Easy, single person installation due to hook on screen mount design.

Integrated cable management ensures cables can be installed neatly and securely.

Adjustable switches allow end positions to be fine tuned to optimize viewing.



WB-EAL

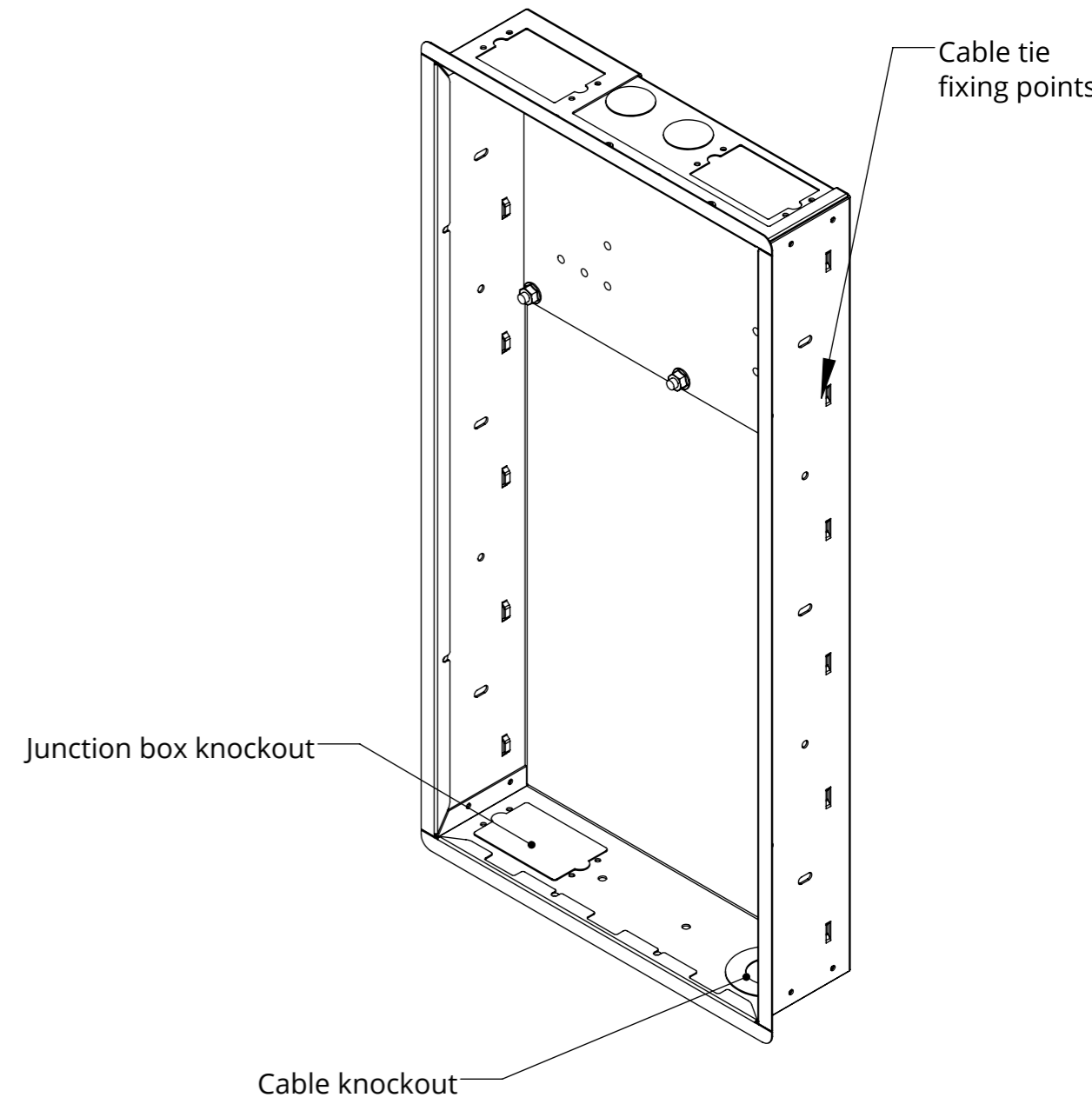
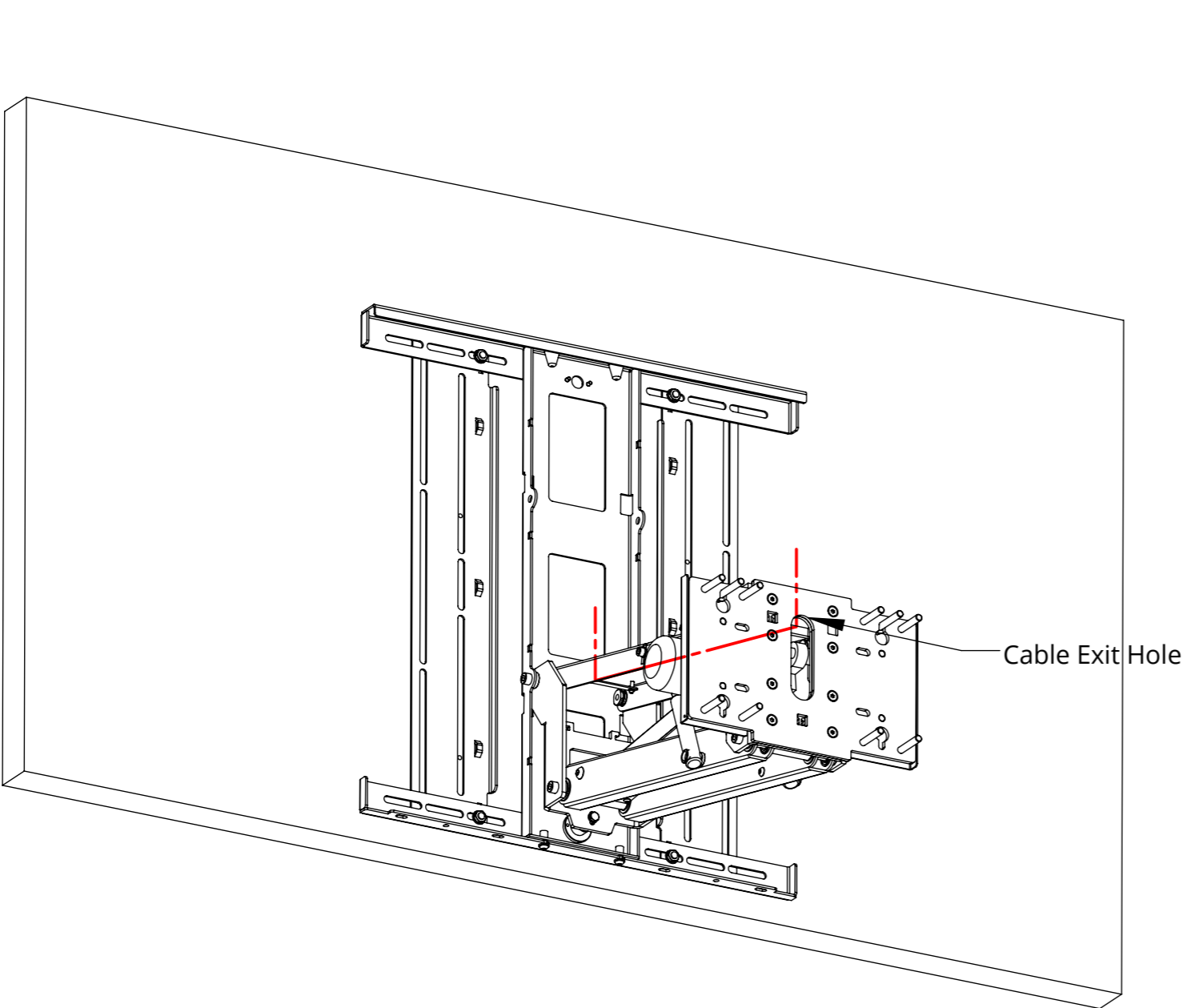
WALL BOX FOR ELECTRIC ADVANCE & LIFT



Cable Routing

Using the integrated cable management on the EAL mount route the cable as shown ensuring sufficient slack at moving points.

Use the knockout panels to install a junction box and/or pass the cables through the wall box into the wall cavity.



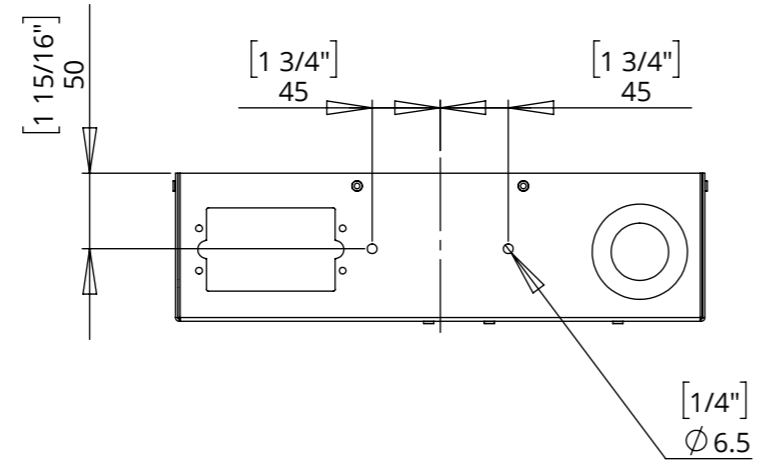
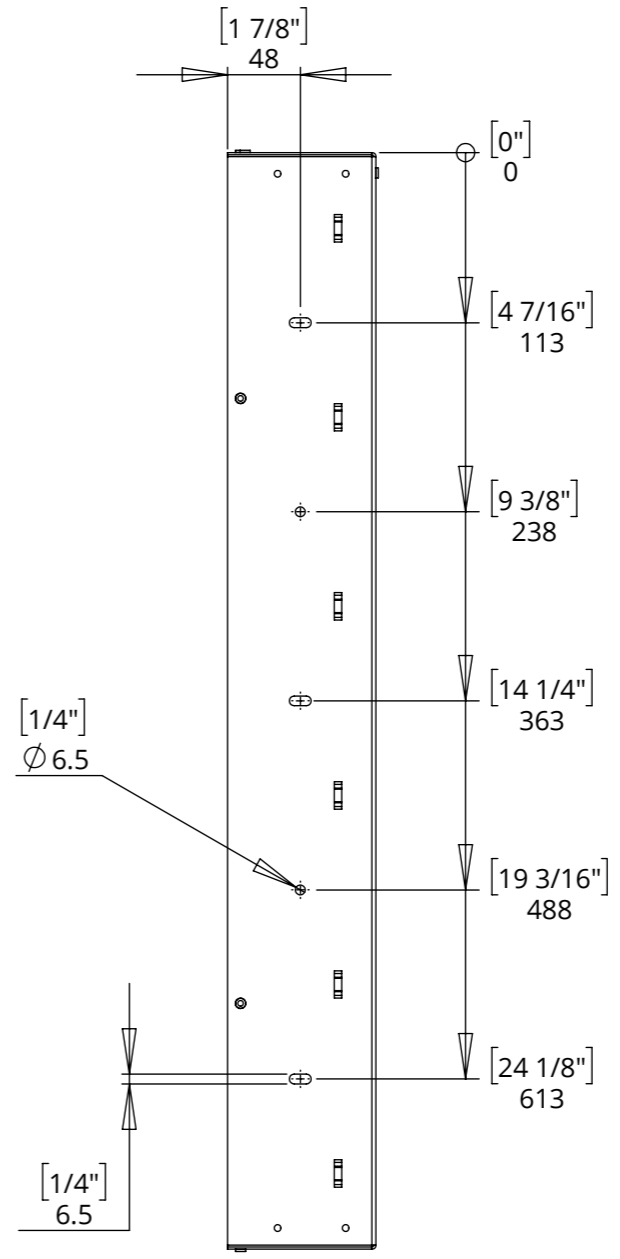
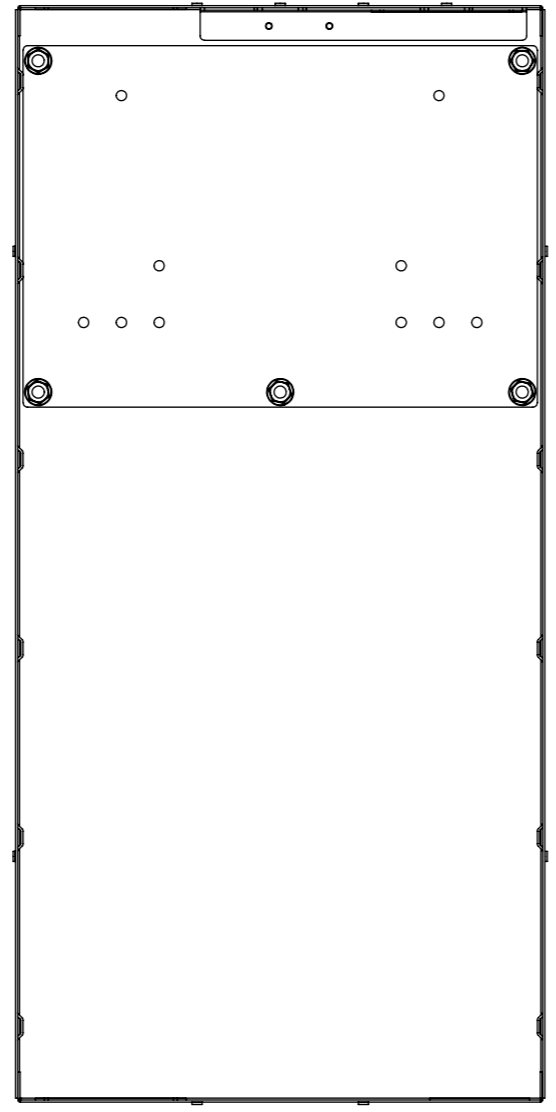
WB-EAL

WALL BOX FOR ELECTRIC ADVANCE & LIFT



future automation

Wall Box Mounting Dimensions



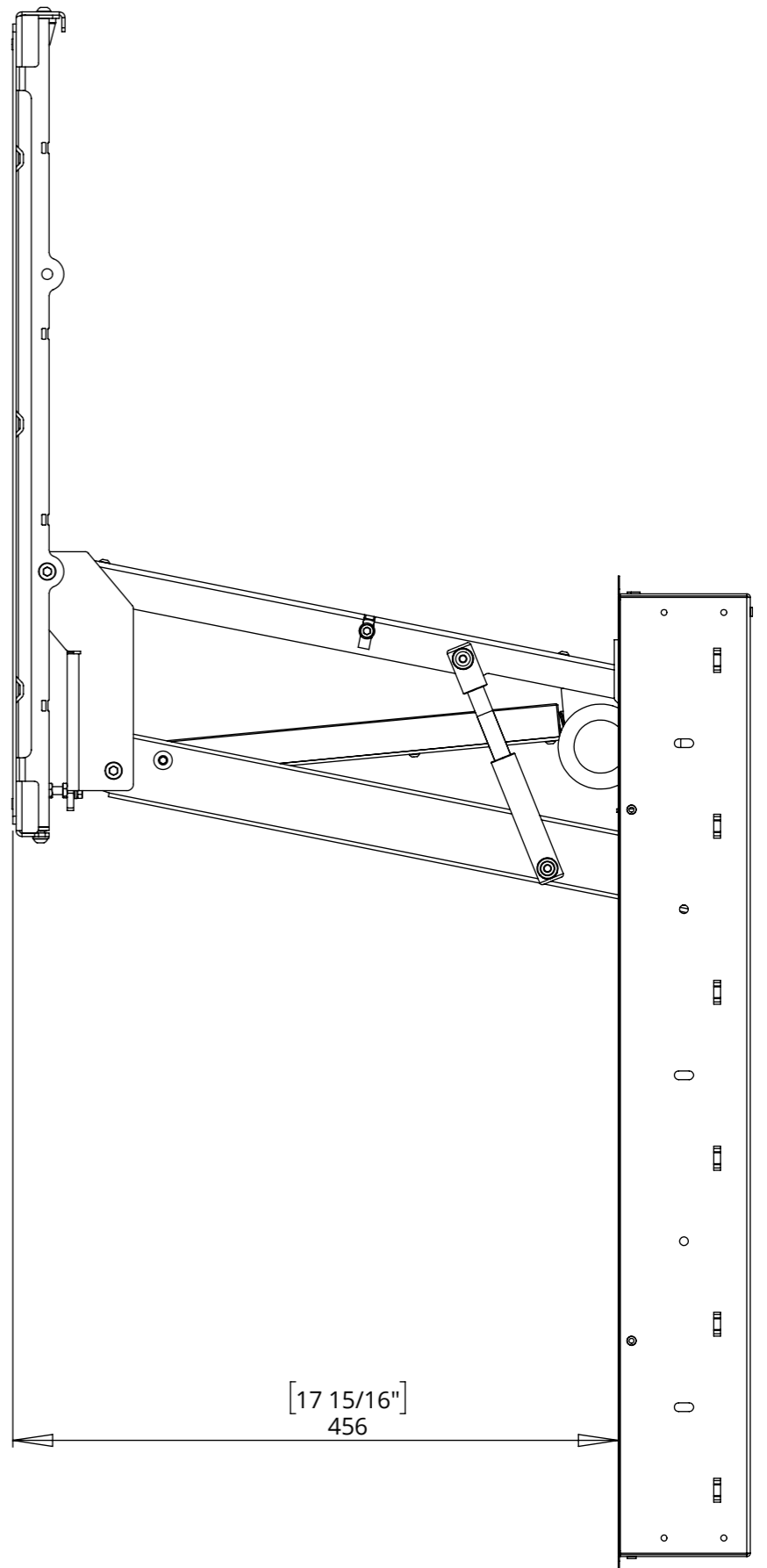
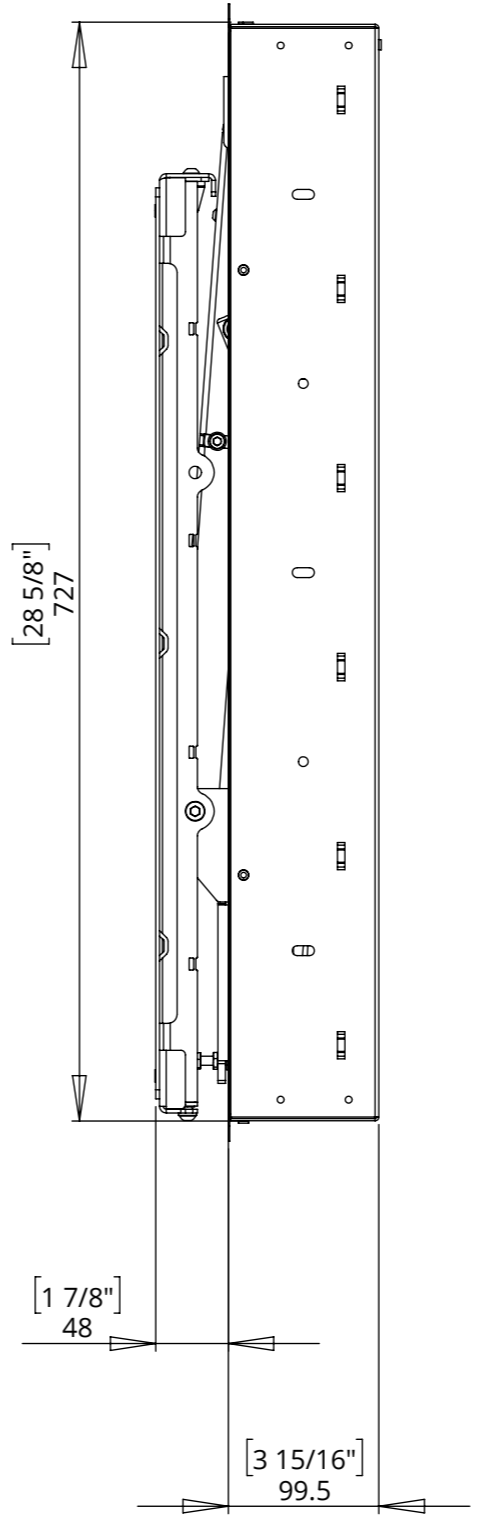
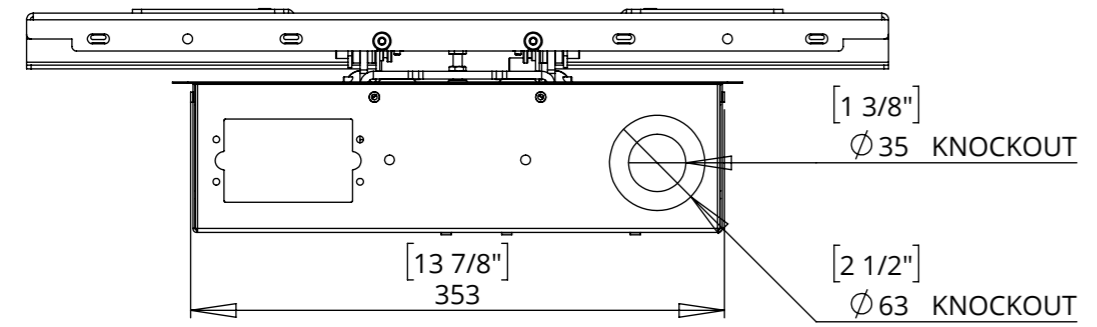
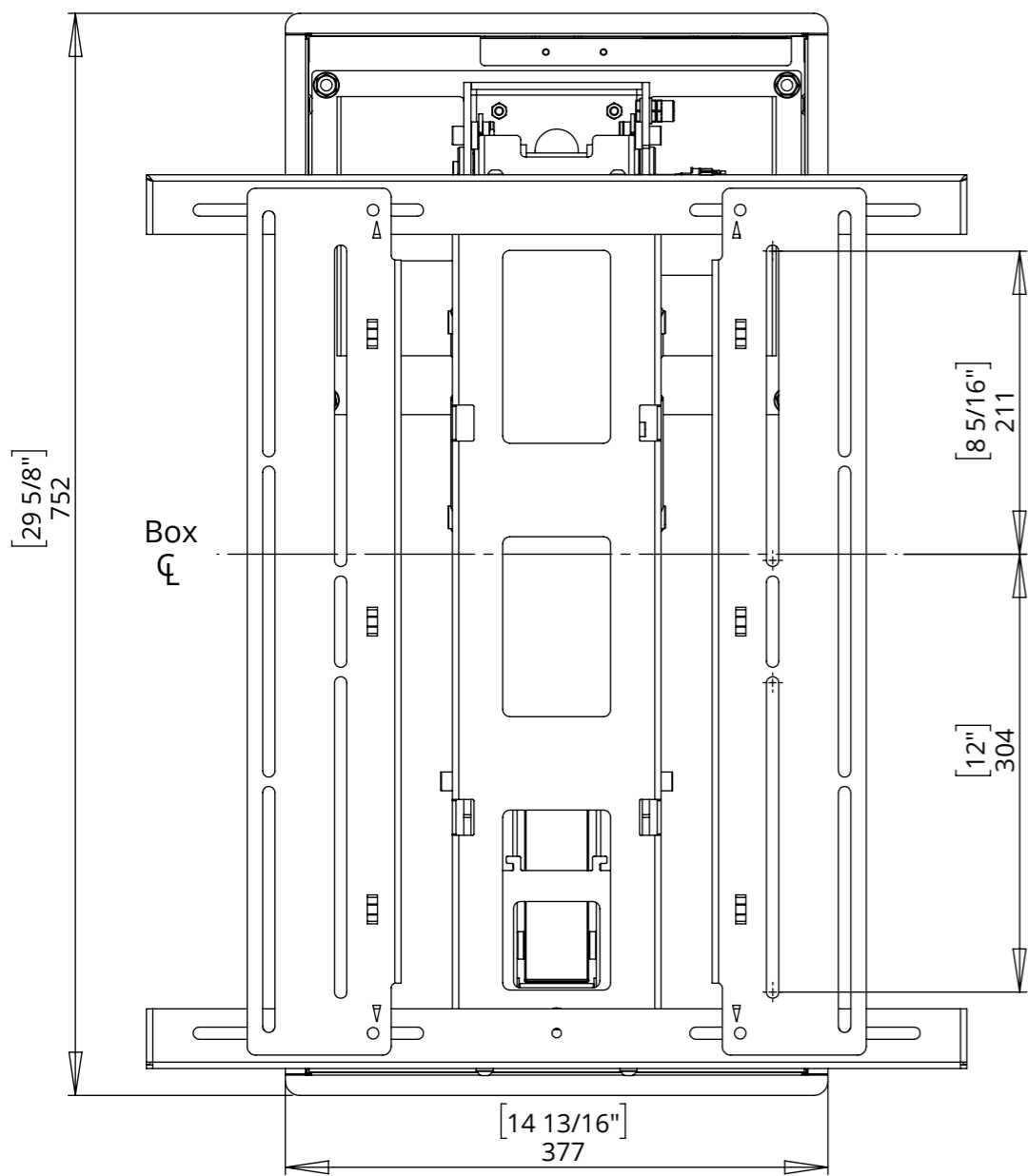
WB-EAL

WALL BOX FOR ELECTRIC ADVANCE & LIFT



future automation

General Dimensions

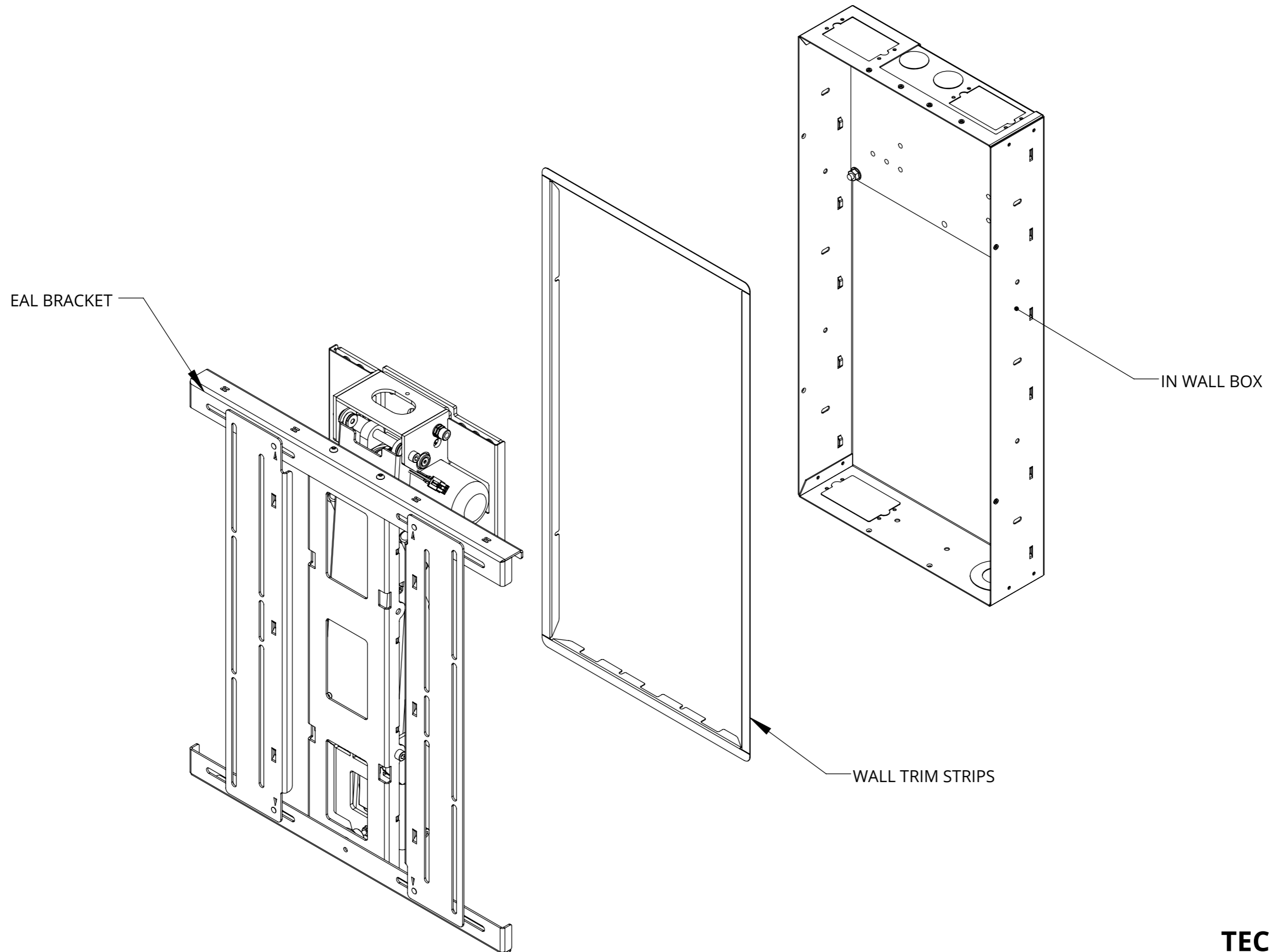


WB-EAL

WALL BOX FOR ELECTRIC ADVANCE & LIFT

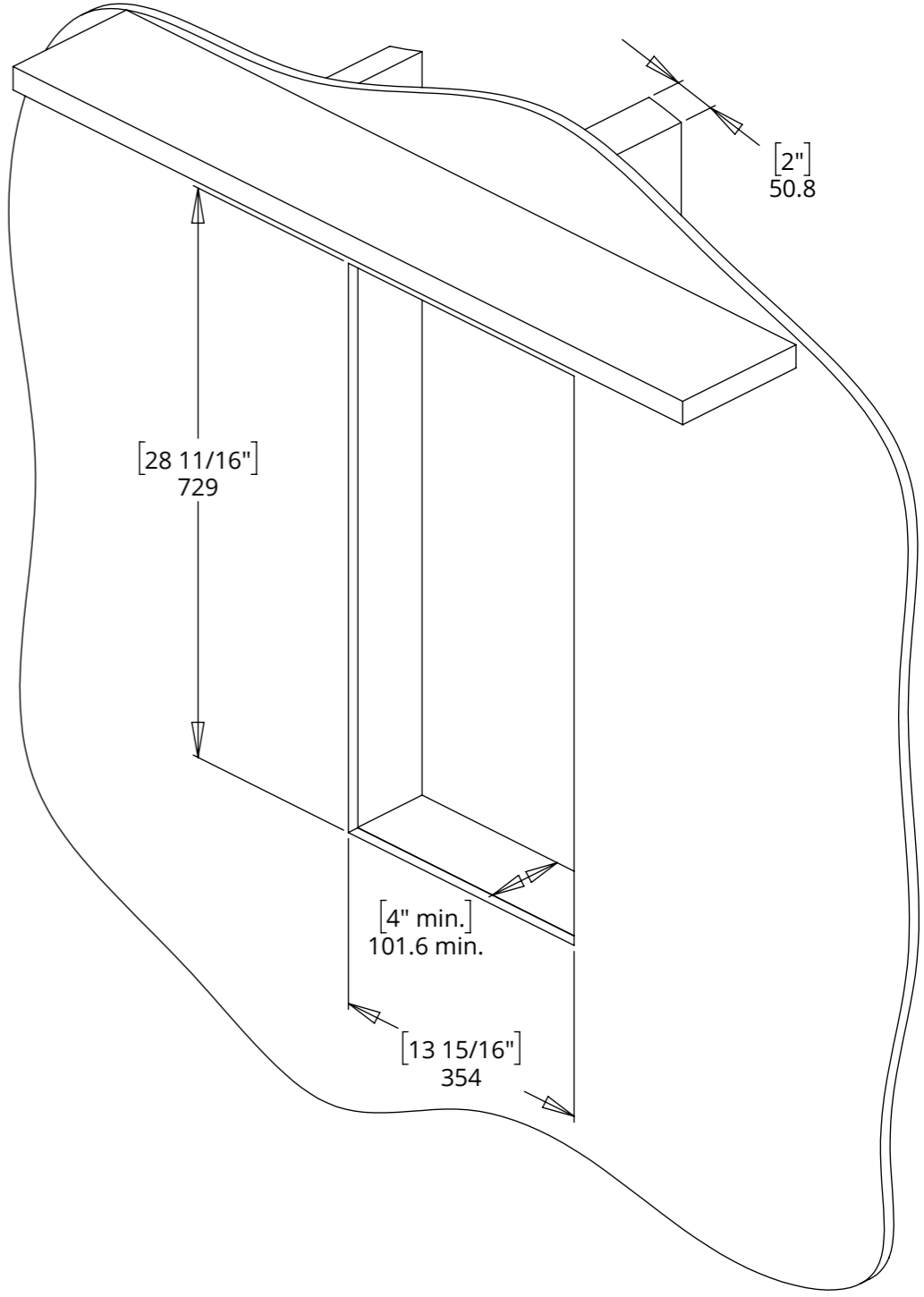
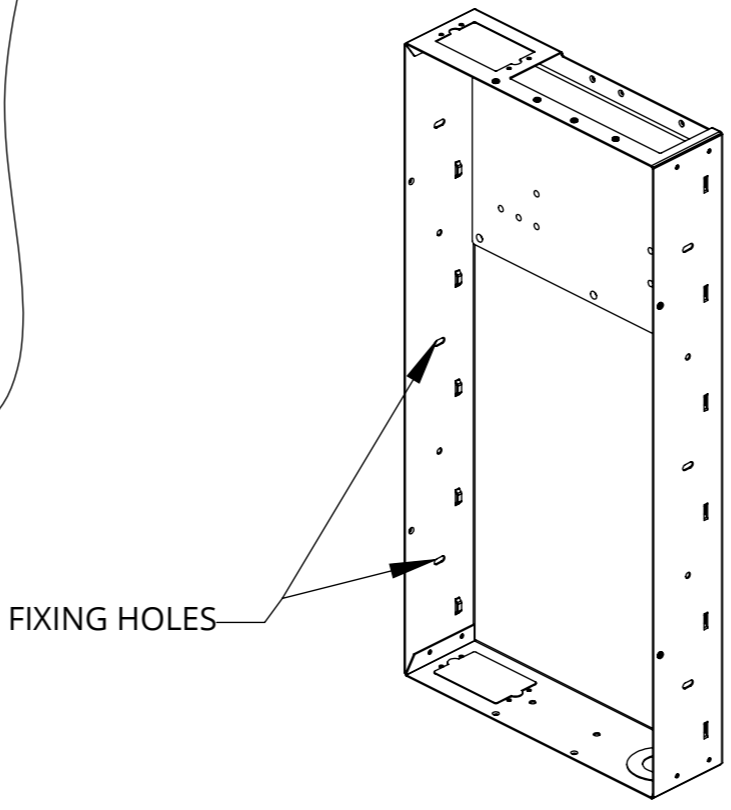
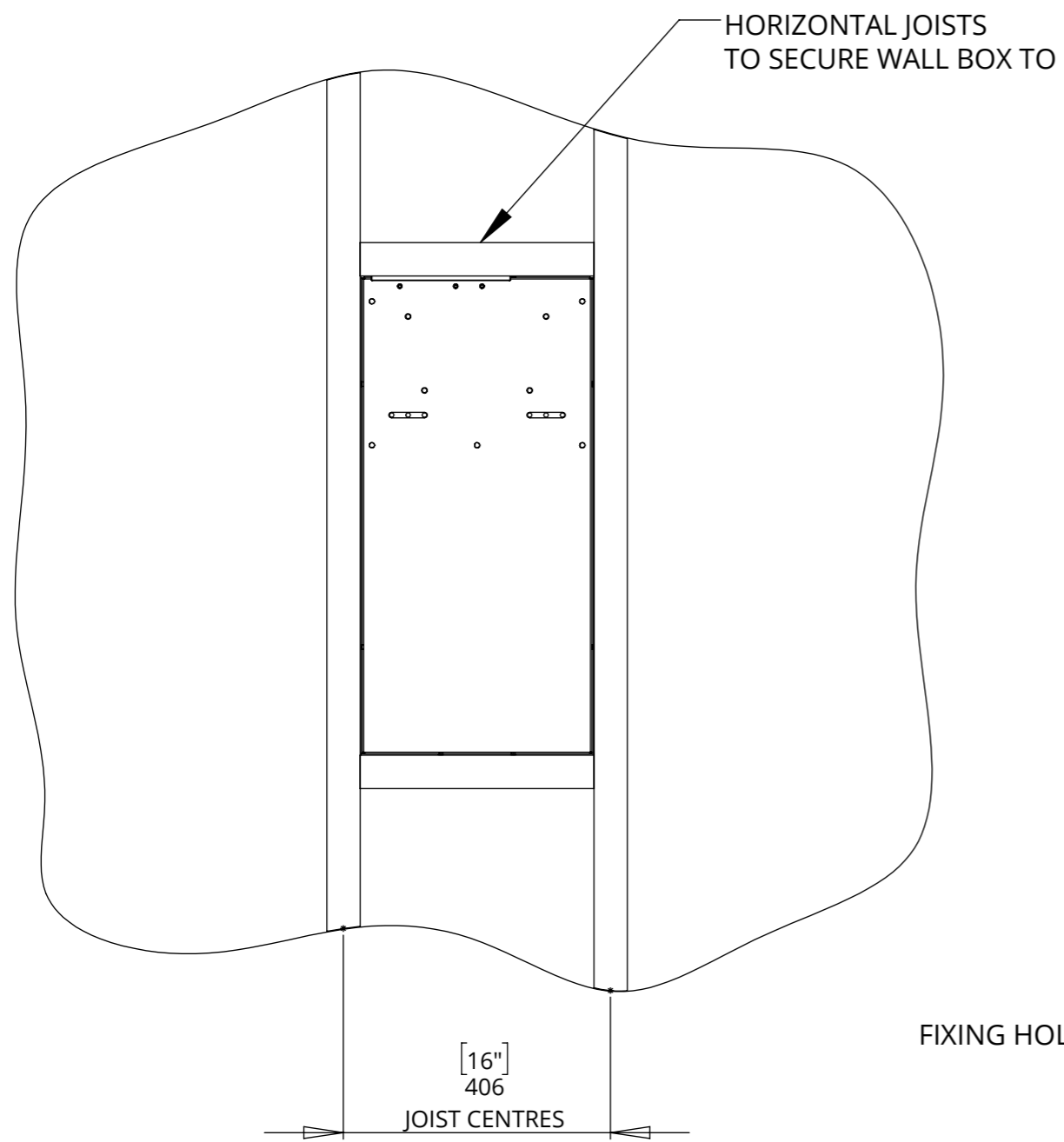


future automation



WB-EAL

WALL BOX FOR ELECTRIC ADVANCE & LIFT



INSERT WALL BOX INTO THE VOID AS SHOWN AND SECURE THROUGH SIDE FIXING HOLES