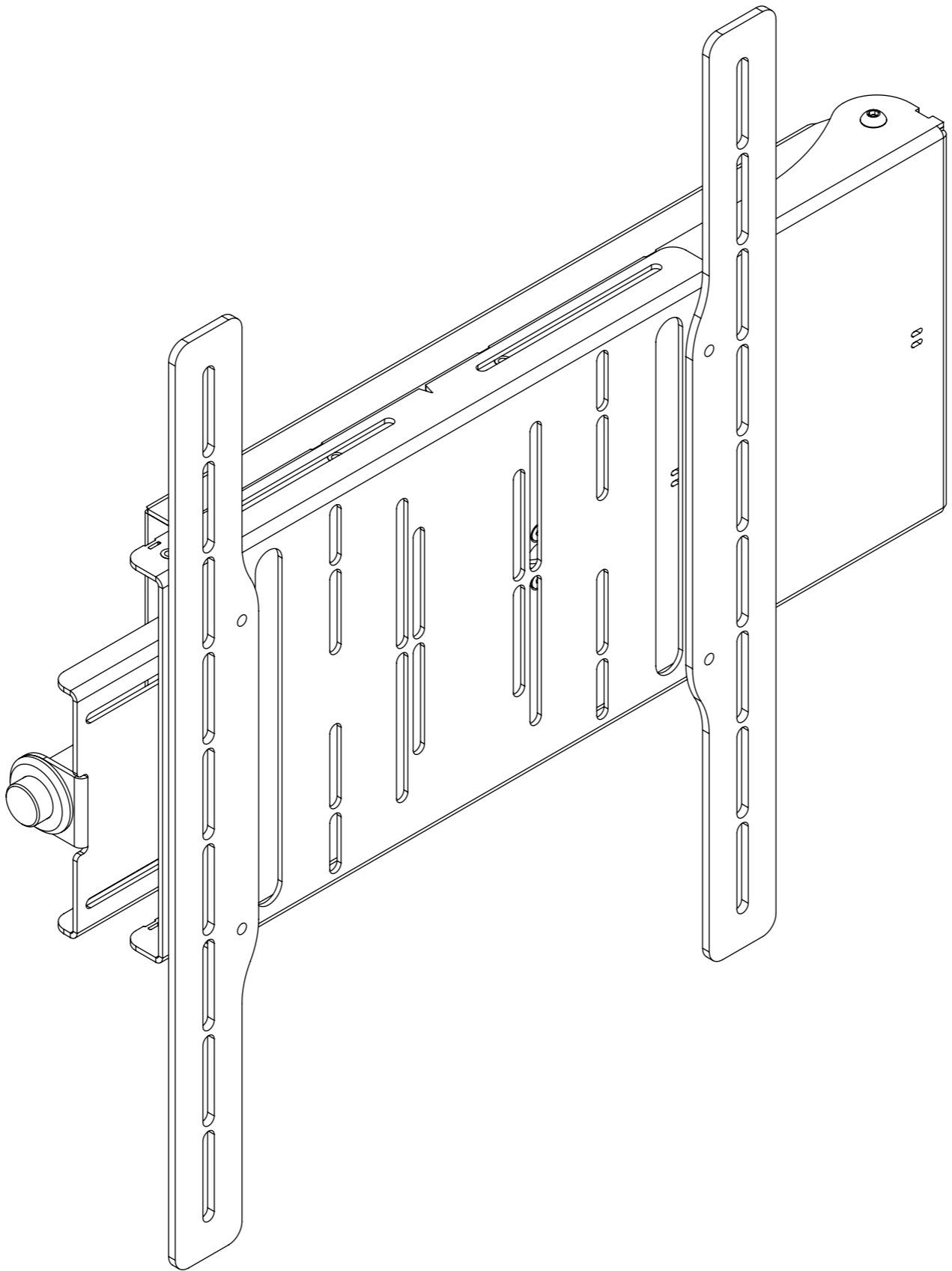


MSH-1

MARINE SIDE HINGE



future automation



MSH-1

MARINE SIDE HINGE

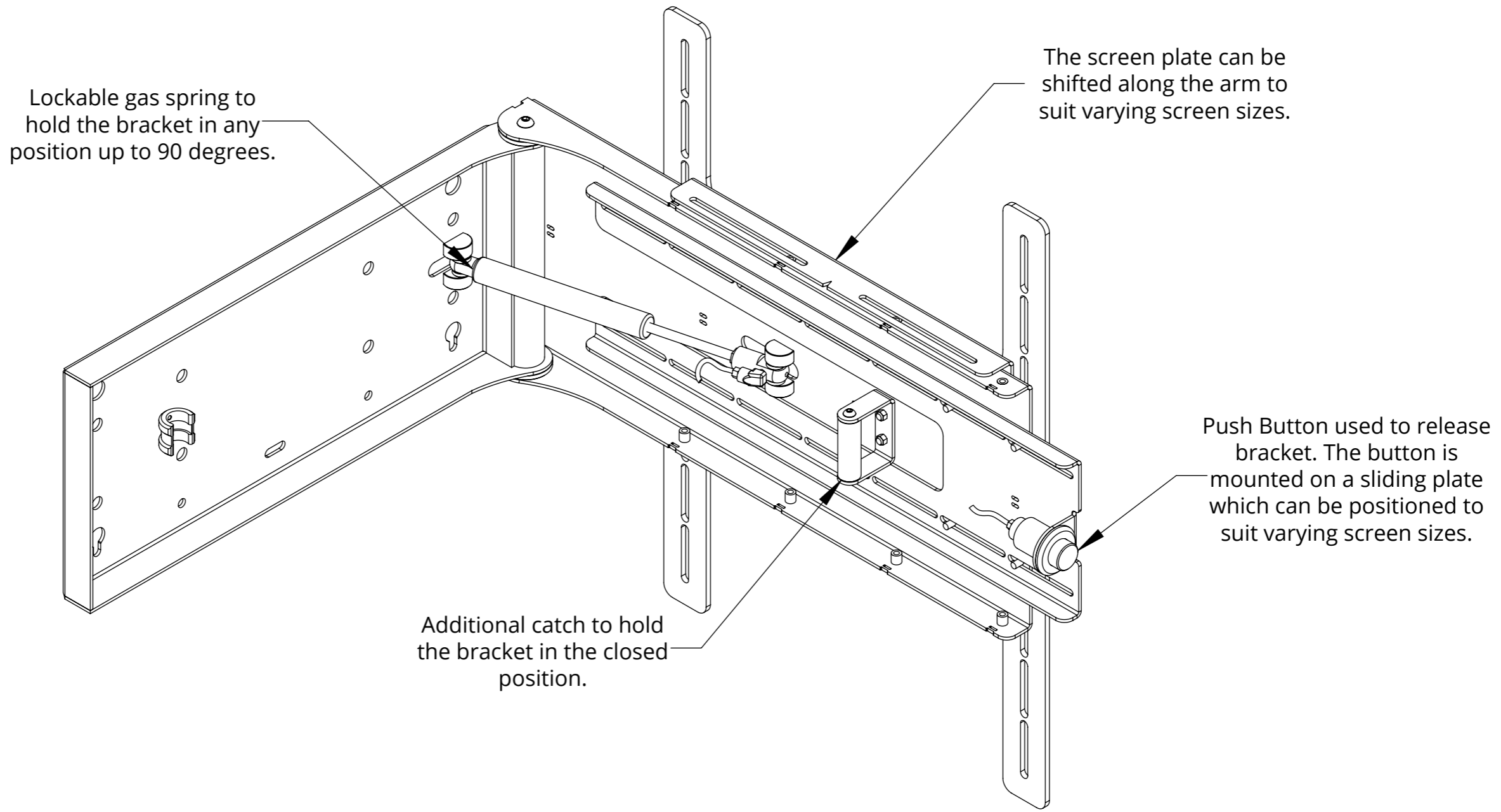


SPECIFICATION	MEASUREMENTS
Product Dimensions	700mm (27.6") x 600mm (23.6") x 80mm (3.1")
Maximum Screen Size	1100mm (43.3") Width
Maximum Weight Capacity	40Kg (88lb)
Maximum Extension From Wall	550mm (21.6") to screen centre
Depth From Wall	80mm (3.1")
Product Weight	TBC
Packaging Dimensions	TBC
Shipping Weight	TBC
Maximum Rotation	90° - one direction (CW or CCW)
Movement Type	Manual
Mounting Patterns Supported	VESA 400, 300, 200 W x 400, 300, 200 H
Product Options / Features	Specific B&O and Loewe mounts / adapters, Custom RAL paint finishes, Marine suitable version
Package Contents	Bracket, Bolt Pack
Marine Suitable	Yes

MSH-1 MARINE SIDE HINGE



BRACKET FEATURES



MSH-1 MARINE SIDE HINGE

GENERAL DIMENSIONS

