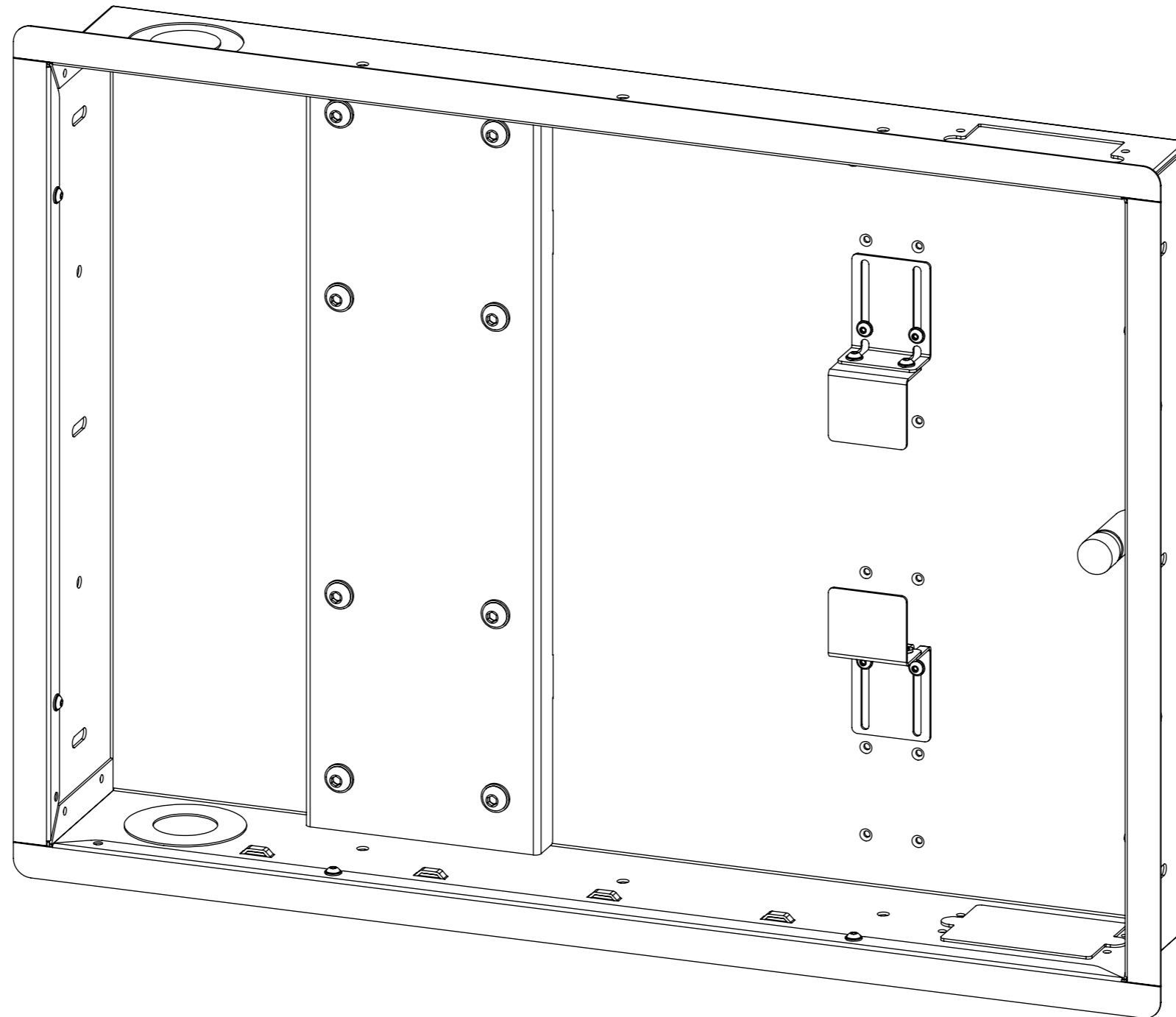


WB-DA1

WALL BOX FOR DA1



future automation



WB-DA1

WALL BOX FOR DA1



future automation

SPECIFICATION	MEASUREMENTS
Product Dimensions (WxHxD)	661mm (26 1/2") x 487mm (19 3/16") x 99mm (3 7/8")
Product Weight	8kg (18lb)
Packaging Dimensions	880mm (34 5/8") x 800mm (31 1/2") x 220mm (8 11/16")
Shipping Weight	9kg (20lb)
Mounting Patterns Supported	VESA 400, 300, 200, 100 W x 400, 300, 200, 100 H
Product Options / Features	Specific B&O and Loewe mounts / adapters, Custom RAL paint finishes
Package Contents	1x Wall Box, 1x Pair of Accessory Clamps, 1x Buffer Stop, 2x Horizontal Wall Trim Strips , 2x Vertical Wall Trim Strips & Bolt Pack
Marine Suitable	No

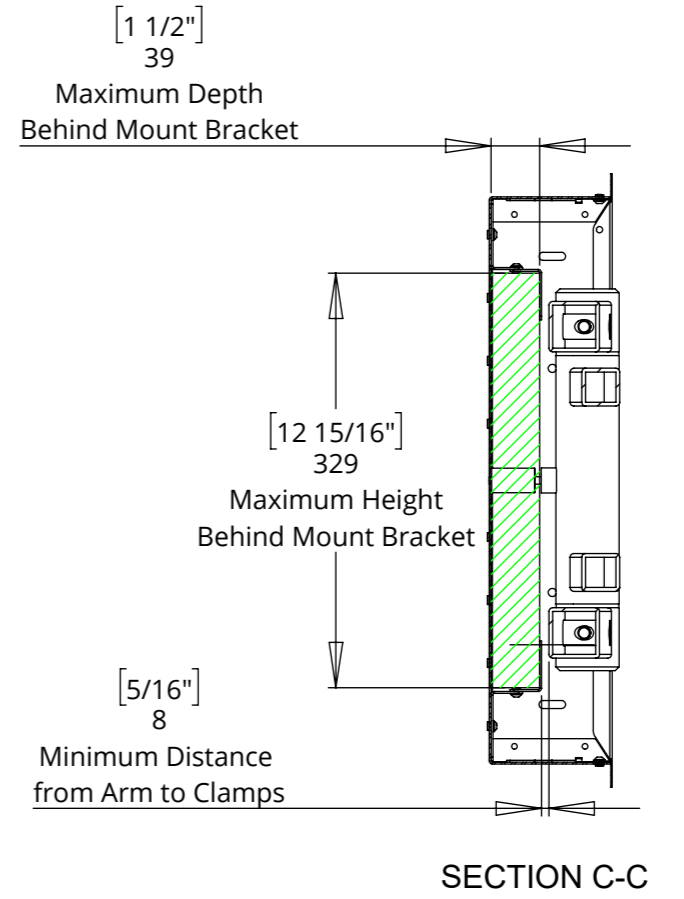
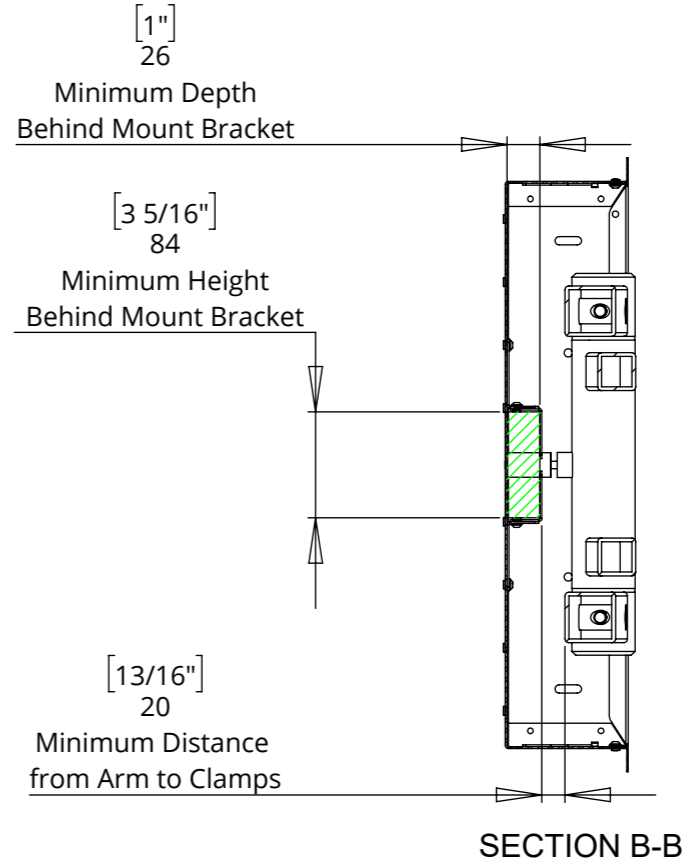
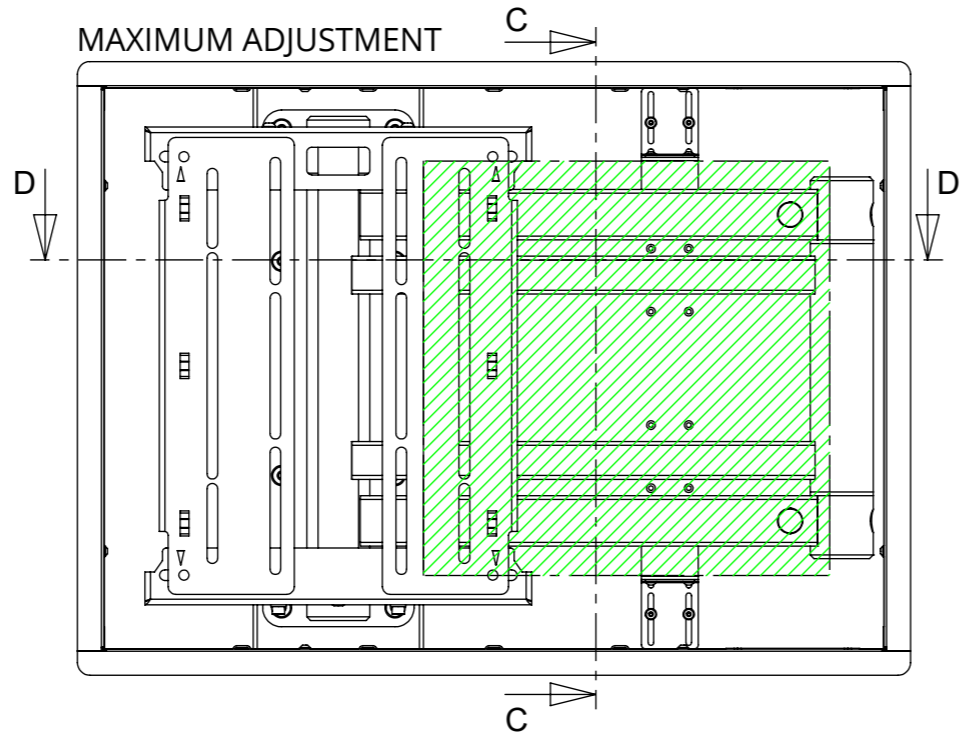
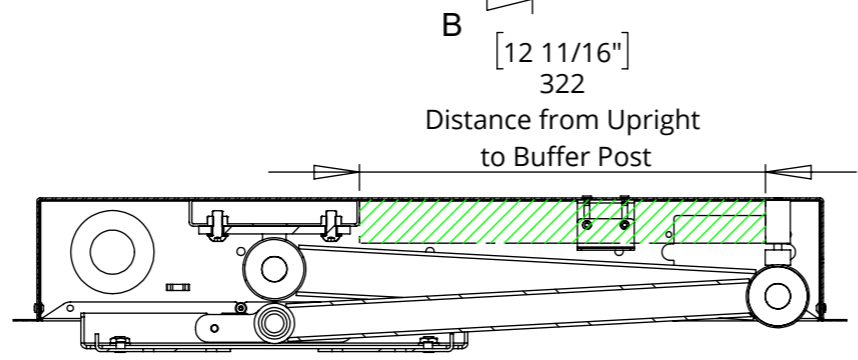
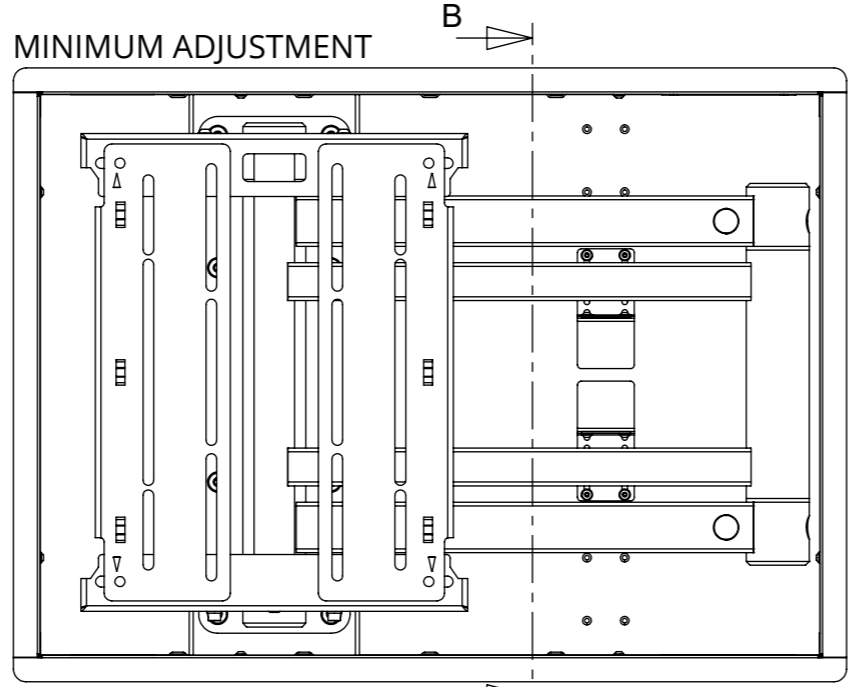
WB-DA1

WALL BOX FOR DA1

ACCESSORY MOUNTING

The WB-DA1 features easily adjustable accessory clamps and mounting space for AV accessories.

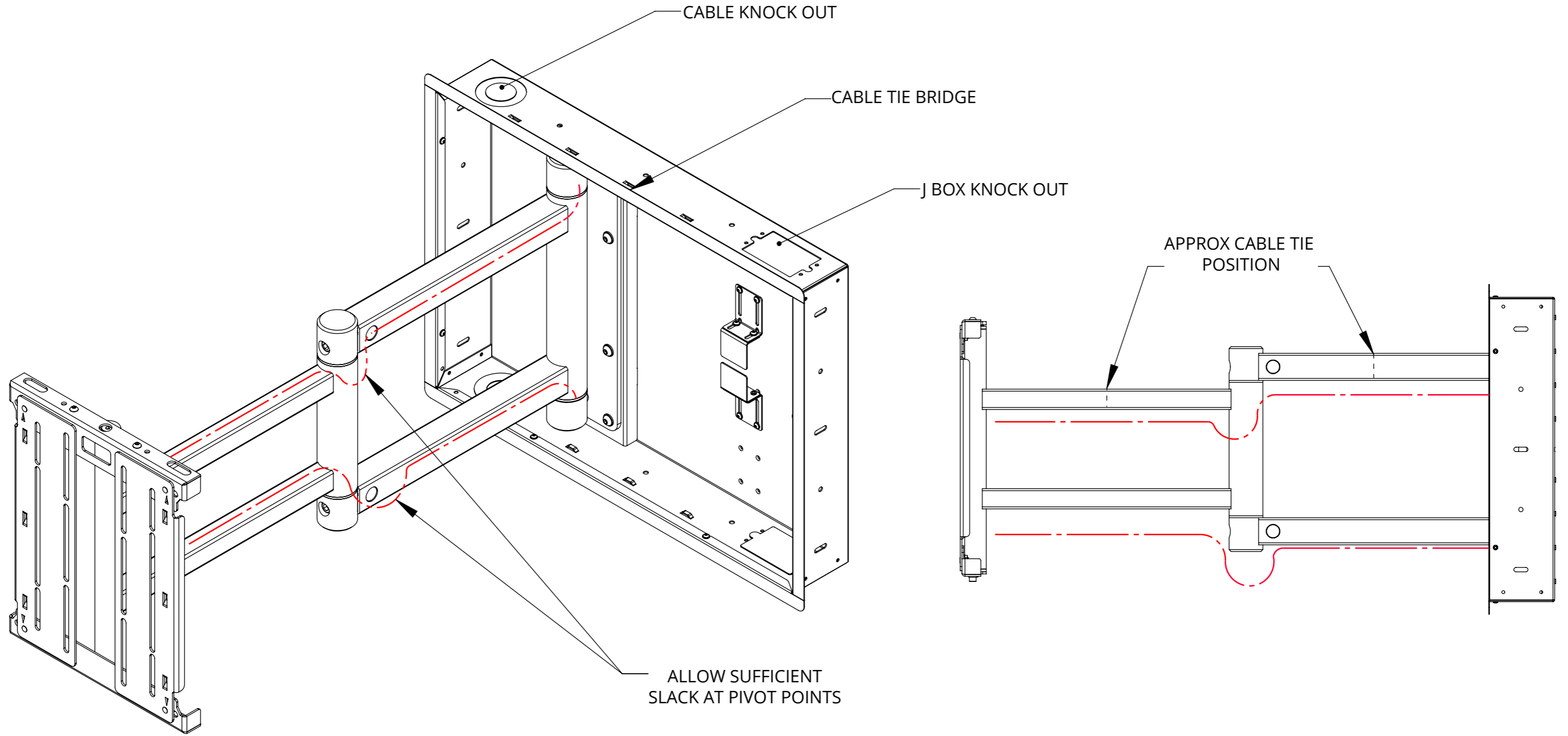
To access the mounting space, the DA1 must first be moved to the out position.



WB-DA1 WALL BOX FOR DA1

CABLE ROUTING

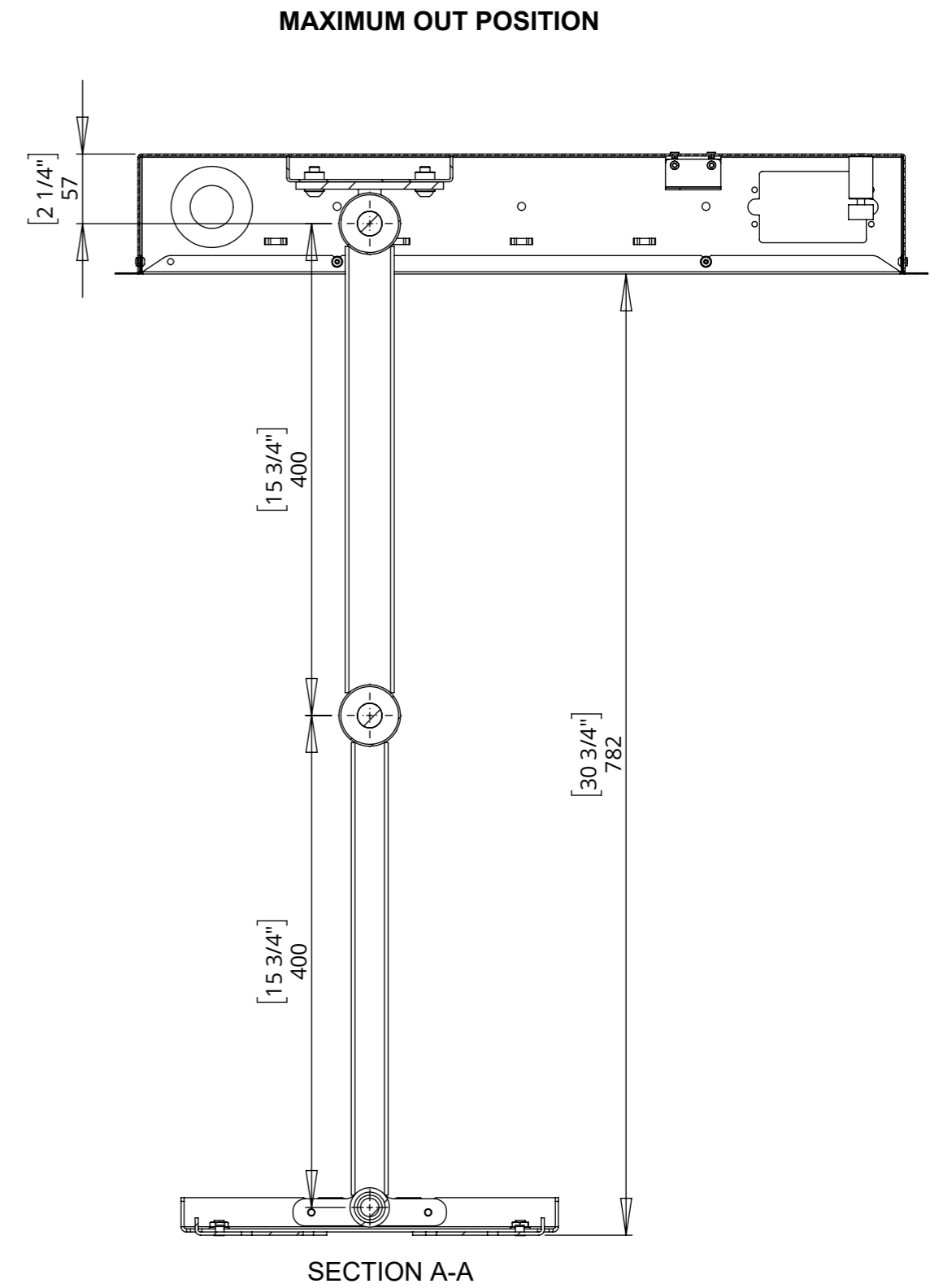
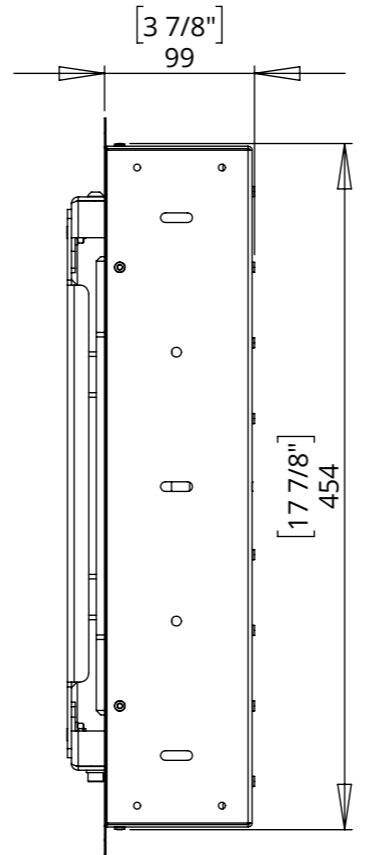
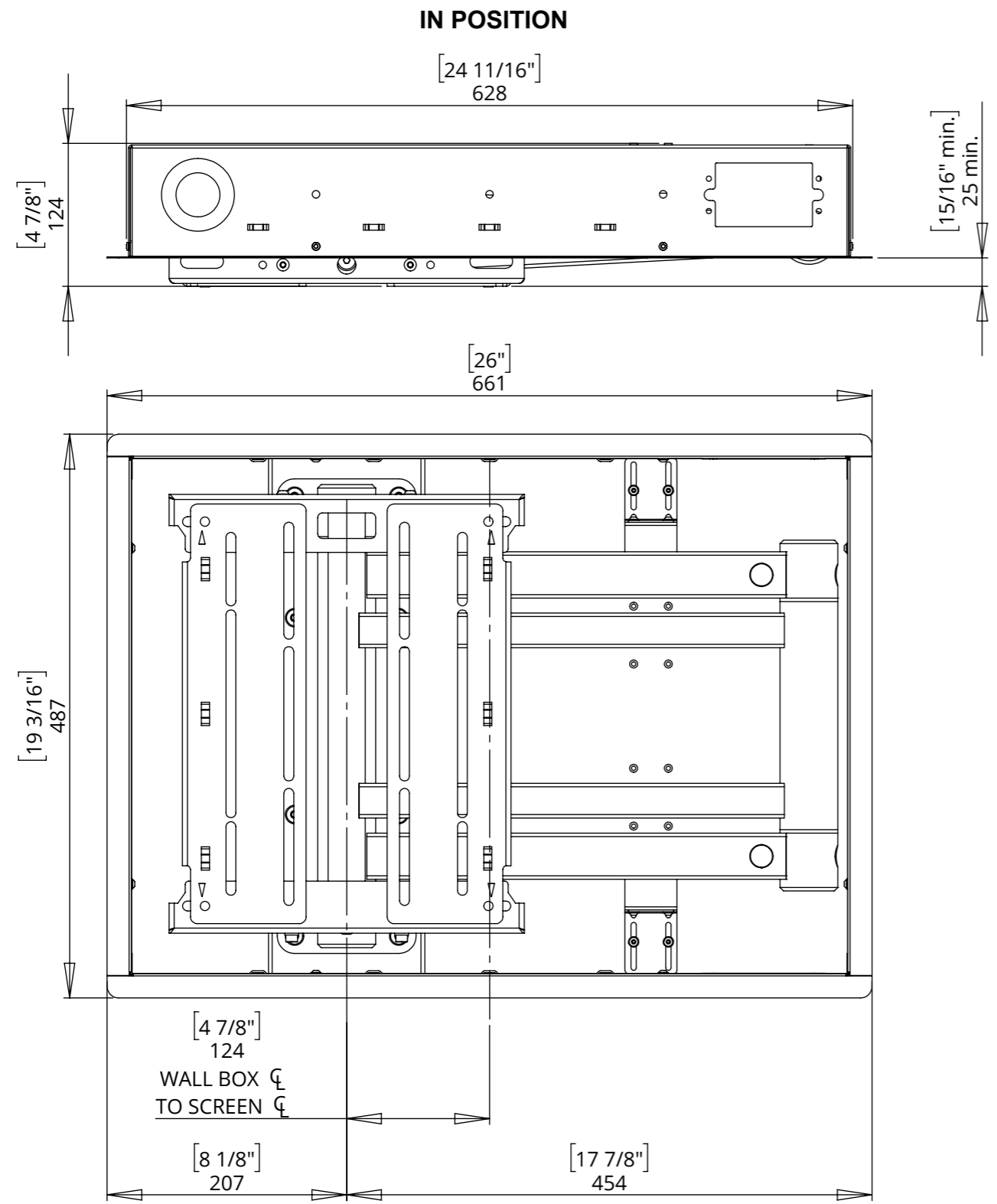
Cables can be run along the top or bottom arms as shown.
Secure the cables using cable ties and make sure to allow slack at pivot points.



WB-DA1

WALL BOX FOR DA1

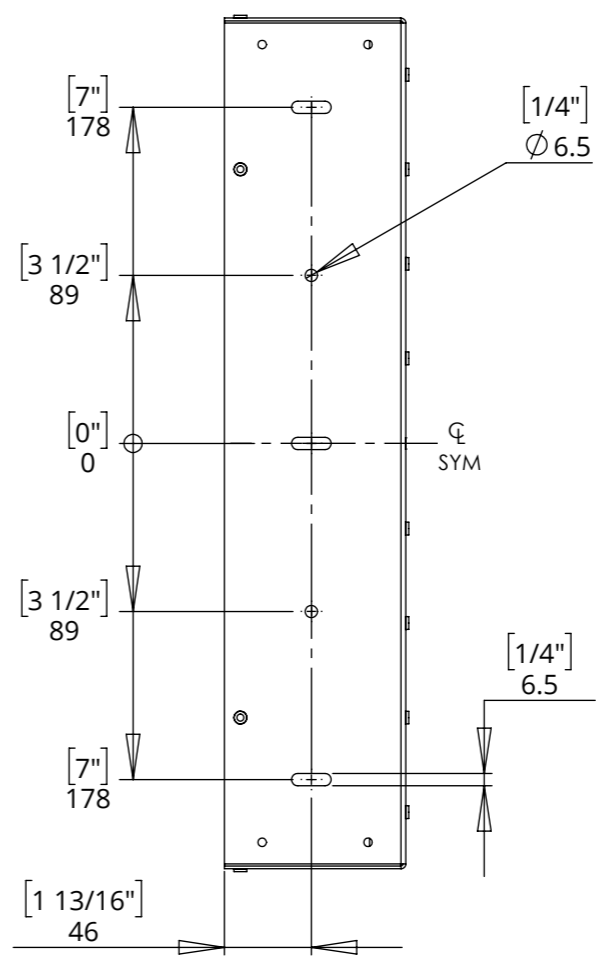
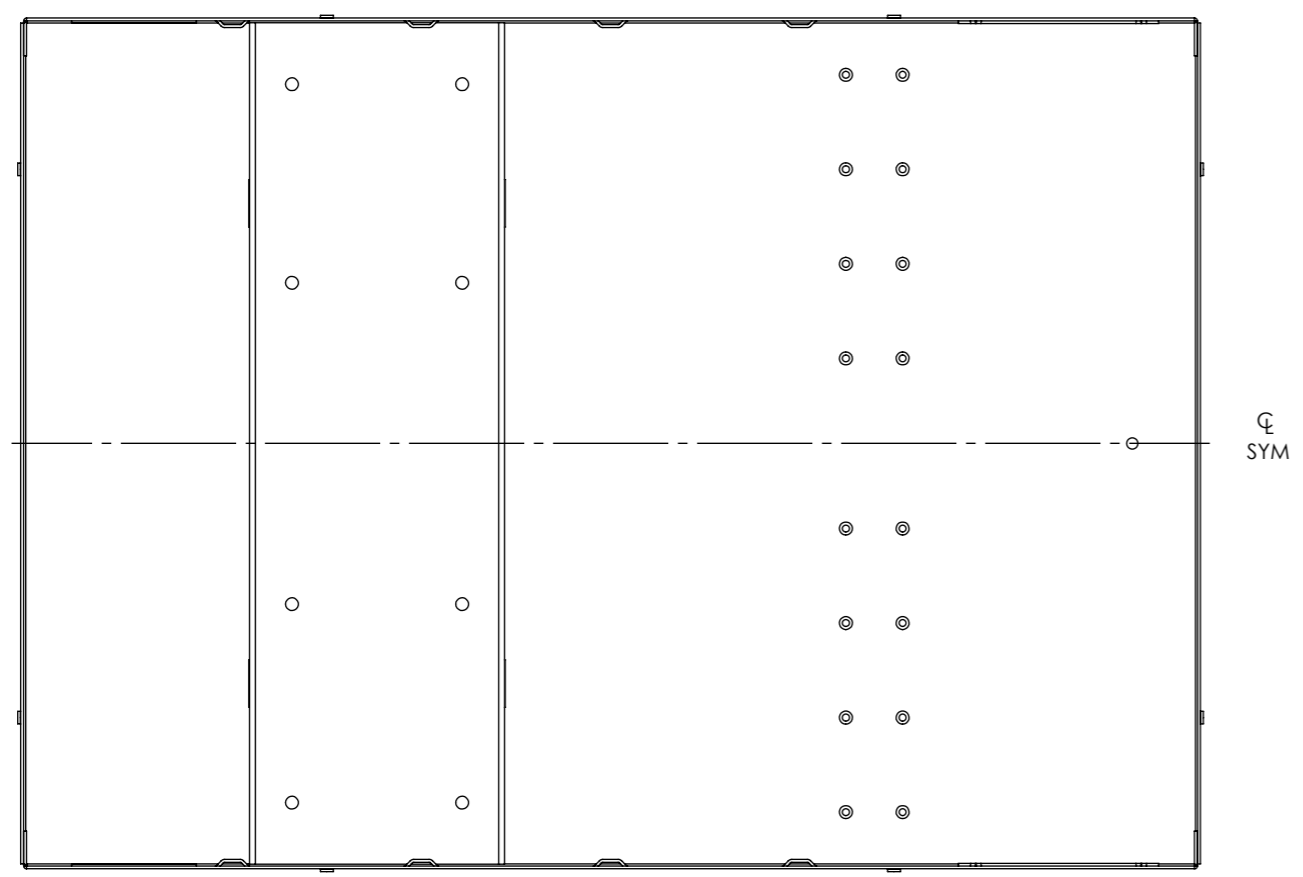
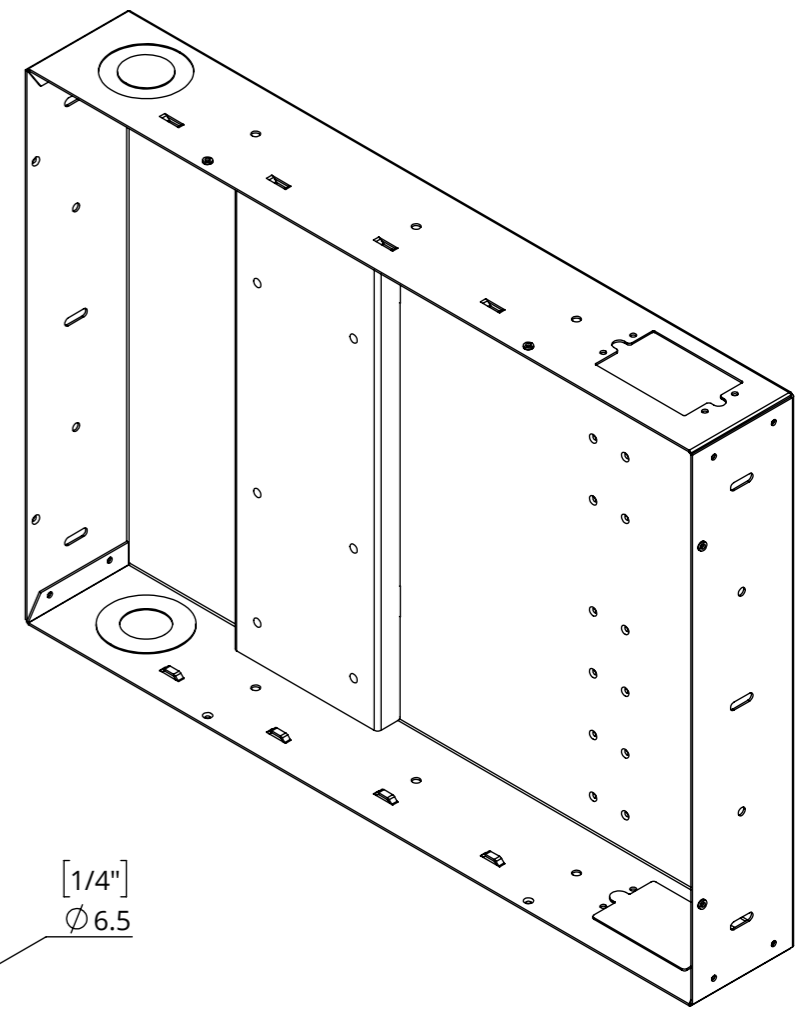
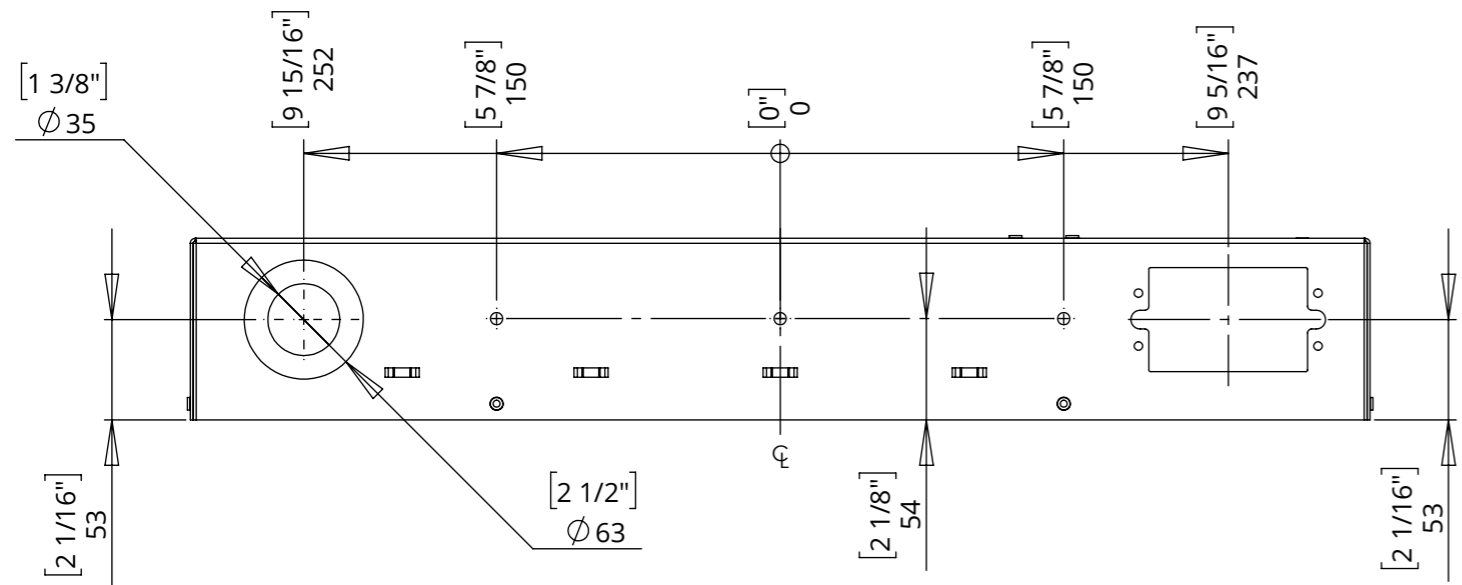
GENERAL DIMENSIONS



WB-DA1

WALL BOX FOR DA1

WALL BOX MOUNTING DIMENSIONS



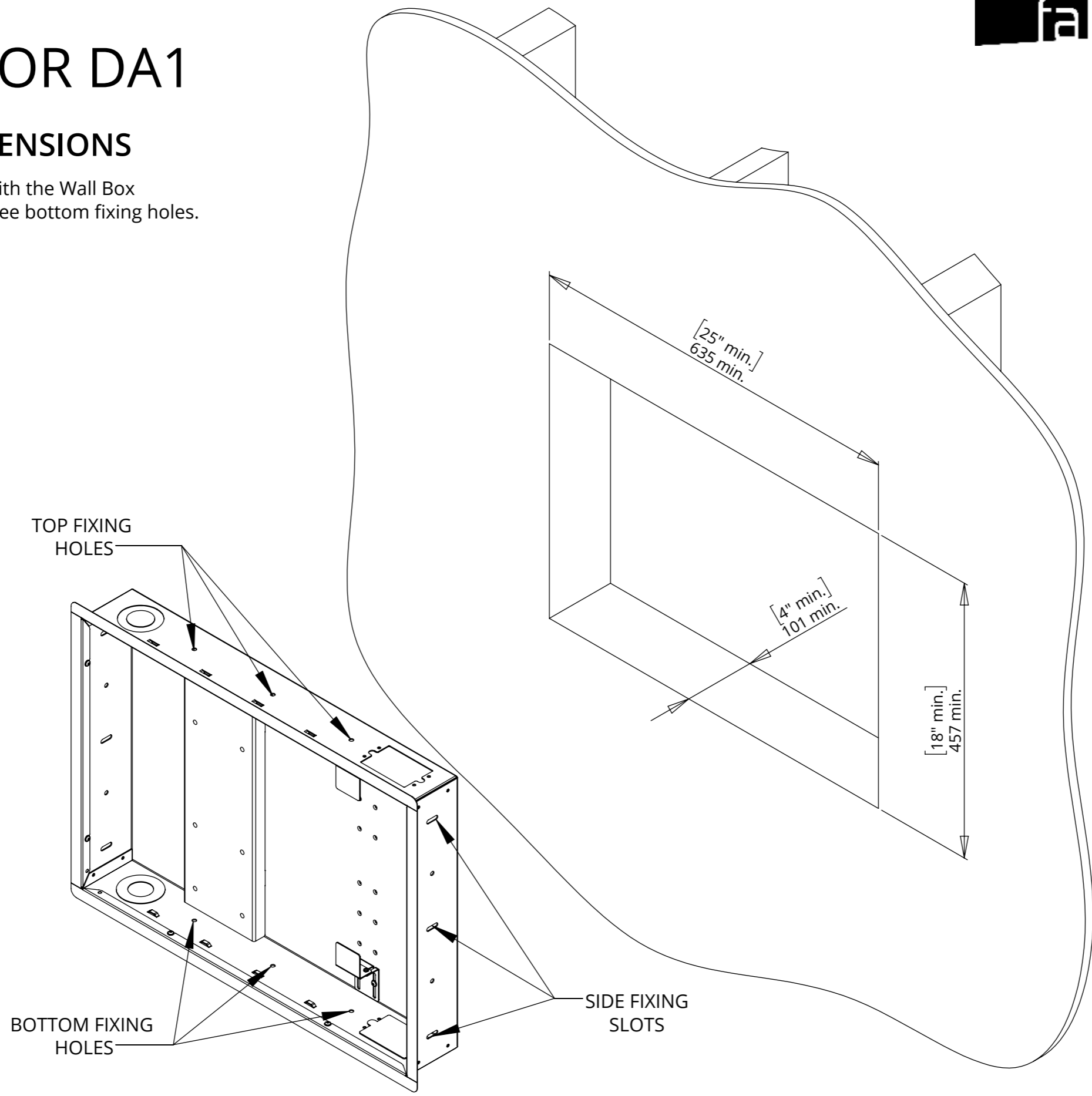
WB-DA1

WALL BOX FOR DA1



WALL FRAMING DIMENSIONS

Horizontal studs should be used, with the Wall Box fixed through the three top and three bottom fixing holes.



INSERT THE WALL BOX INTO THE VOID AS SHOWN THEN SECURE THROUGH FIXING HOLES