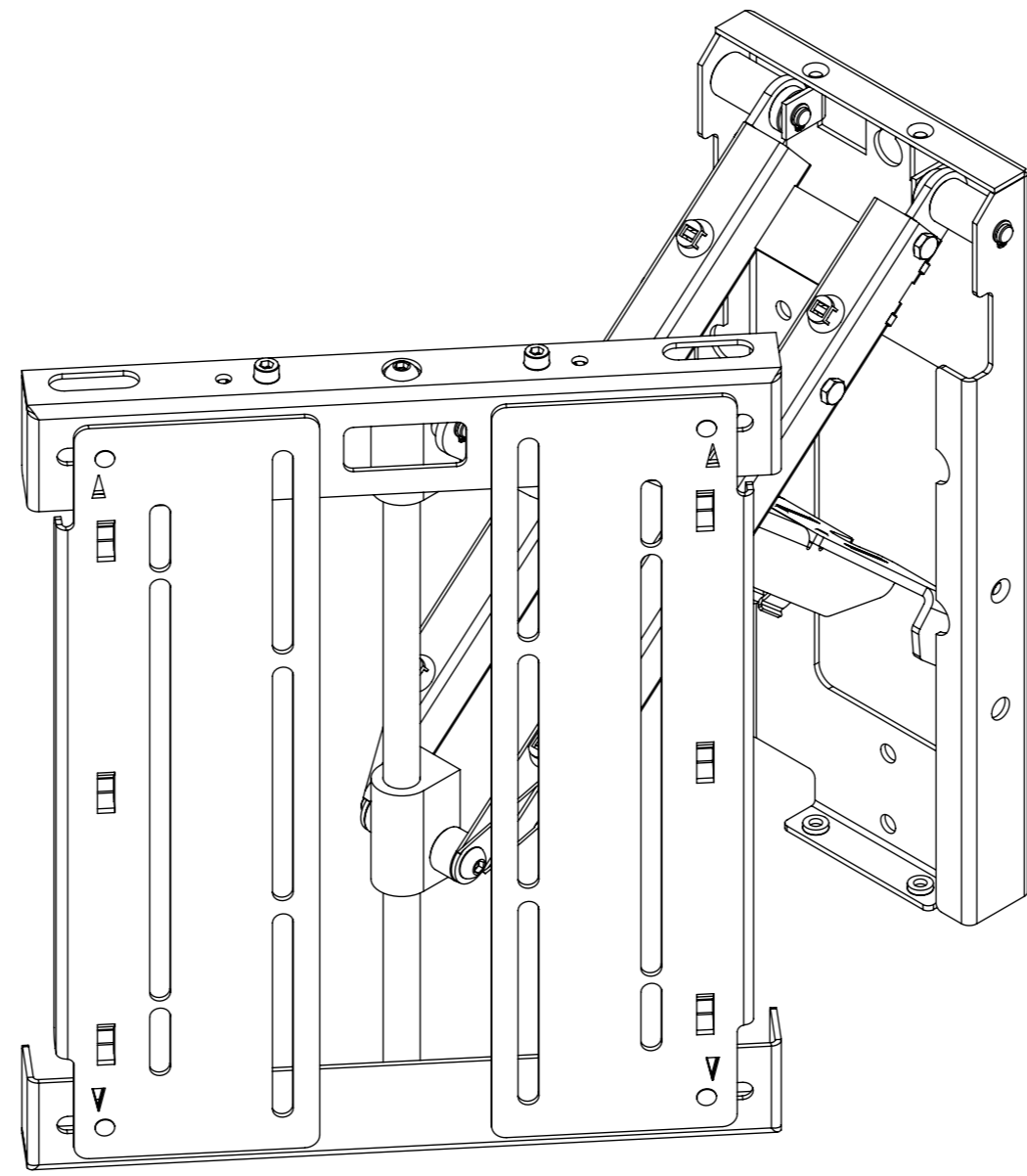


PS32

PULL & SWIVEL MANUAL WALL MOUNT



future automation



PS32

PULL & SWIVEL MANUAL WALL MOUNT



SPECIFICATION	MEASUREMENTS
Screen Sizes	32" - 55"
Maximum Weight Capacity	60Kg (132lb)
Maximum Extension From Wall	300mm (11.8")
Minimum Depth From Wall	52mm (2")
Packaging Dimensions	335 x 395 x 70mm (13.18 x 15.55 x 2.75")
Shipping Weight	12Kg (26lb)
Maximum Rotation	50° - Bi-directional with 32" screen - 36° with 43" - 27° with 55"
Movement Type	Manual
Mounting Patterns Supported	VESA 300, 200, 100 W x 300, 200, 100 H
Product Options / Features	Specific B&O and Loewe mounts / adapters, Custom RAL paint finishes, Wall Boxes
Package Contents	Mechanism
Marine Suitable	No

PS32

PULL & SWIVEL MANUAL WALL MOUNT

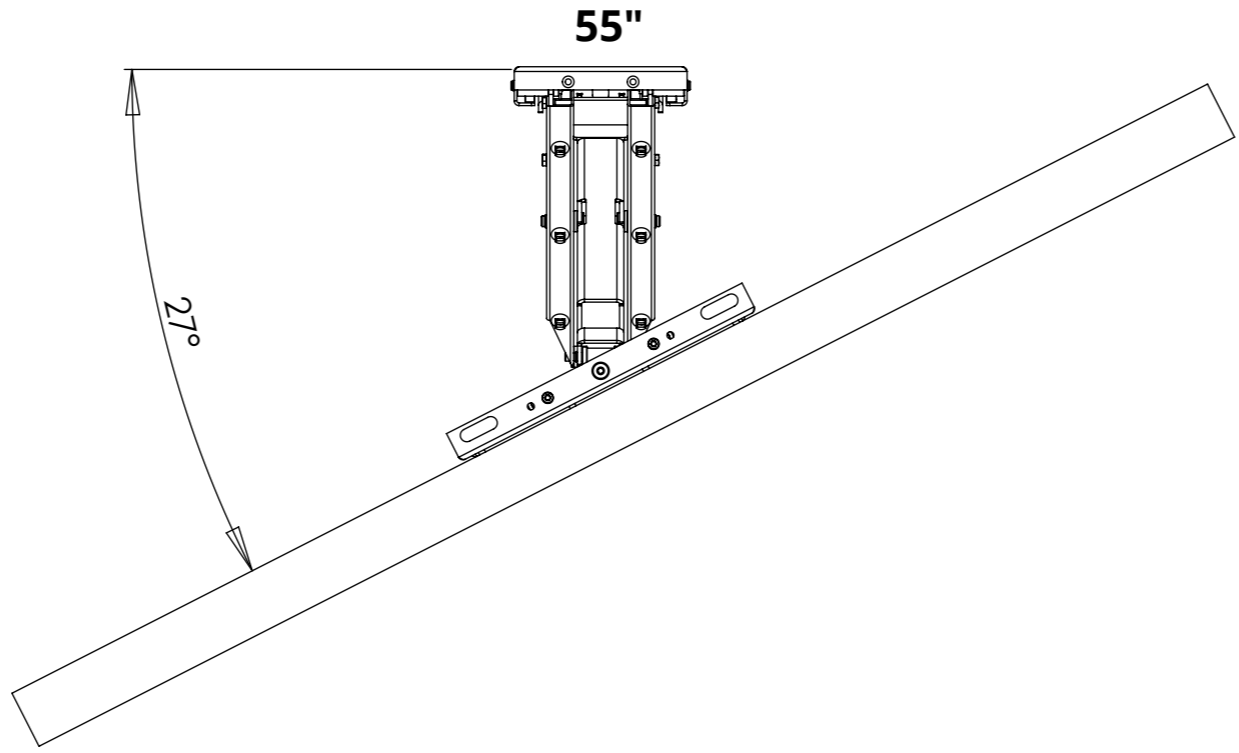
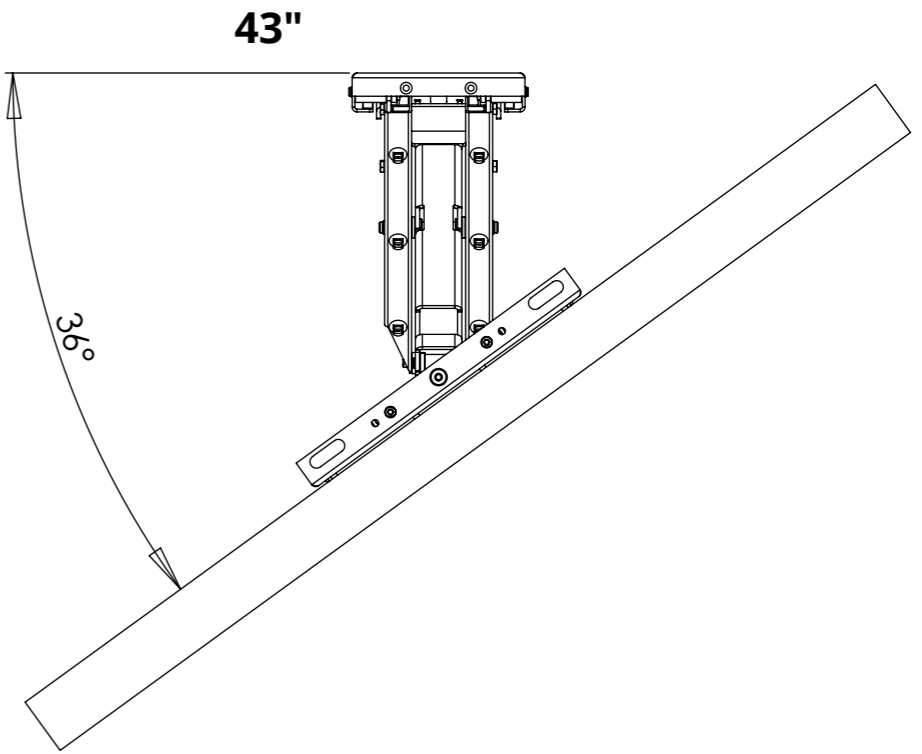
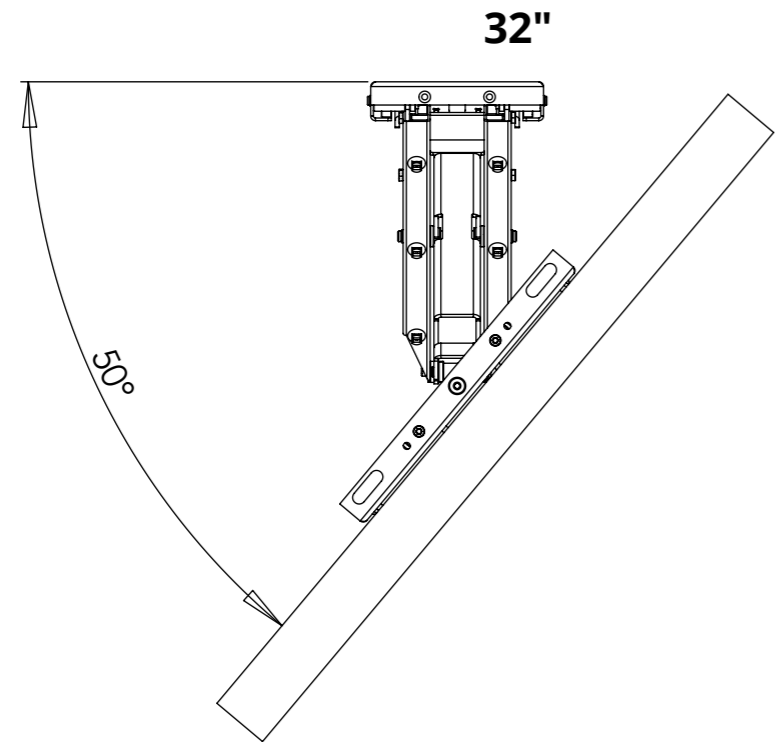


future automation

SCREEN ANGLES

The views below show the approximate maximum swivel angles achievable for varying screen sizes.

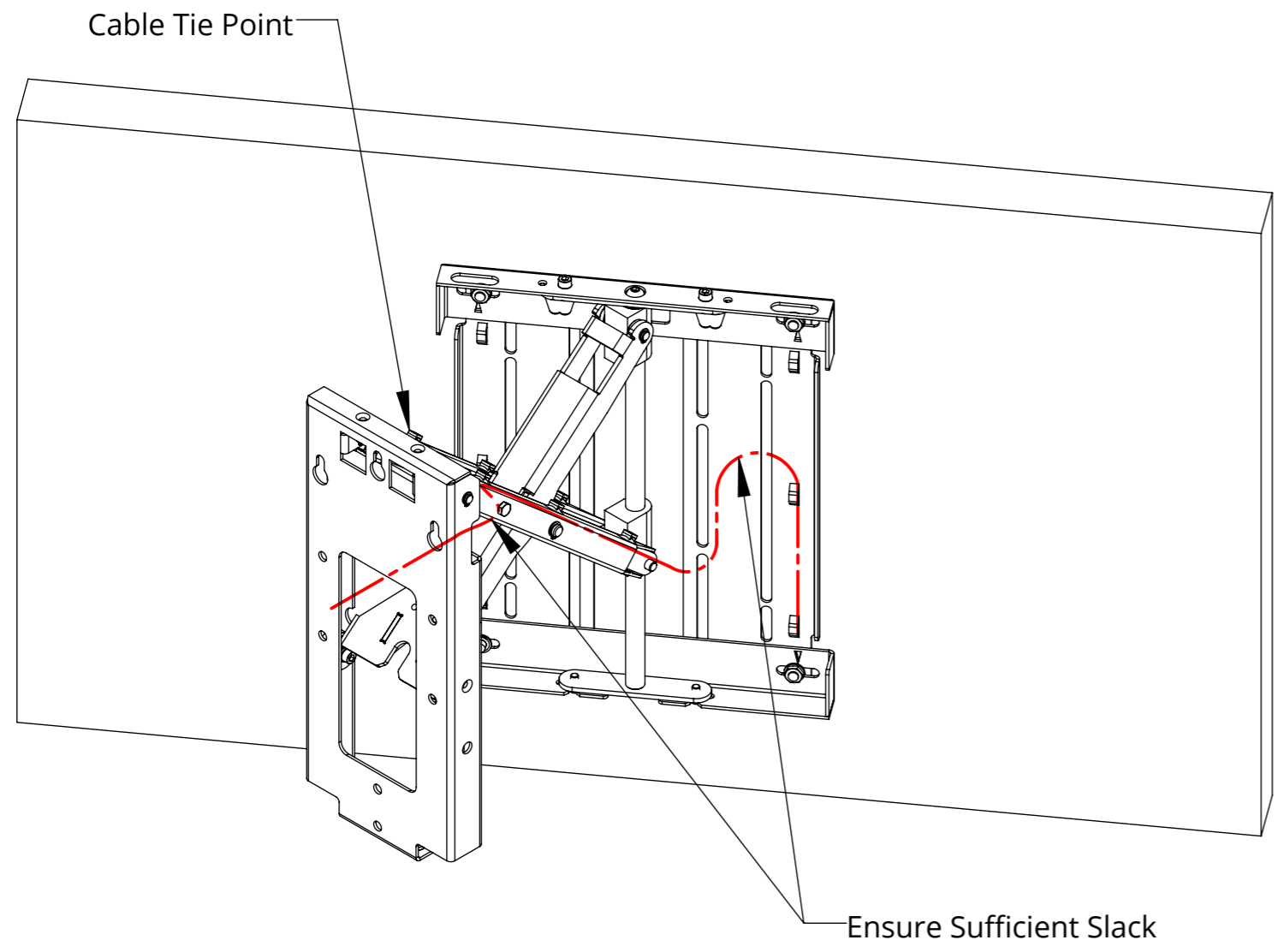
NOTE: The maximum swivel angle achievable is 50° regardless of screen size



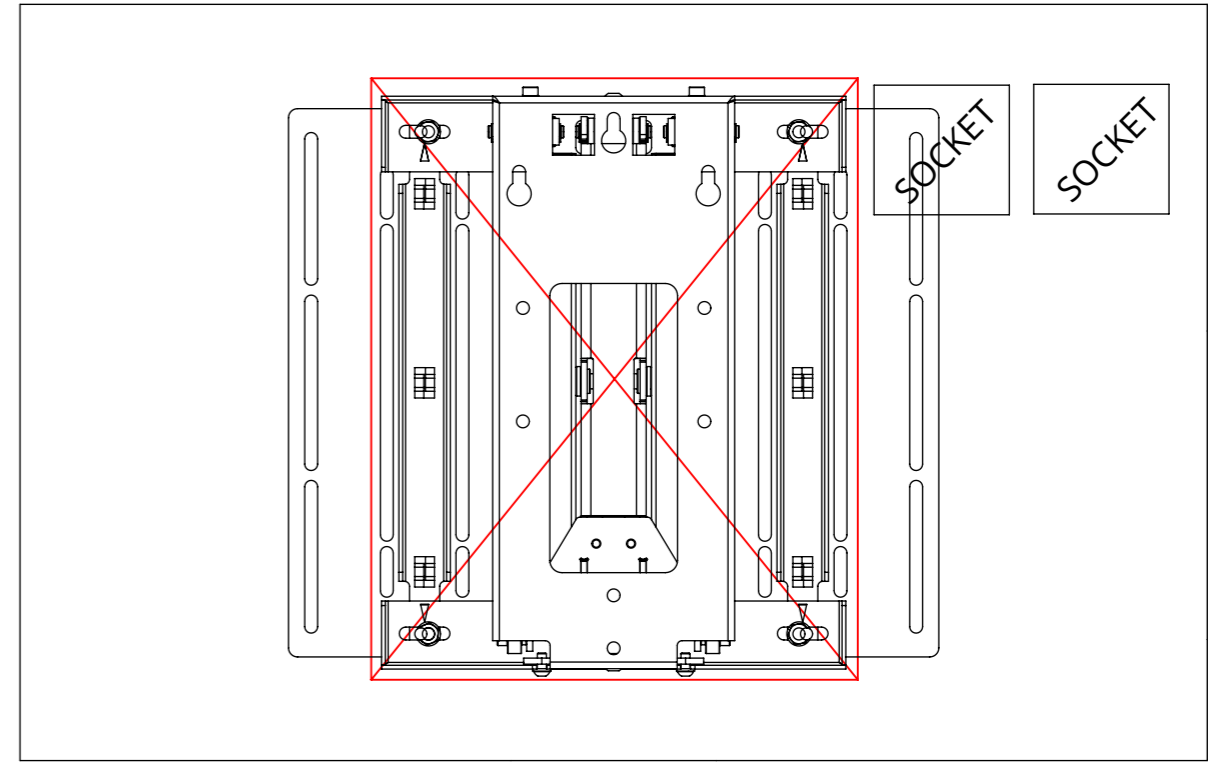
PS32 PULL & SWIVEL MANUAL WALL MOUNT

CABLE ROUTING & SOCKET PLACEMENT

Route the screen cables as shown below ensuring sufficient slack at moving points and secure in place using the integrated cable tie points.



Wall sockets should be ideally placed as shown outside of the bracket footprint to maximise space for cable routing



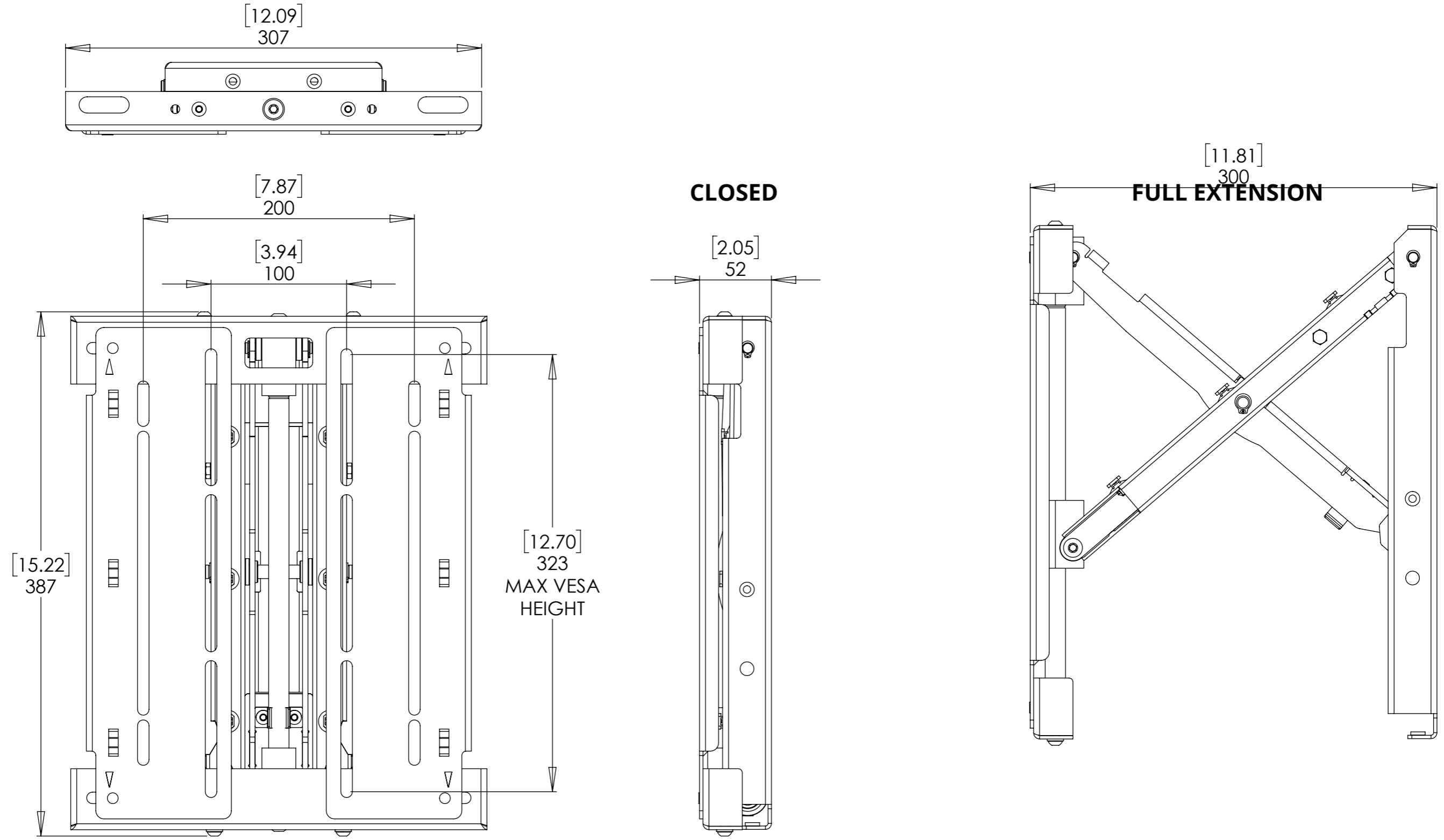
PS32

PULL & SWIVEL MANUAL WALL MOUNT



future automation

GENERAL DIMENSIONS

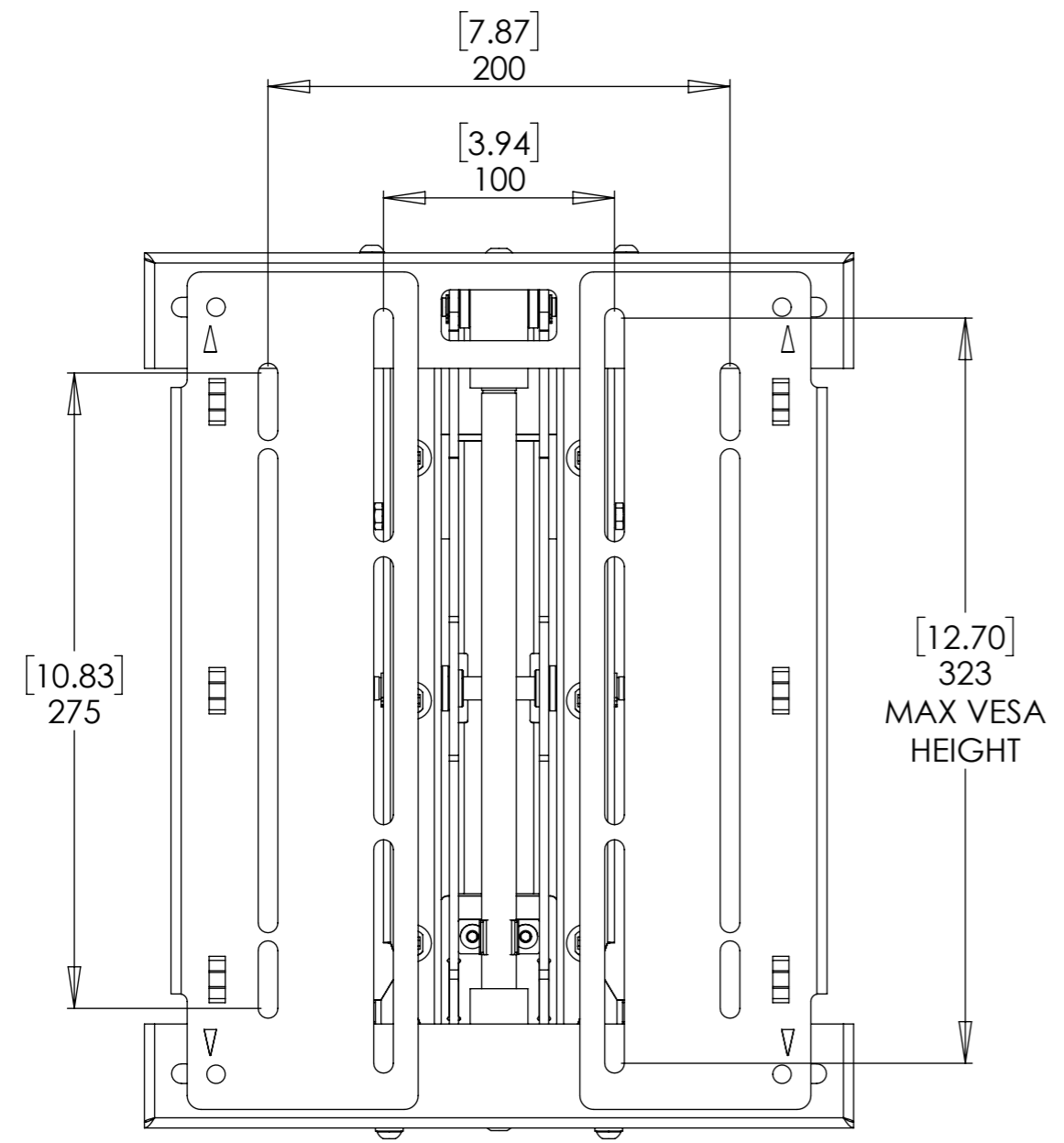


PULL & SWIVEL MANUAL WALL MOUNT

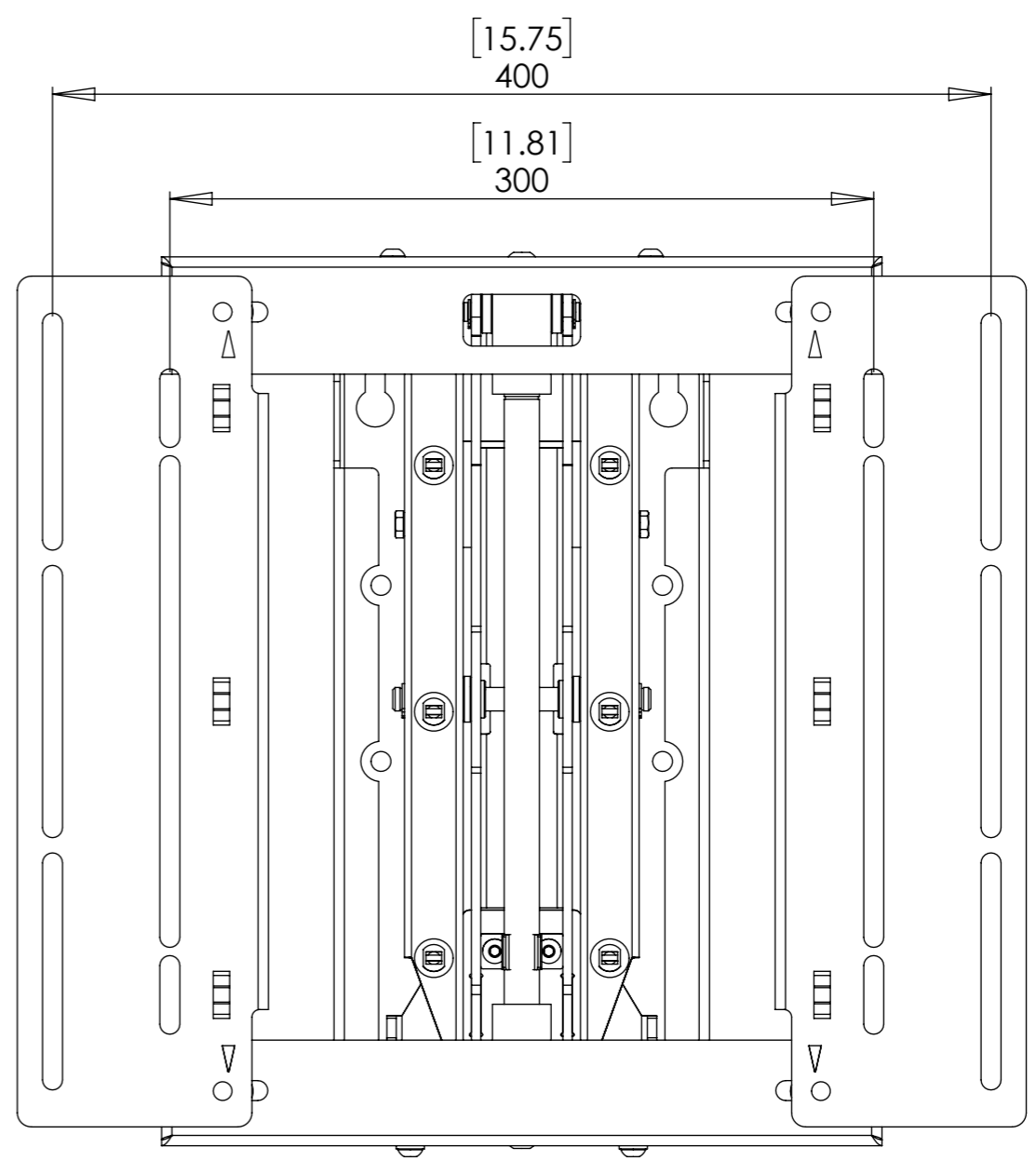
GENERAL DIMENSIONS

The screen mount uprights are set as default to VESA 100/200 Width. By removing these and swapping over, the mount uprights can be set to VEASE 300/400 Width

DEFAULT MOUNT ORIENTATION



V300/400

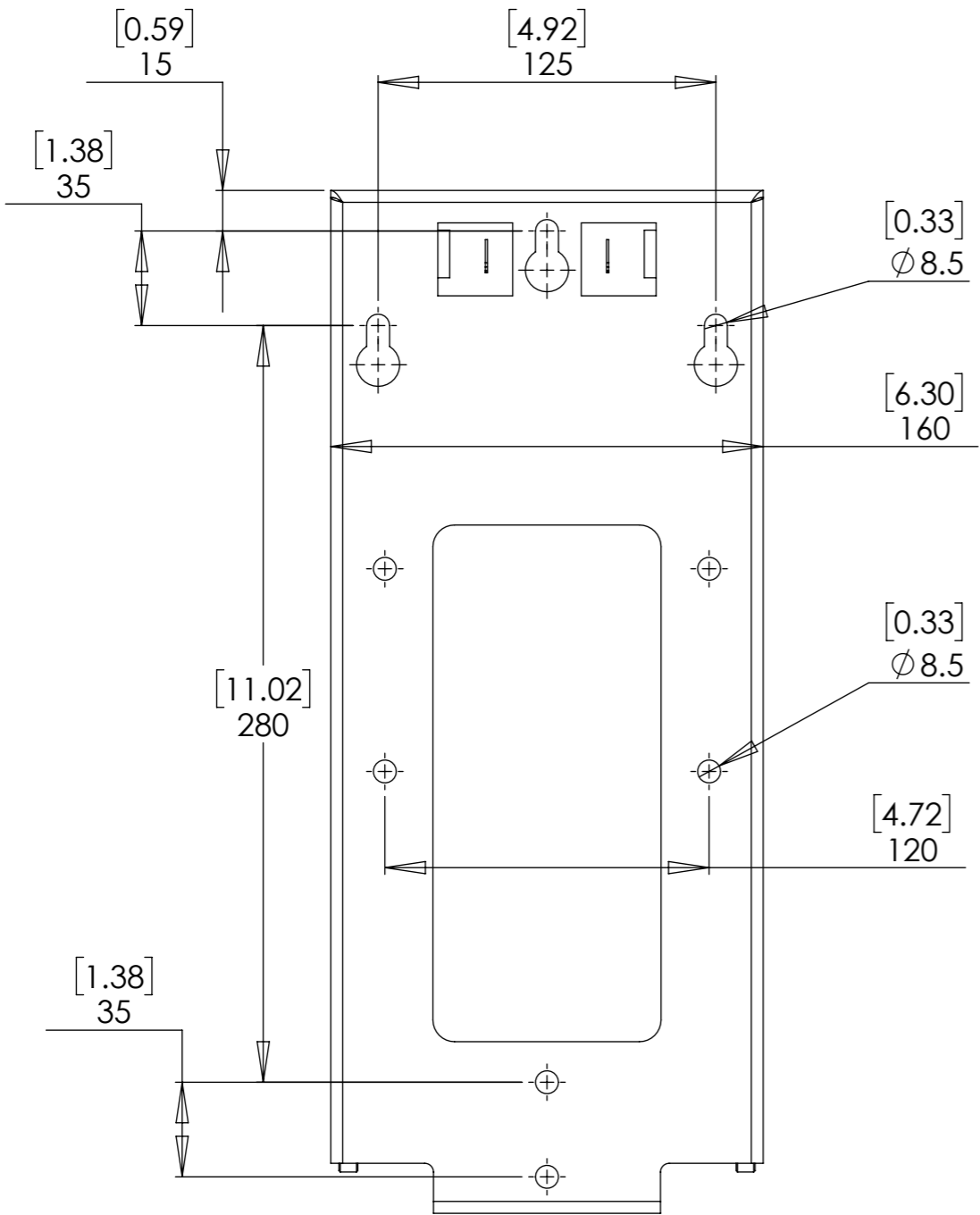


PS32 PULL & SWIVEL MANUAL WALL MOUNT

MOUNTING DIMENSIONS

WALL PLATE

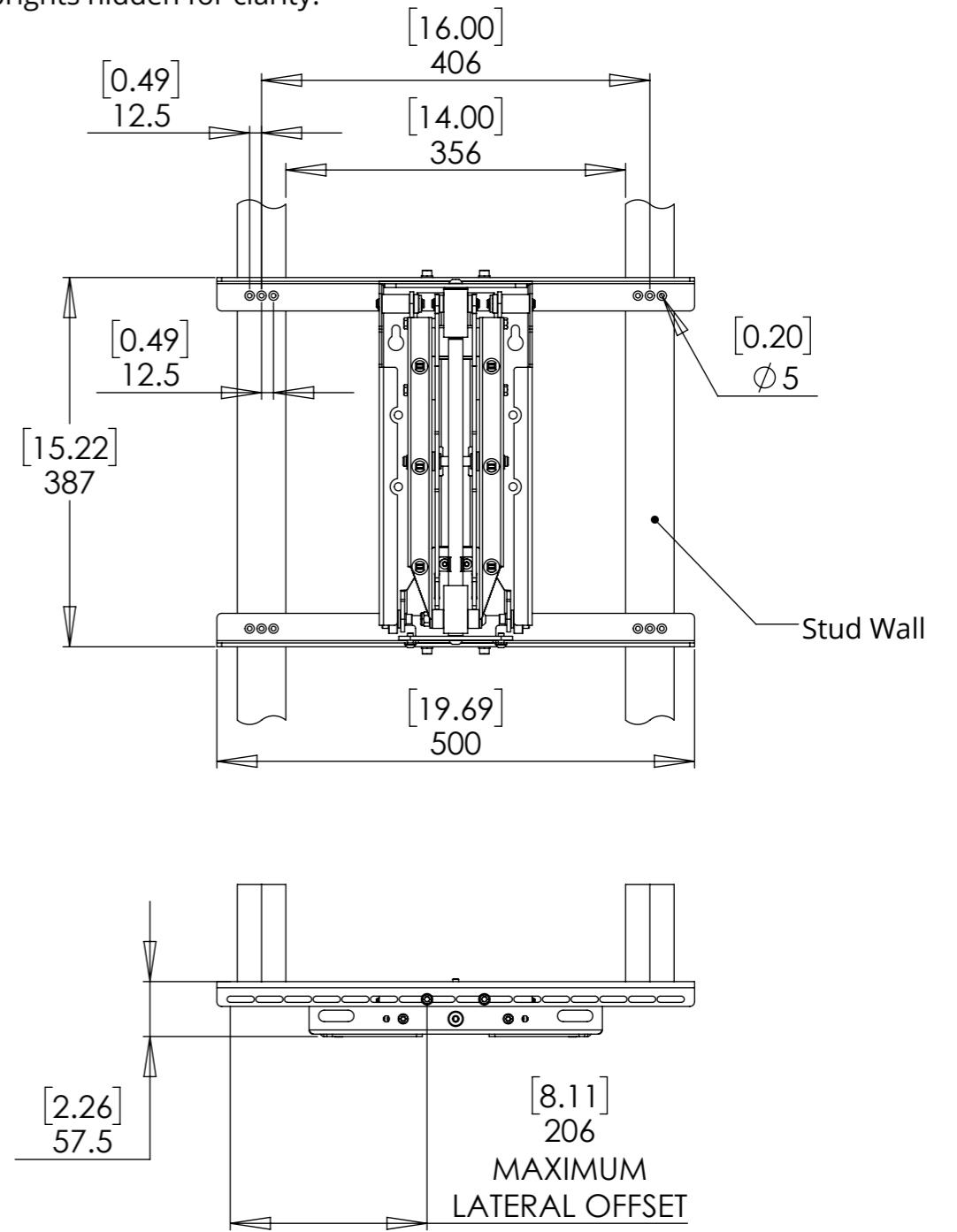
Make sure the wall that the bracket is being mounted to is secure and strong enough to support the bracket and screen.



STUD RAIL KIT

The included Stud Rail Kit allows the PS32 to be easily installed on a stud wall and allows for the lateral position of the mount to be adjusted if desired.

Uprights hidden for clarity.



PS32

PULL & SWIVEL MANUAL WALL MOUNT

WALL BOX OPTIONS

The PS32 can be installed in each of the wall boxes shown below for an ultra slim installation, whilst still providing space for additional accessories such as HDMI baluns, Apple TV, Samsung One Connect etc. See corresponding technical sheet for more information.

- Each wall box comes complete with:
 - PS bracket mount rails
 - Set of 3 accessory clamp brackets
 - Set of trim strips
 - WattBox mounting kit

