

SONANCE

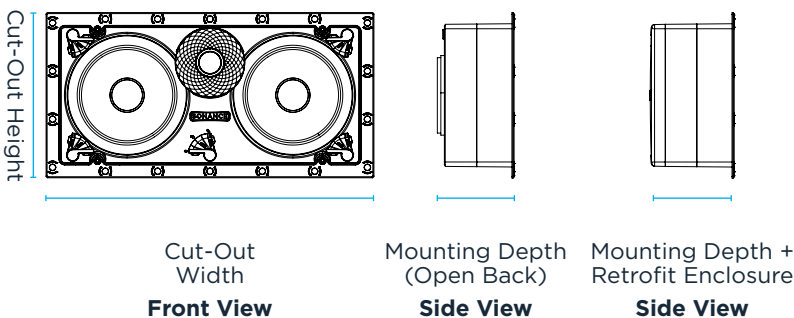
VISUAL EXPERIENCE DATA SHEET

VX62 LCR

TECHNICAL SPECIFICATIONS

SKU	VX62 LCR 93655 - Each
Tweeter	1" (25mm) cloth dome, Ferrofluid-cooled, acoustic back chamber
Woofers	Two 6.5" (165mm) textured polypropylene cones, rubber surrounds
Frequency Response	45Hz - 20kHz +/-3dB
Impedance	8 ohms nominal; 6 ohms minimum
Power Handling (RMS)	5 watts minimum; 125 watts maximum
Sensitivity (2.83V/1m)	89dB SPL
Micro Trim Grille (WxH)	8.23" x 15.87" (208.9mm x 403.1mm)
Trimless Grille (WxH)	7.88" x 15.52" (200.1mm x 394.3mm)
Speaker Mounting Depth (D)	3.5" (89mm)
Mounting Depth + Retrofit Encl. (D)	3.84" (97.6mm)
Cut-Out Dims (WxH)	6.9375" x 14.57" (176mm x 370mm)
Shipping Weight	9 lbs. (4.1kg)

DIMENSIONAL DRAWINGS



VX 6" LCR ACCESSORIES

VX6-LCR-GRILLE-T 6" Micro Trim LCR Grille / Each	93657
VX6-LCR-GRILLE-NT 6" Trimless LCR Grille / Each	93658
VX6-LCR-ENCL 6" Rectangle Enclosure / Each	93659

LIMITED LIFETIME WARRANTY

Sonance warrants to the first end-user purchaser that this Sonance-brand product ("Product"), when purchased from an authorized Sonance Dealer/Distributor, will be free from defective workmanship and materials for the life of the Product, except for the grille, which is warranted for five (5) years. Sonance will at its option and expense either repair the defect or replace the Product with a new or remanufactured Product or a reasonable equivalent. ©2024 Sonance. All rights reserved. Sonance is a registered trademarks of Dana Innovations. Due to continuous product improvement, all features and specifications are subject to change without notice. For the latest Sonance product specification information visit our website at www.sonance.com. 991 Calle Amanecer • San Clemente, CA 92673 USA • Phone: (949) 492-7777 • Fax: (949) 361-5151 • Technical Support: (949) 492-7777

08.26.2024