

# SONANCE

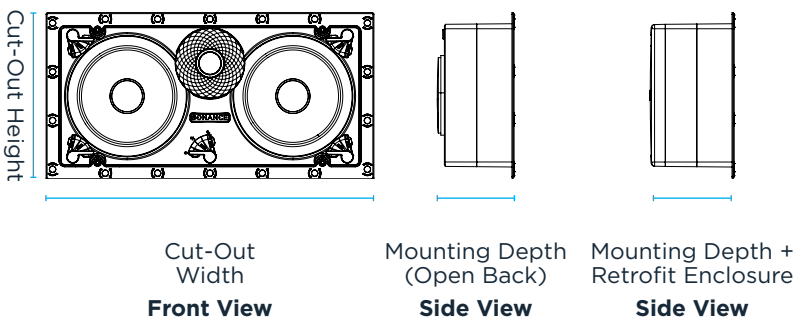
## VISUAL EXPERIENCE DATA SHEET

### VX66 LCR

#### TECHNICAL SPECIFICATIONS

SKU	<b>VX66 LCR</b> 93656 - Each
Tweeter	1" (25mm) ceramic dome, Ferrofluid-cooled, acoustic back chamber
Woofers	Two 6.5" (165mm) Kevlar/Nomex cones, rubber surrounds
Frequency Response	43Hz - 20kHz +/-3dB
Impedance	8 ohms nominal; 6 ohms minimum
Power Handling (RMS)	5 watts minimum; 140 watts maximum
Sensitivity (2.83V/1m)	90dB SPL
Micro Trim Grille (WxH)	8.23" x 15.87" (208.9mm x 403.1mm)
Trimless Grille (WxH)	7.88" x 15.52" (200.1mm x 394.3mm)
Speaker Mounting Depth (D)	3.5" (89mm)
Mounting Depth + Retrofit Encl. (D)	3.84" (97.6mm)
Cut-Out Dims (WxH)	6.9375" x 14.57" (176mm x 370mm)
Shipping Weight	10 lbs. (4.5kg)

#### DIMENSIONAL DRAWINGS



#### VX 6" LCR ACCESSORIES

<b>VX6-LCR-GRILLE-T</b> 6" Micro Trim LCR Grille / Each	<b>93657</b>
<b>VX6-LCR-GRILLE-NT</b> 6" Trimless LCR Grille / Each	<b>93658</b>
<b>VX6-LCR-ENCL</b> 6" Rectangle Enclosure / Each	<b>93659</b>

#### LIMITED LIFETIME WARRANTY

Sonance warrants to the first end-user purchaser that this Sonance-brand product ("Product"), when purchased from an authorized Sonance Dealer/Distributor, will be free from defective workmanship and materials for the life of the Product, except for the grille, which is warranted for five (5) years. Sonance will at its option and expense either repair the defect or replace the Product with a new or remanufactured Product or a reasonable equivalent. ©2024 Sonance. All rights reserved. Sonance is a registered trademarks of Dana Innovations. Due to continuous product improvement, all features and specifications are subject to change without notice. For the latest Sonance product specification information visit our website at [www.sonance.com](http://www.sonance.com). 991 Calle Amanecer • San Clemente, CA 92673 USA • Phone: (949) 492-7777 • Fax: (949) 361-5151 • Technical Support: (949) 492-7777 **08.26.2024**