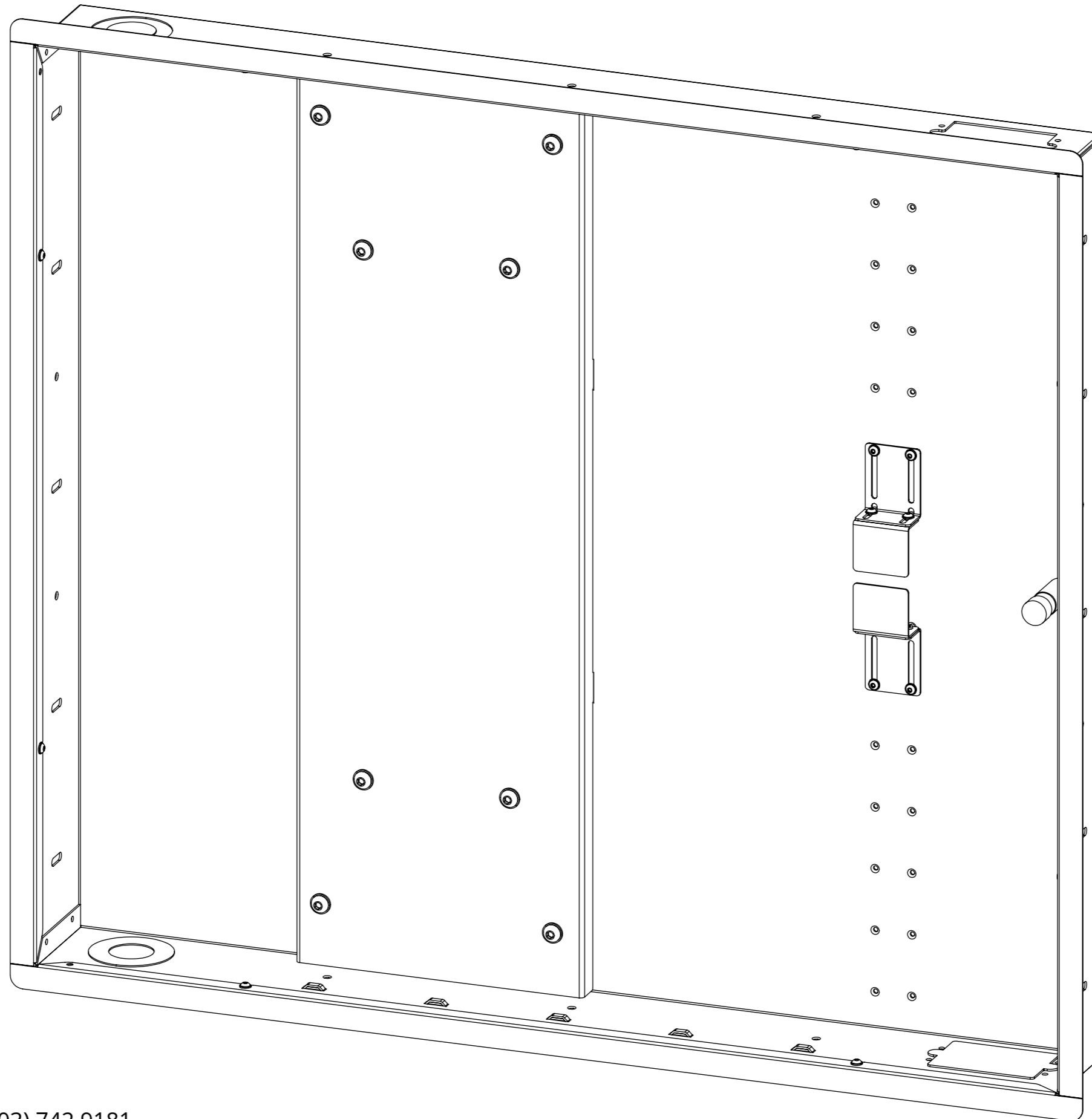


WB-DA4

WALL BOX FOR DA4



future automation



WB-DA4

WALL BOX FOR DA4



future automation

SPECIFICATION	MEASUREMENTS
Product Dimensions (WxHxD)	877mm (34 1/2") x 787mm (31") x 99mm (3 7/8")
Product Weight	15kg (33lb)
Packaging Dimensions	920mm (36 1/4") x 860mm (33 7/8") x 220mm (8 11/16")
Shipping Weight	17kg (37lb)
Mounting Patterns Supported	VESA 400, 300, 200, 100 W x 400, 300, 200, 100 H
Product Options / Features	Specific B&O and Loewe mounts / adapters, Custom RAL paint finishes
Package Contents	1x Wall Box, 1x Pair of Accessory Clamps, 1x Buffer Stop, 2x Horizontal Wall Trim Strips , 2x Vertical Wall Trim Strips & Bolt Pack
Marine Suitable	No

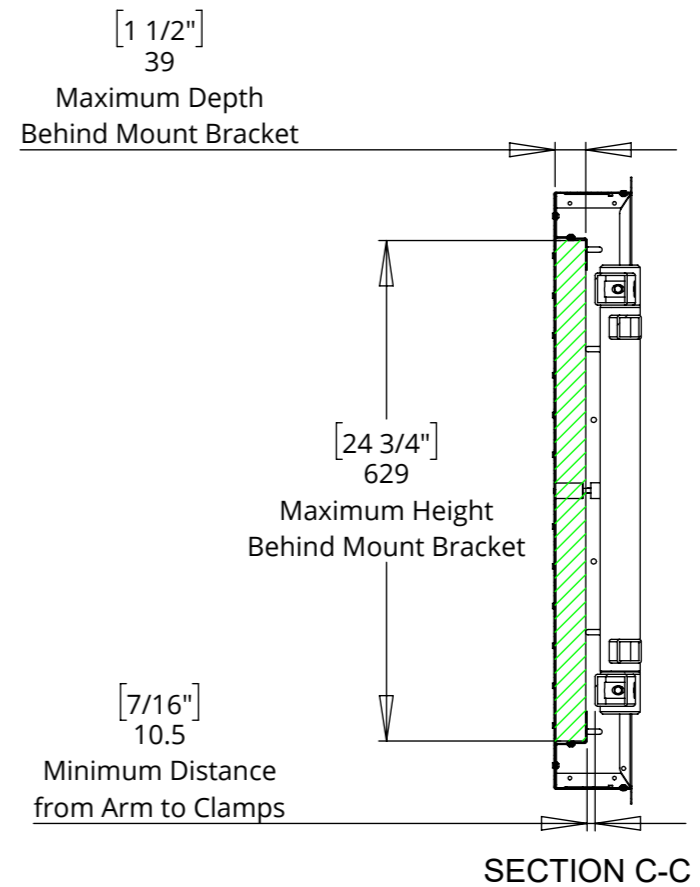
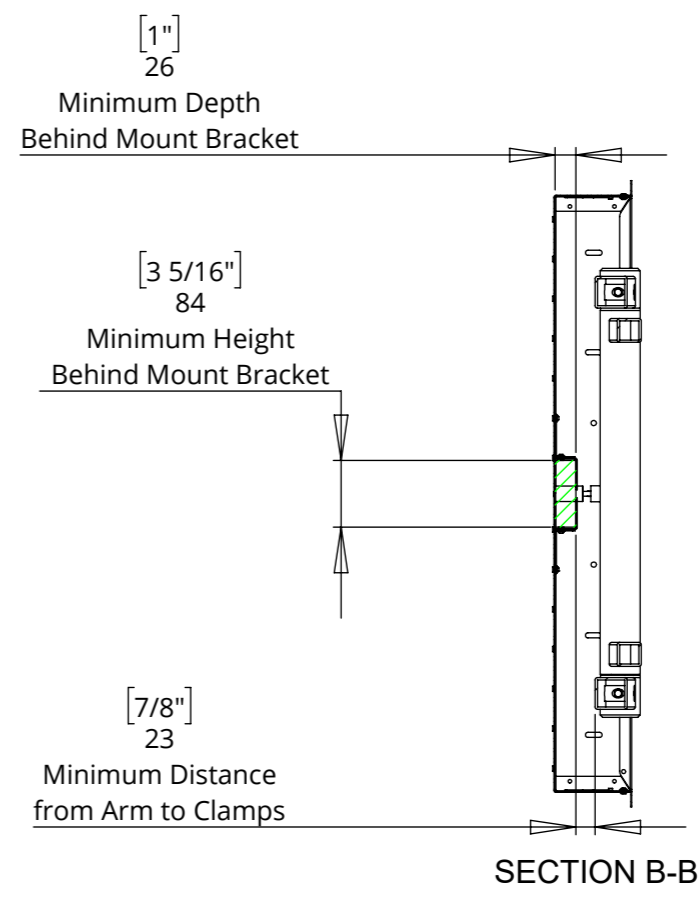
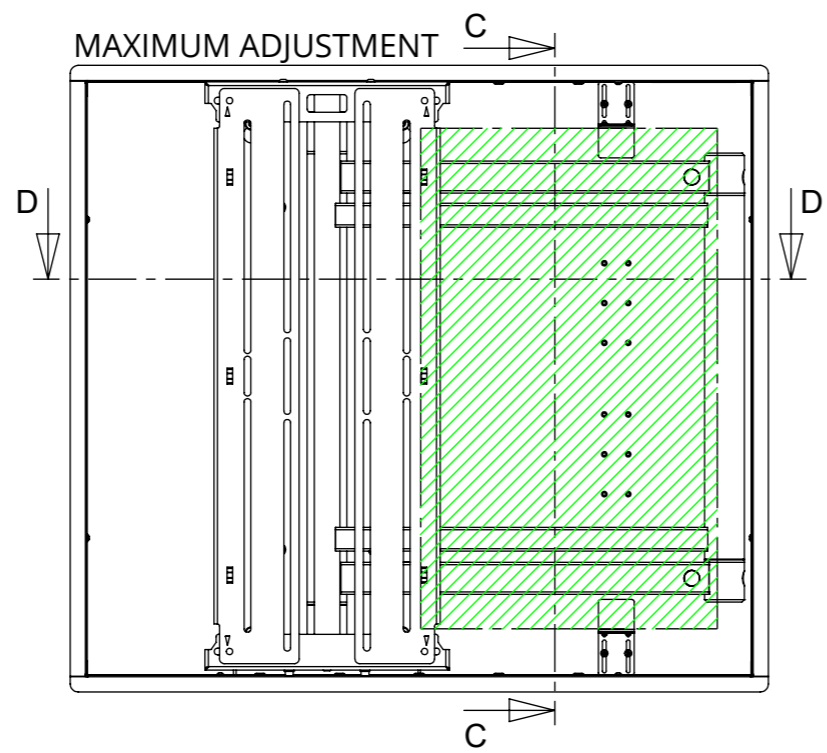
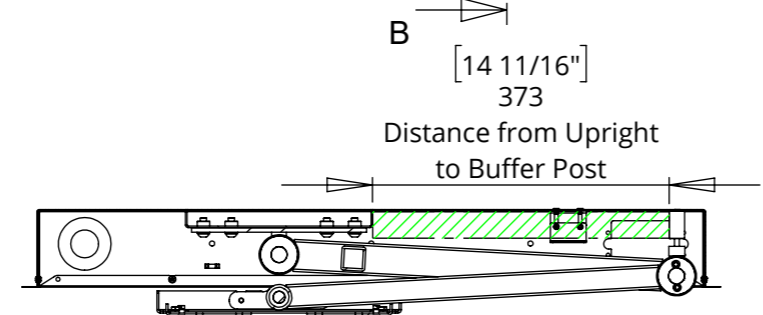
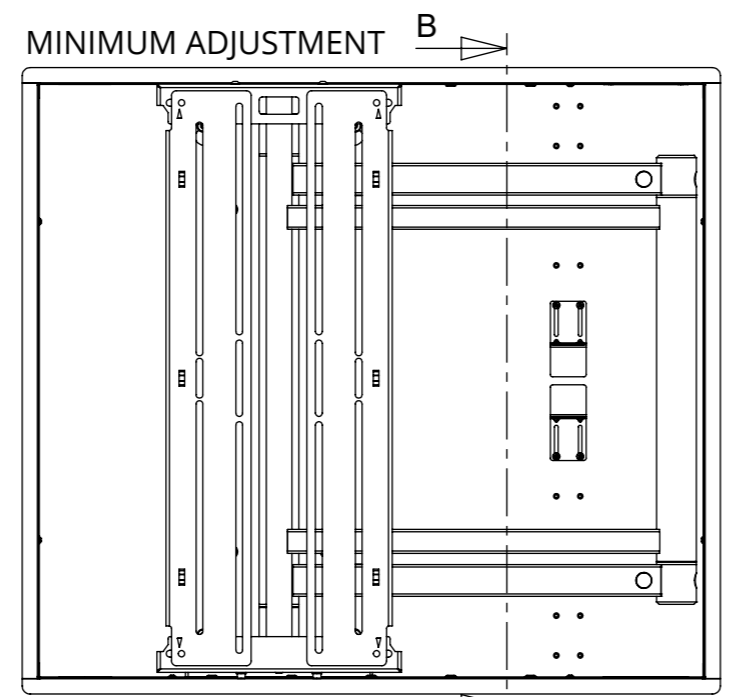
WB-DA4

WALL BOX FOR DA4

ACCESSORY MOUNTING

The WB-DA4 features easily adjustable accessory clamps and mounting space for AV accessories.

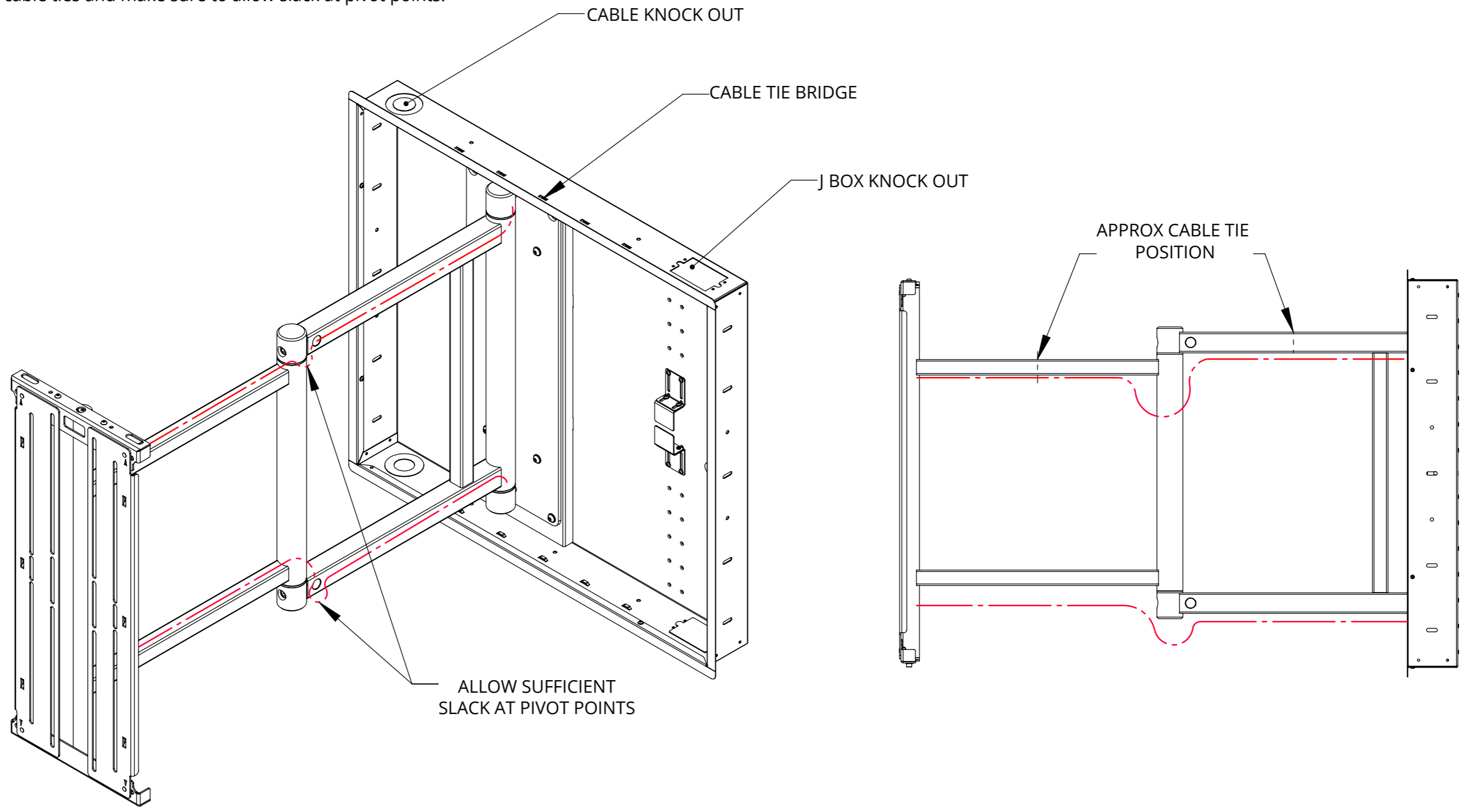
To access the mounting space, the DA4 must first be moved to the out position.



WB-DA4 WALL BOX FOR DA4

CABLE ROUTING

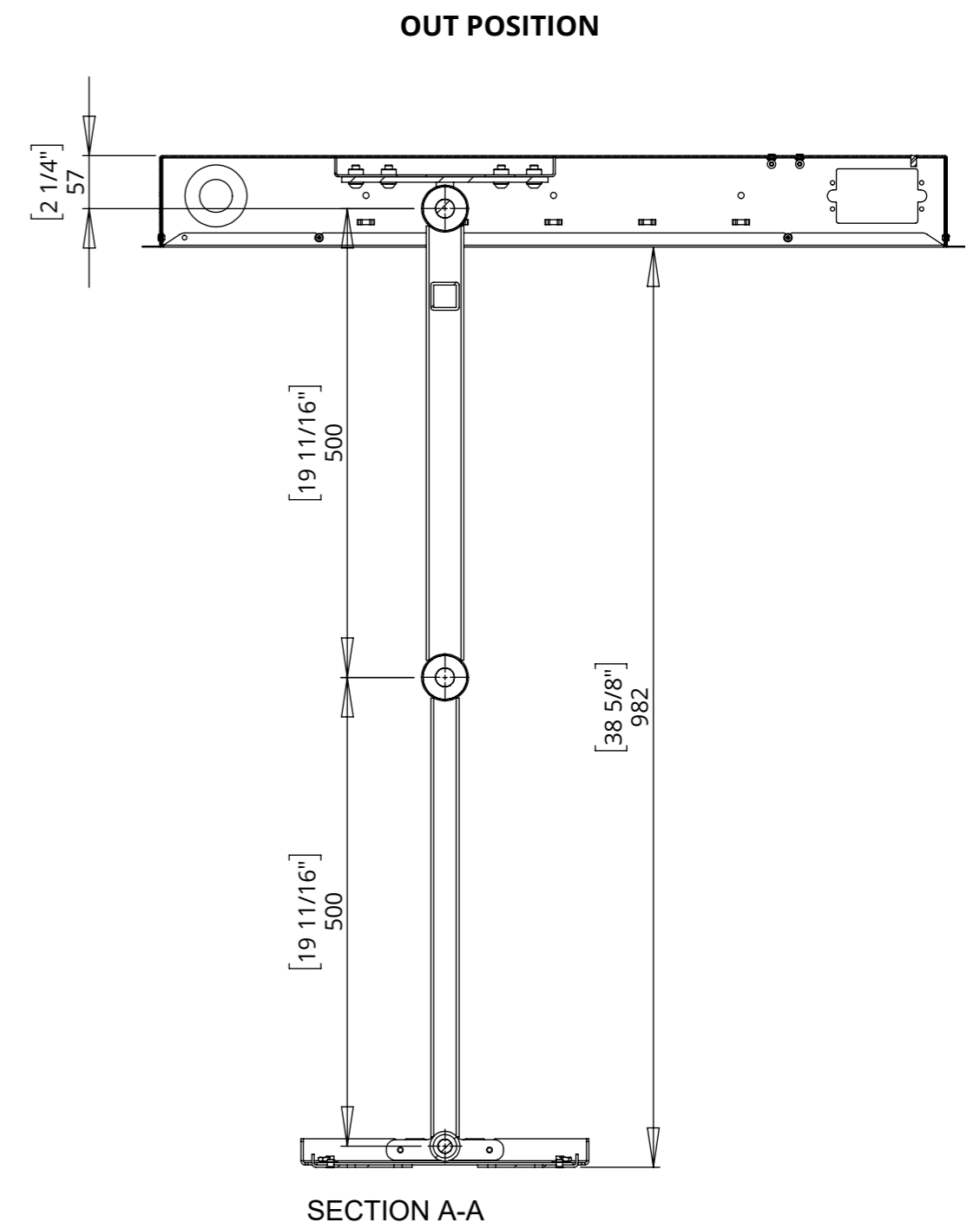
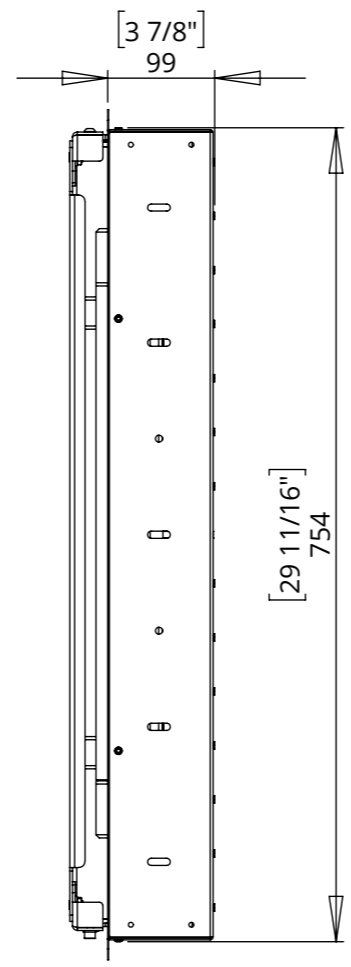
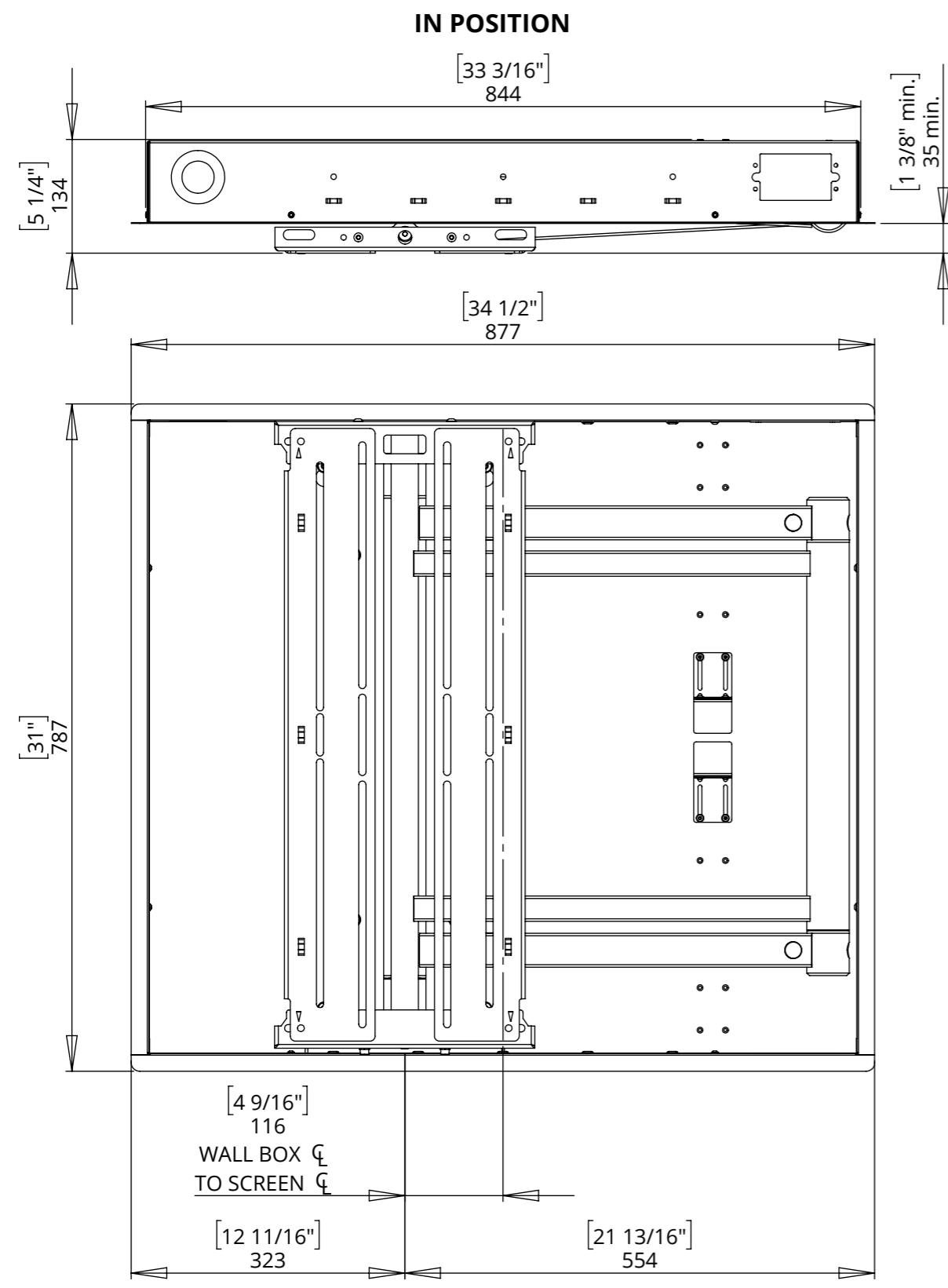
Cables can be run along the top or bottom arms as shown.
Secure the cables using cable ties and make sure to allow slack at pivot points.



WB-DA4

WALL BOX FOR DA4

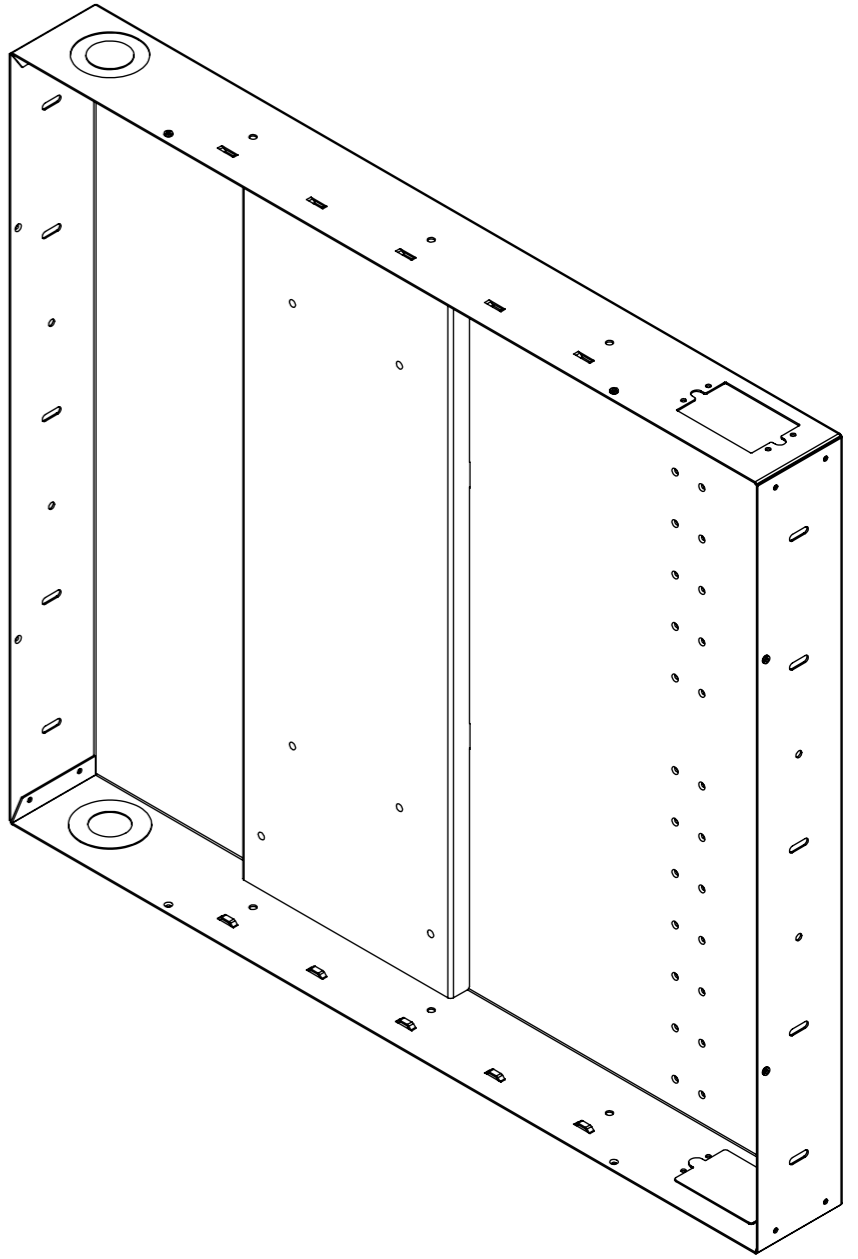
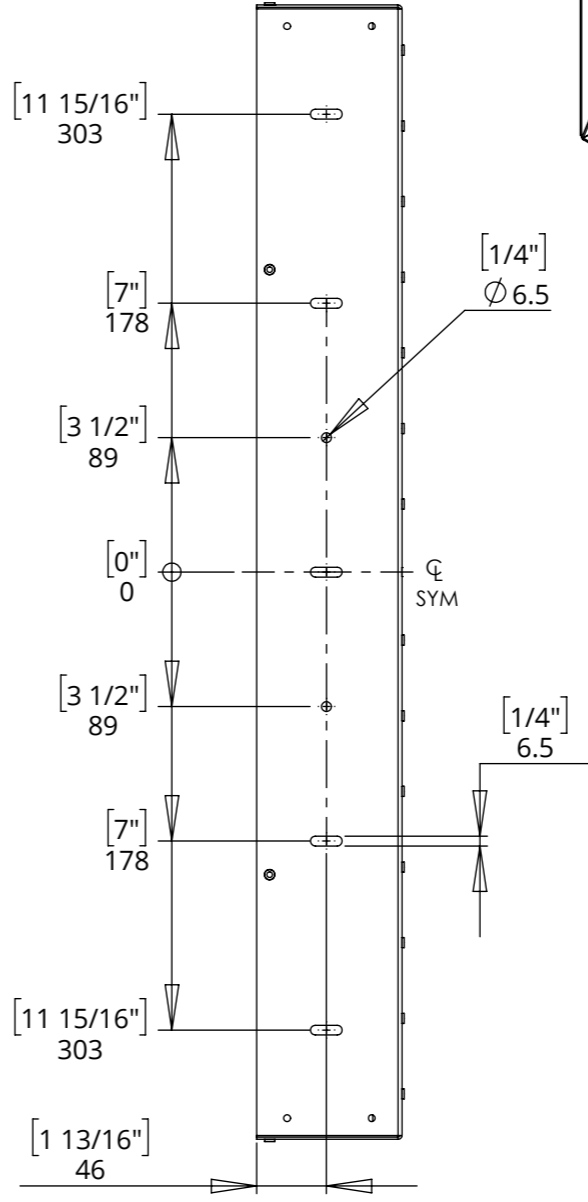
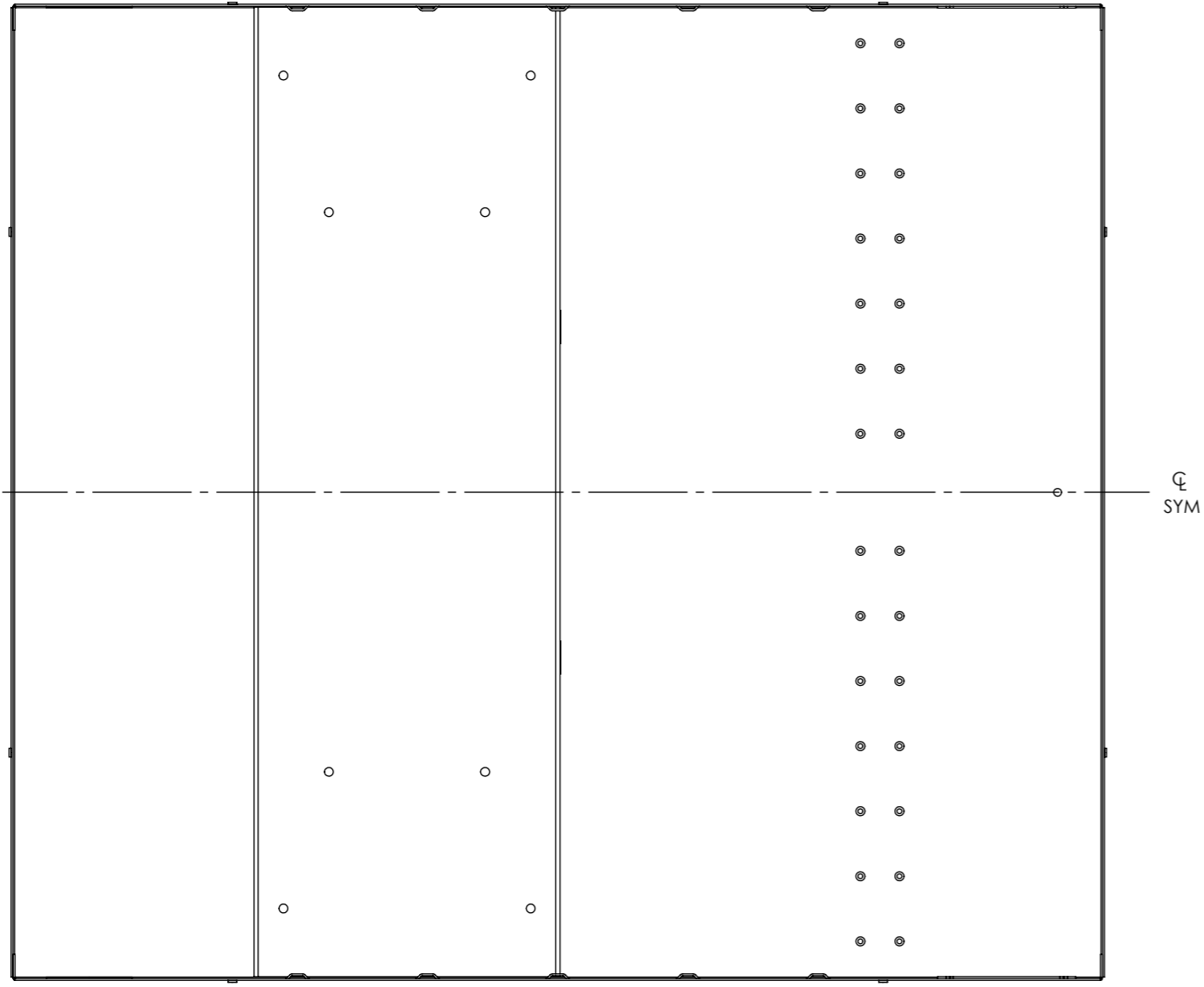
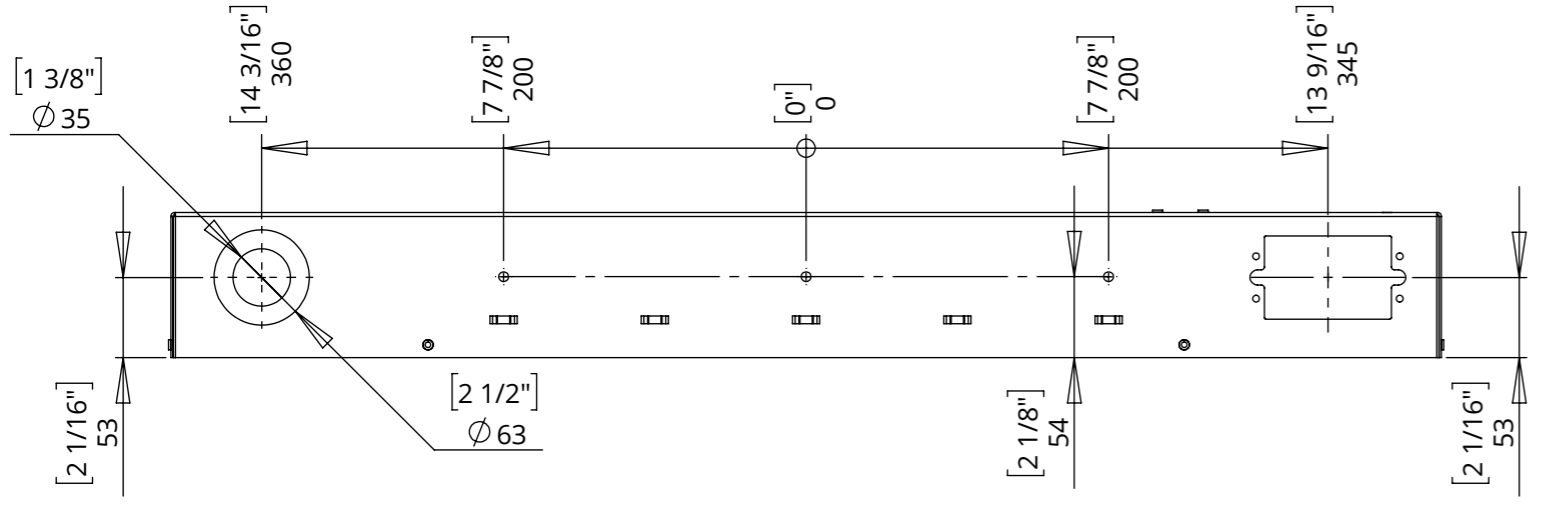
GENERAL DIMENSIONS



WB-DA4

WALL BOX FOR DA4

WALL BOX MOUNTING DIMENSIONS



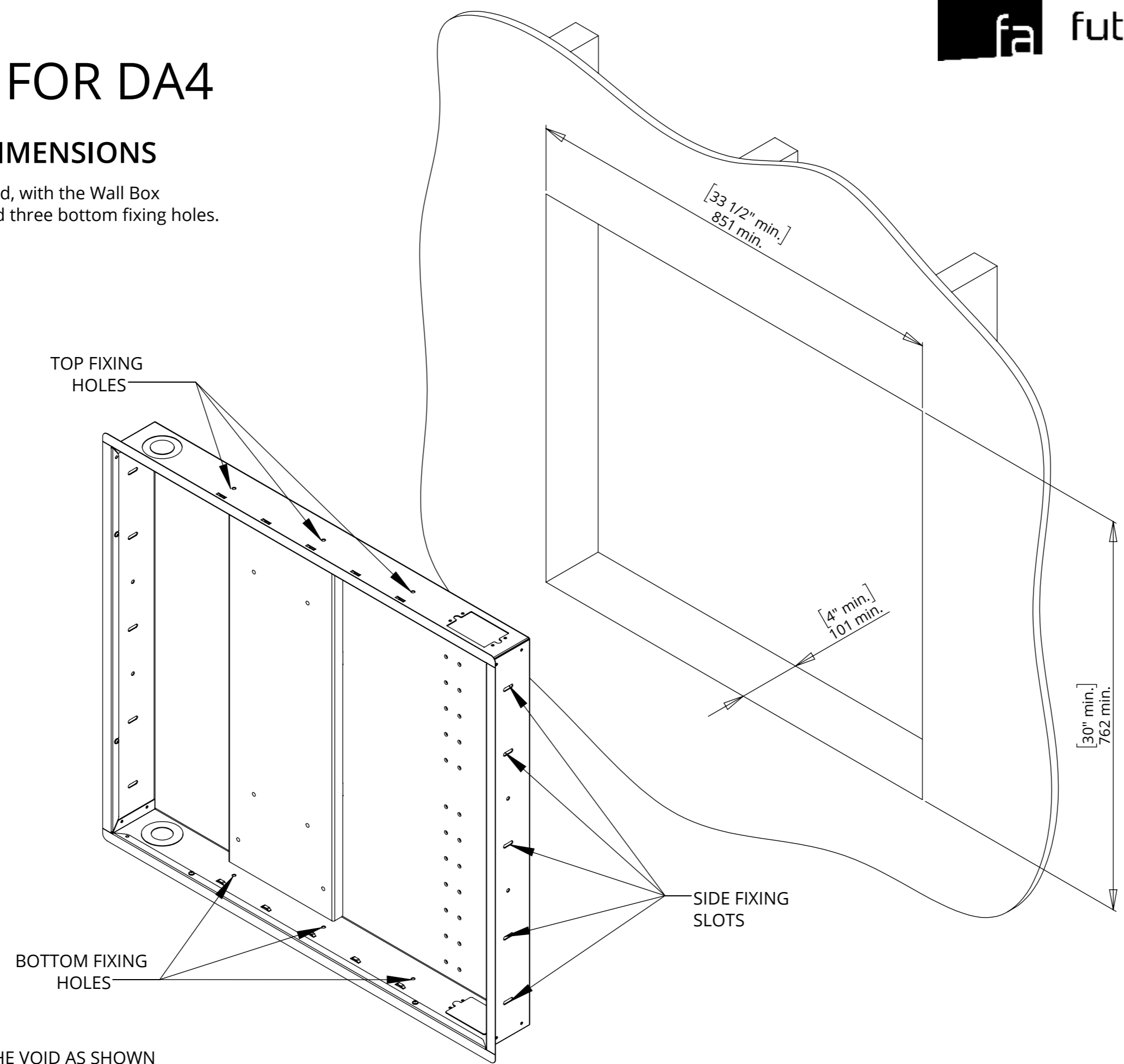
WB-DA4

WALL BOX FOR DA4



WALL FRAMING DIMENSIONS

Horizontal studs should be used, with the Wall Box fixed through the three top and three bottom fixing holes.



INSERT THE WALL BOX INTO THE VOID AS SHOWN THEN SECURE THROUGH FIXING HOLES