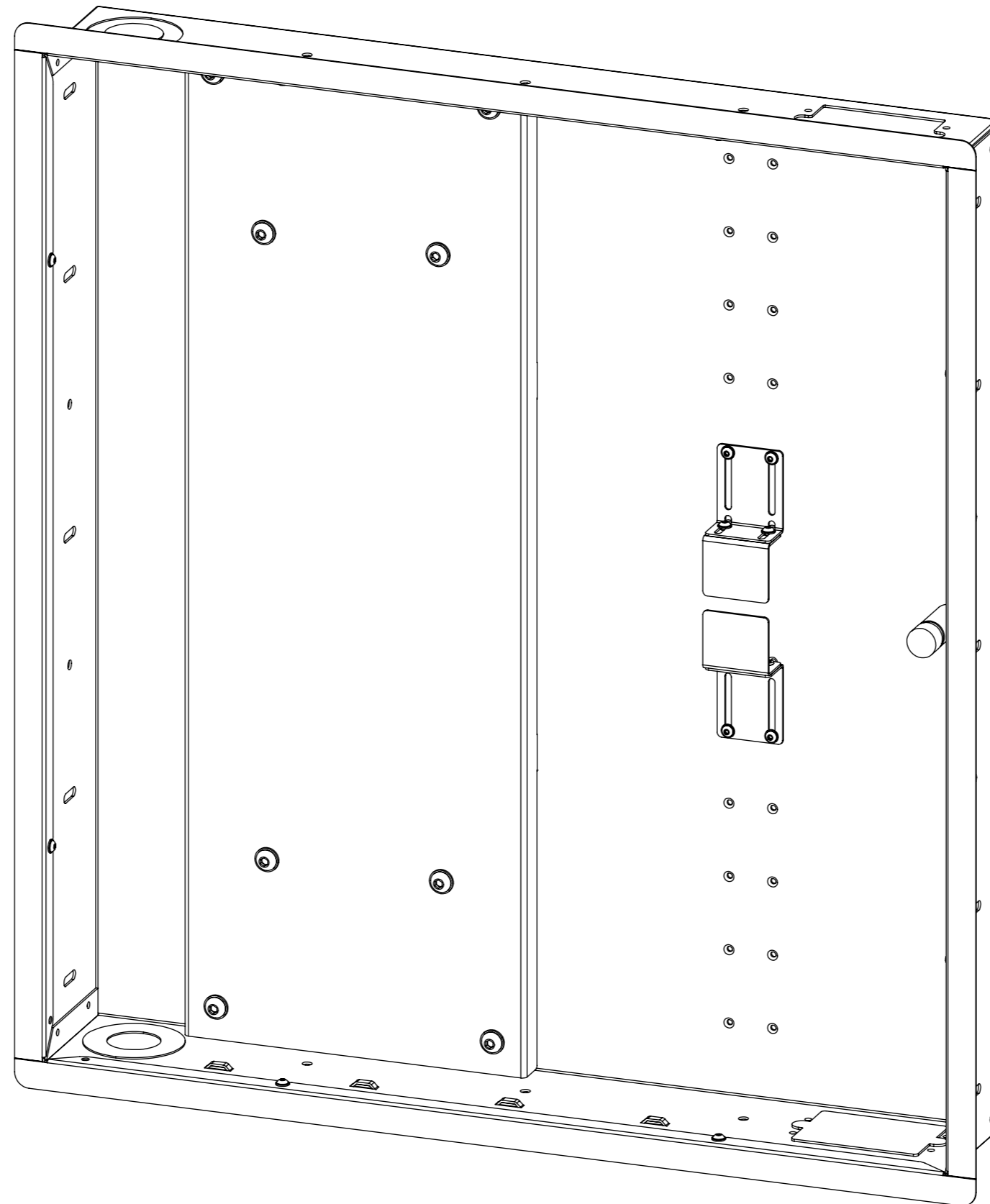


WB-DA3

WALL BOX FOR DA3



future automation



WB-DA3

WALL BOX FOR DA3



future automation

SPECIFICATION	MEASUREMENTS
Product Dimensions (WxHxD)	661mm (26 1/2") x 727mm (28 5/8") x 99mm (3 7/8")
Product Weight	13kg (29lb)
Packaging Dimensions	880mm (34 5/8") x 800mm (31 1/2") x 220mm (8 11/16")
Shipping Weight	15kg (33lb)
Mounting Patterns Supported	VESA 400, 300, 200, 100 W x 400, 300, 200, 100 H
Product Options / Features	Specific B&O and Loewe mounts / adapters, Custom RAL paint finishes
Package Contents	1x Wall Box, 1x Pair of Accessory Clamps, 1x Buffer Stop, 2x Horizontal Wall Trim Strips , 2x Vertical Wall Trim Strips & Bolt Pack
Marine Suitable	No

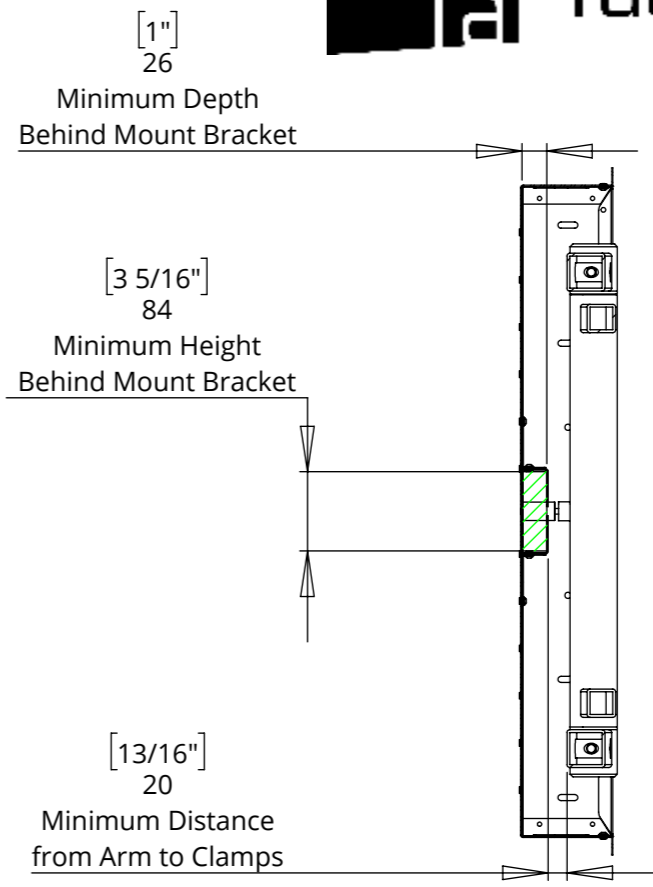
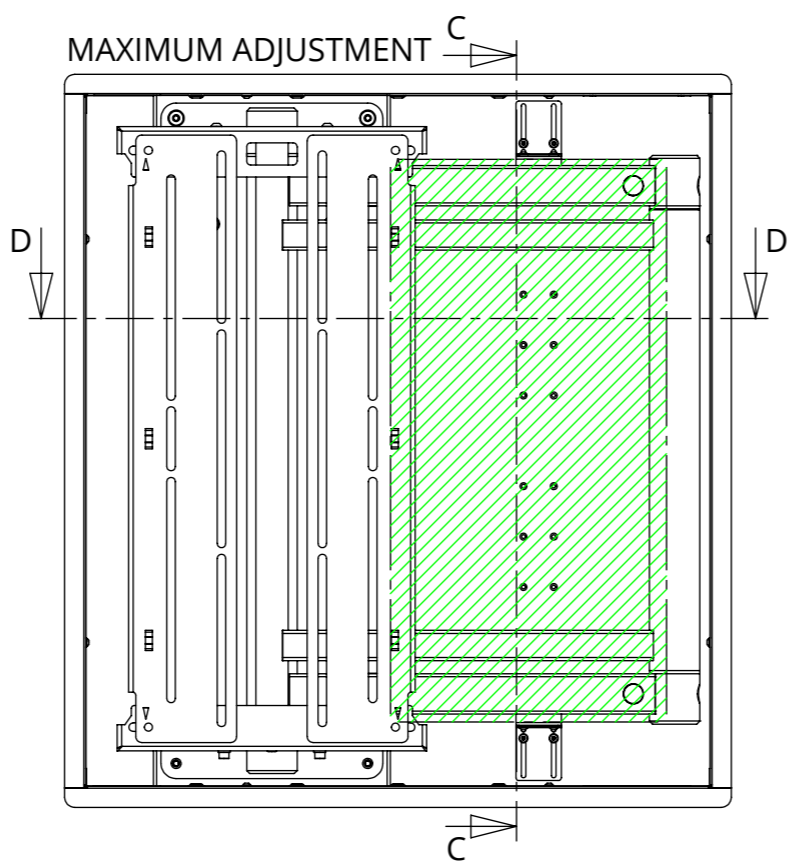
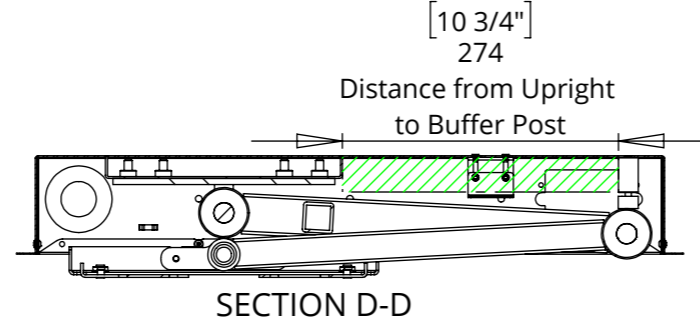
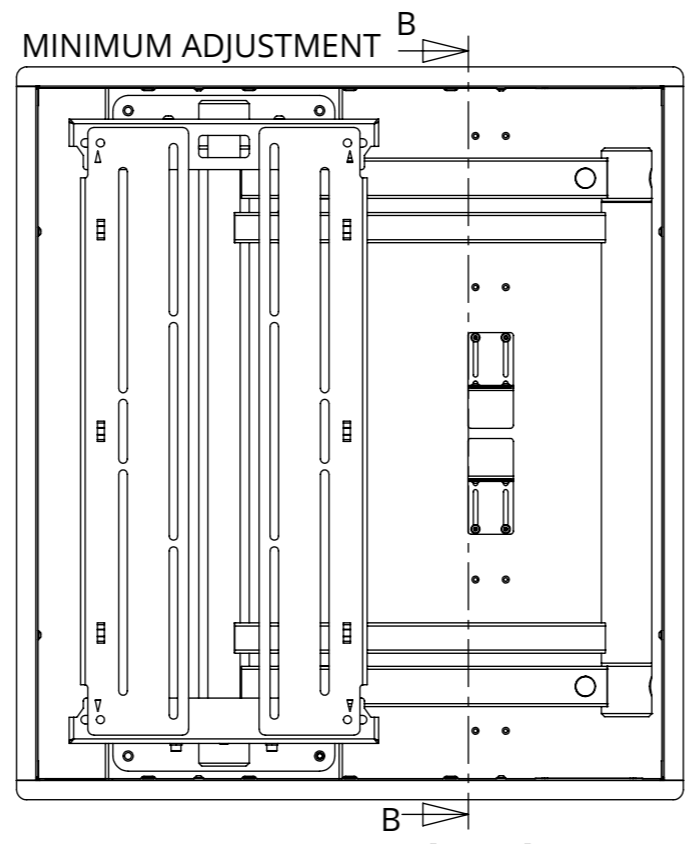
WB-DA3

WALL BOX FOR DA3

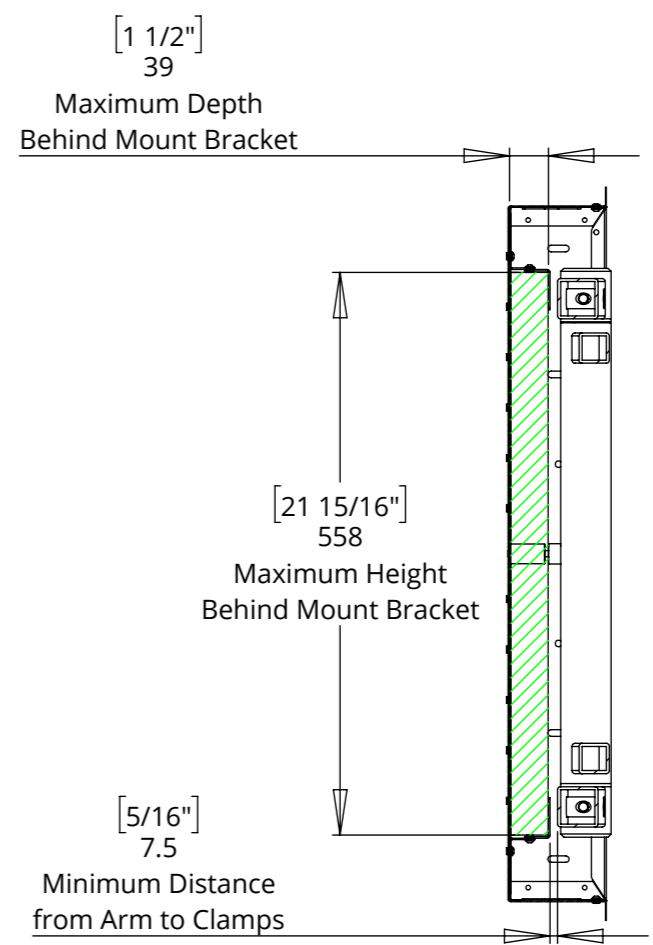
ACCESSORY MOUNTING

The WB-DA3 features easily adjustable accessory clamps and mounting space for AV accessories.

To access the mounting space, the DA3 must first be moved to the out position.



SECTION B-B

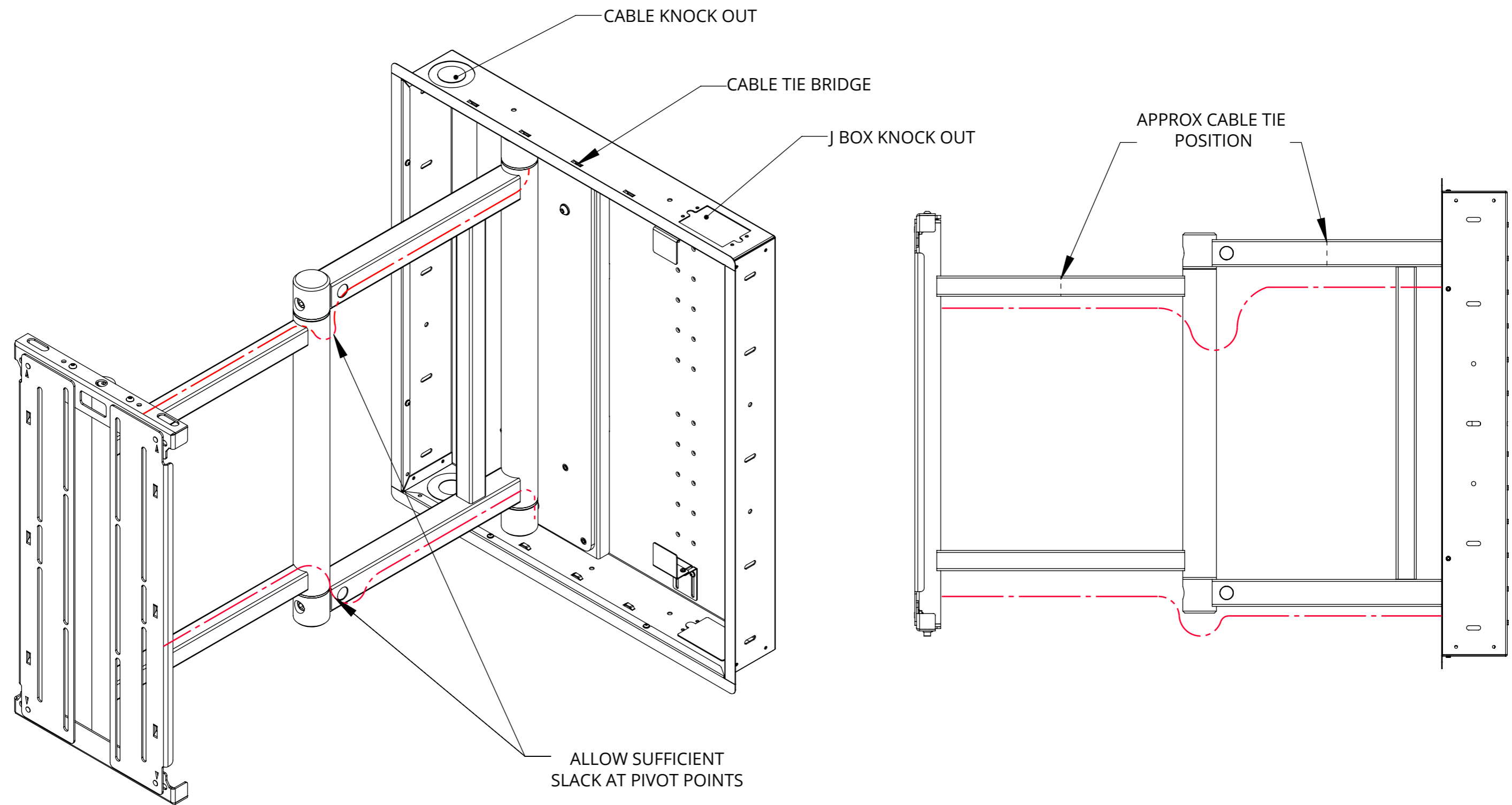


SECTION C-C

WB-DA3 WALL BOX FOR DA3

CABLE ROUTING

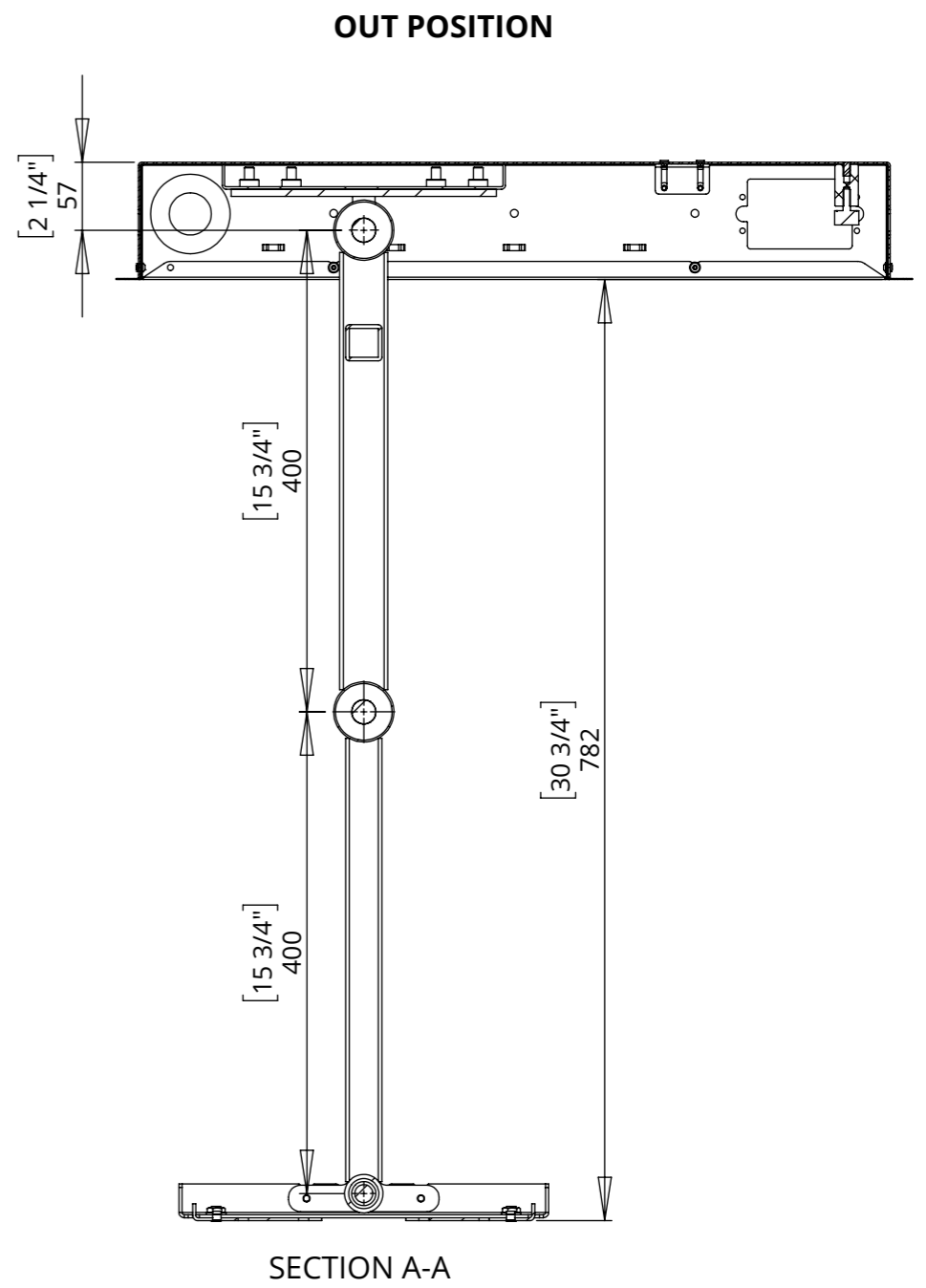
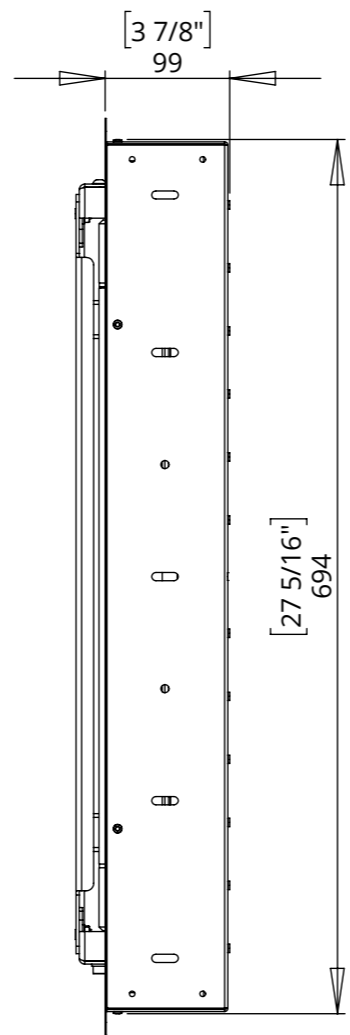
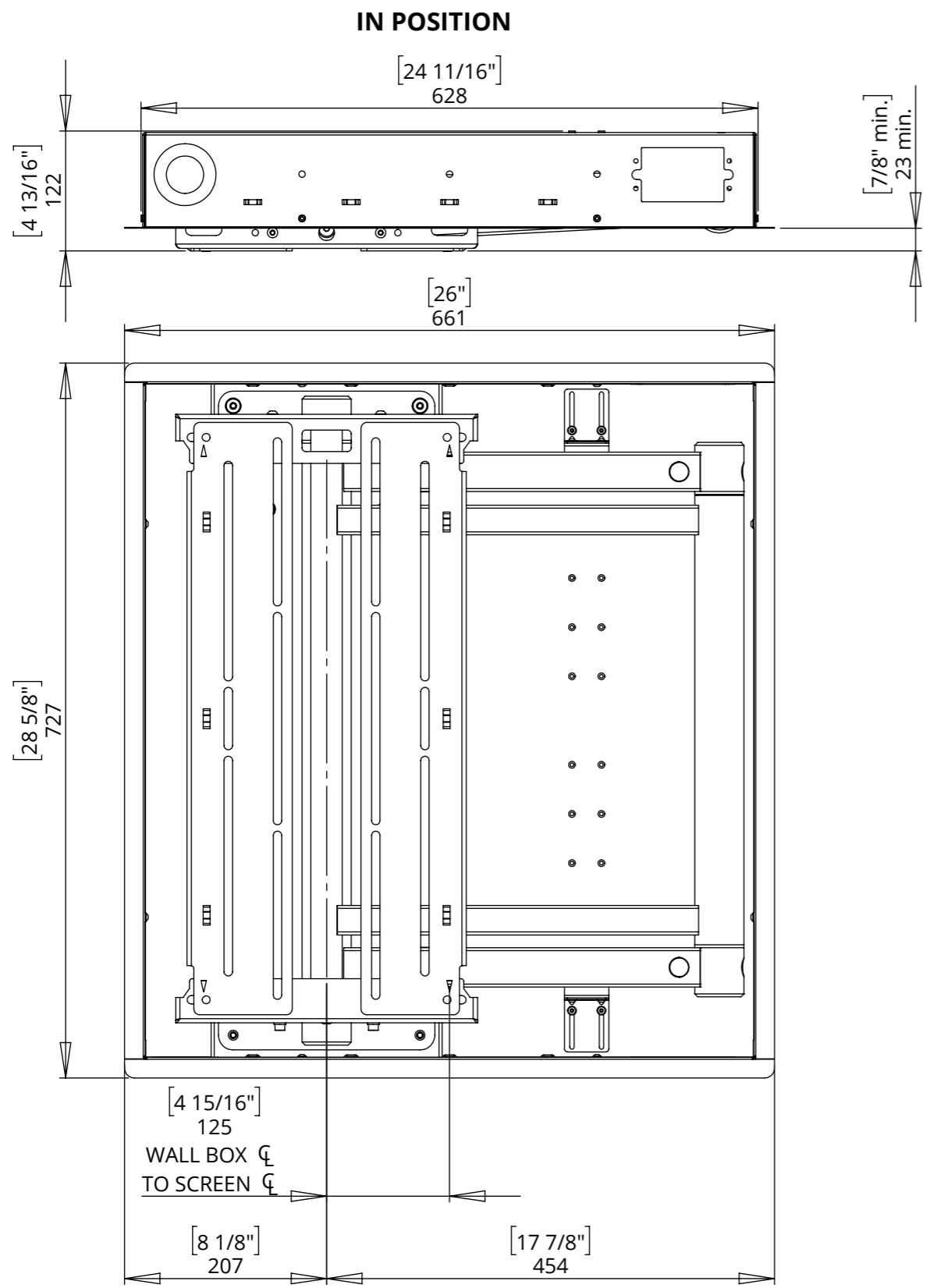
Cables can be run along the top or bottom arms as shown.
Secure the cables using cable ties and make sure to allow slack at pivot points.



WB-DA3

WALL BOX FOR DA3

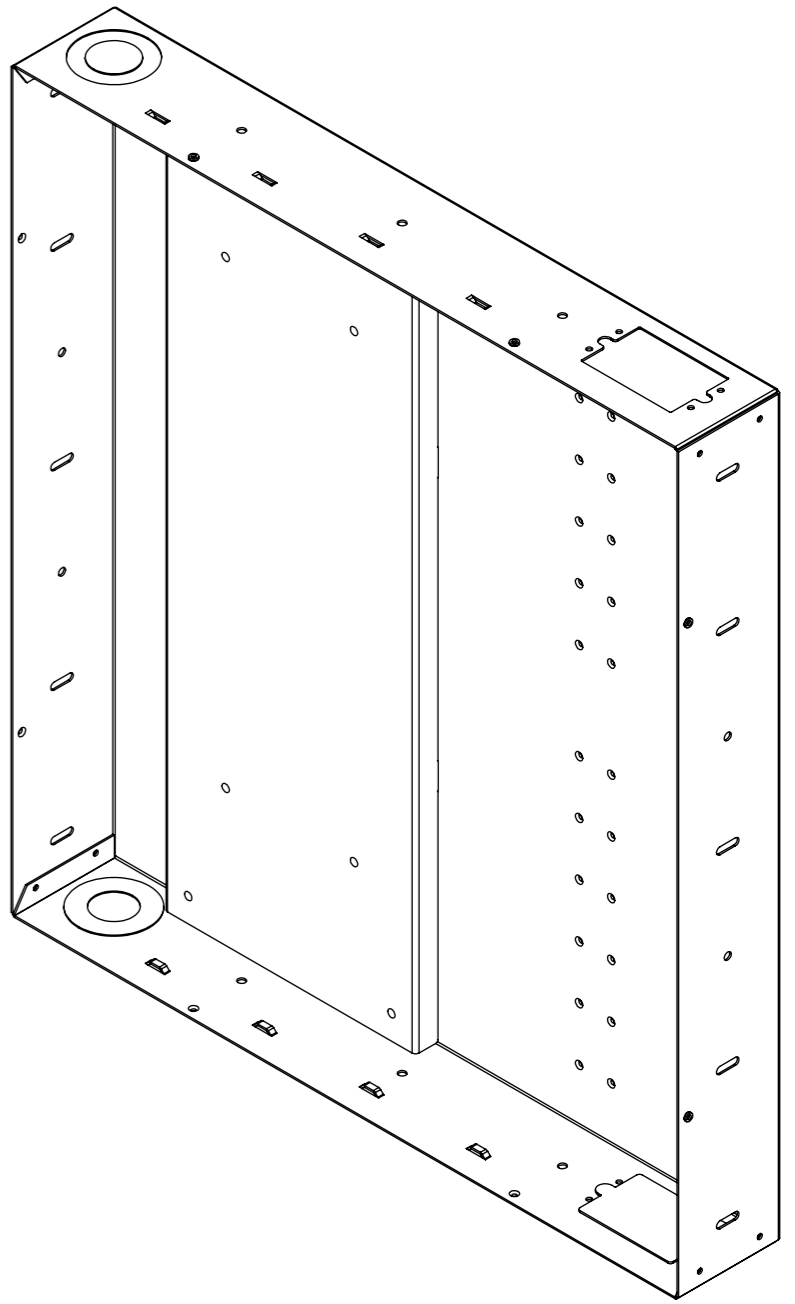
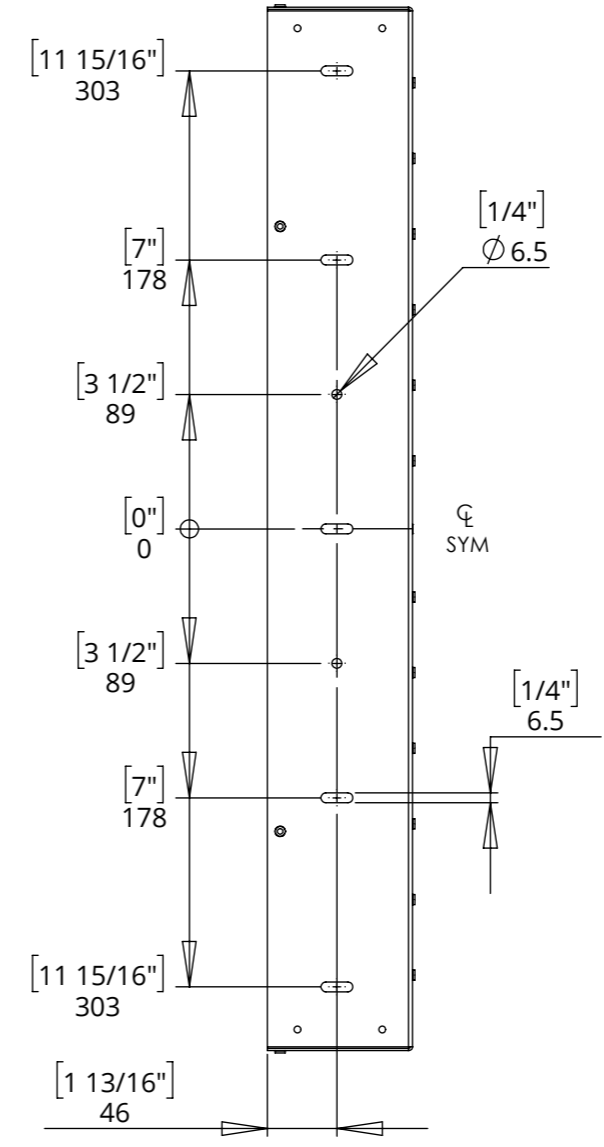
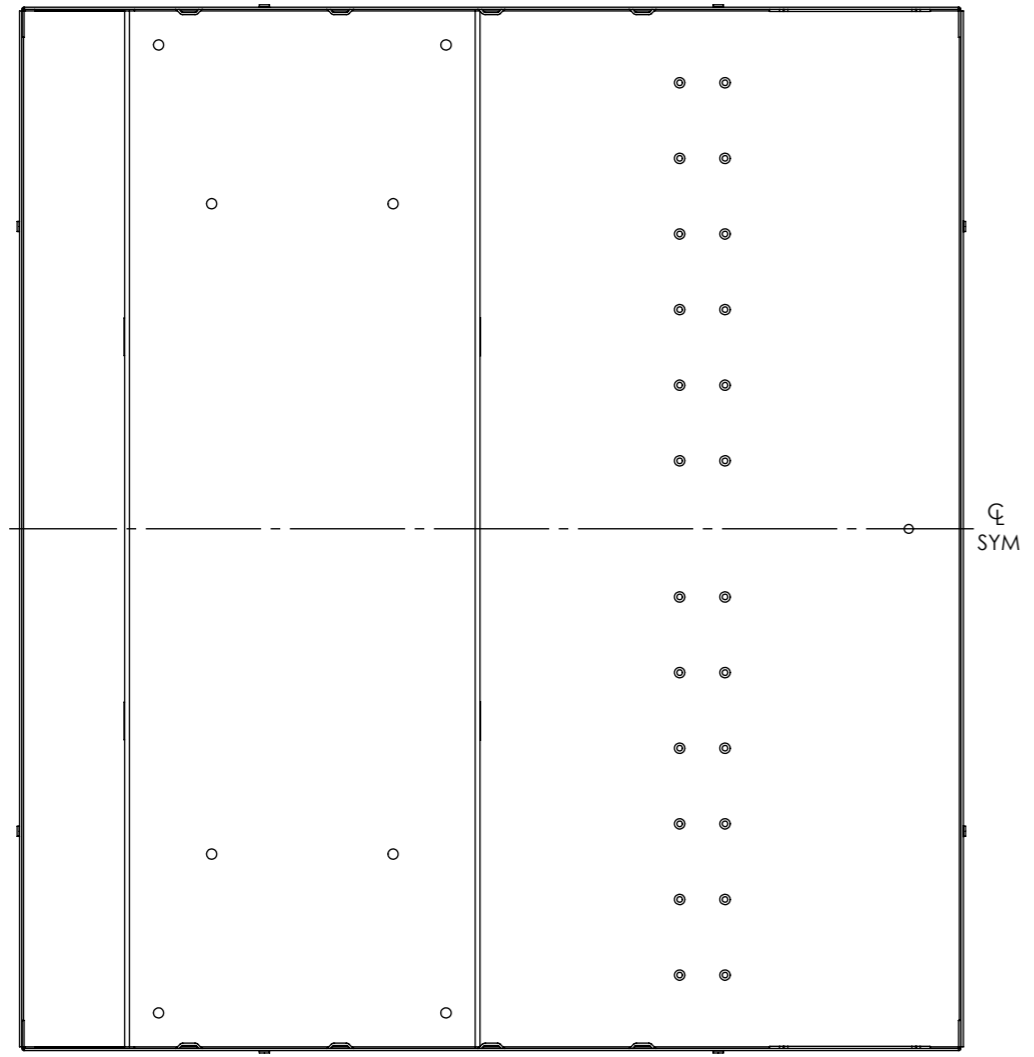
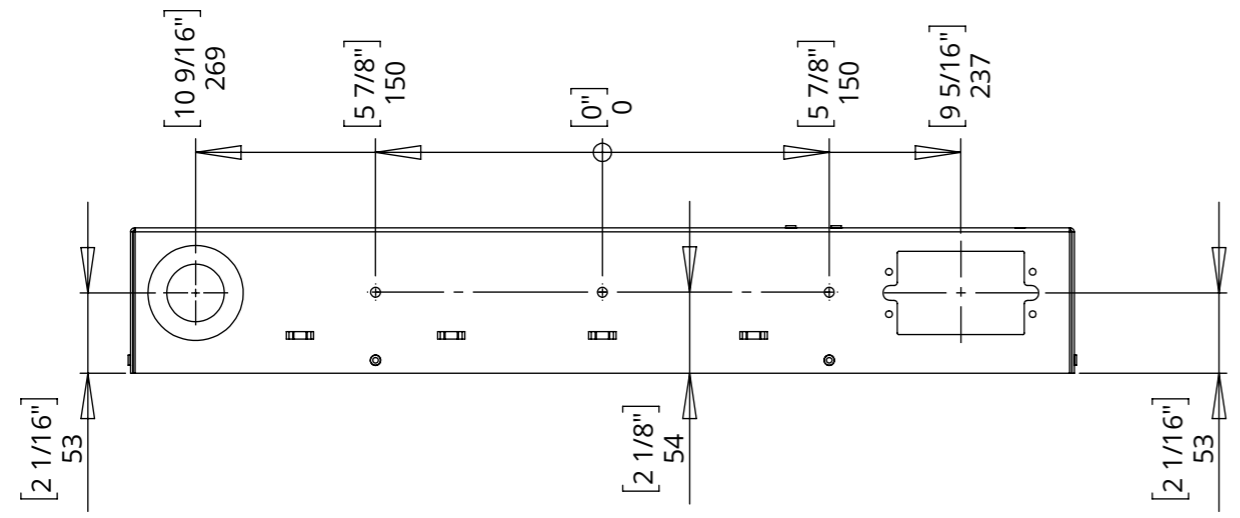
GENERAL DIMENSIONS



WB-DA3

WALL BOX FOR DA3

WALL BOX MOUNTING DIMENSIONS



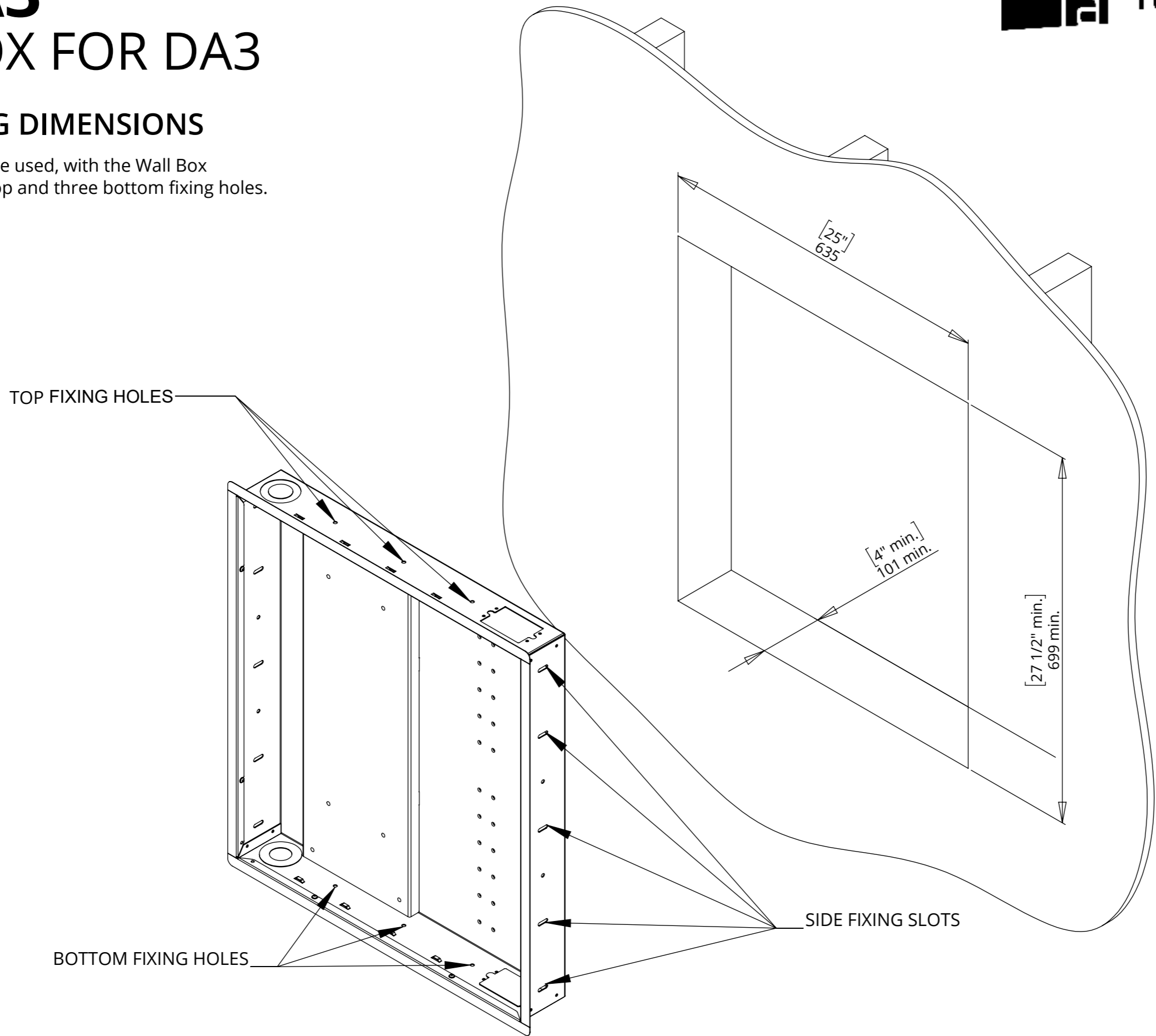
WB-DA3

WALL BOX FOR DA3



WALL FRAMING DIMENSIONS

Horizontal studs should be used, with the Wall Box fixed through the three top and three bottom fixing holes.



INSERT THE WALL BOX INTO THE VOID AS SHOWN THEN SECURE THROUGH FIXING HOLES