

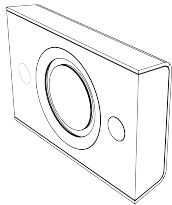
---

# Triad Passive Slim Subwoofer Installation Guide

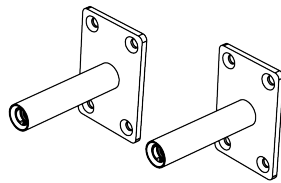
---

TS-PASSLIM

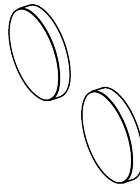
## On-Wall Passive Slim Subwoofer package contents



(1) Slim subwoofer



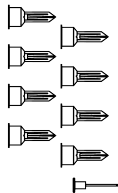
(1) Easy mount  
bracket



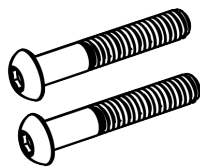
(2) Easy mount  
covers



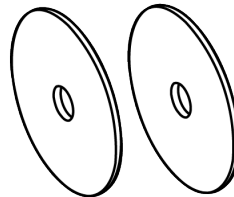
(8) Screws



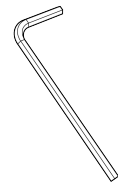
(8) Wall anchors  
with push pin



(2) Bolts

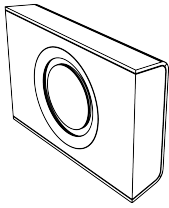


(2) Washers

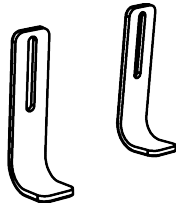


(1) Hex key

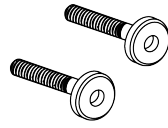
## In-Room Passive Slim Subwoofer package contents



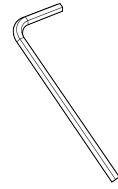
(1) Slim subwoofer



(2) Kickstands



(2) Bolts



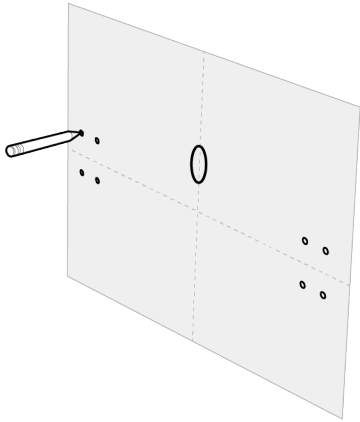
(1) Hex key

---

# On-Wall installation

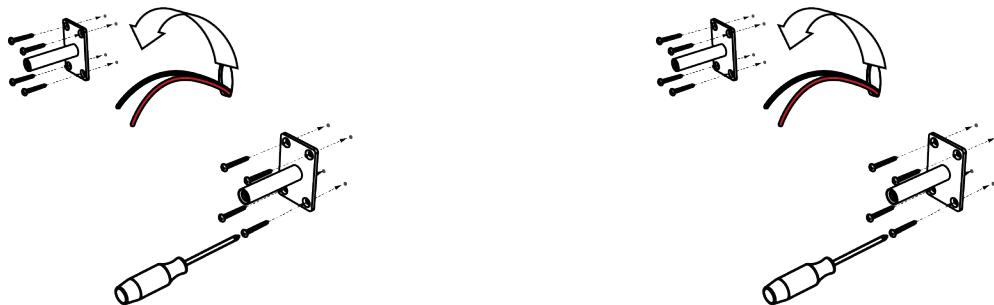
---

1. Measure, level, and mark the location of the Easy mount brackets and wire hole.  
The subwoofer can be positioned horizontally (landscape) or vertically (portrait) with Easy mount brackets at each end.

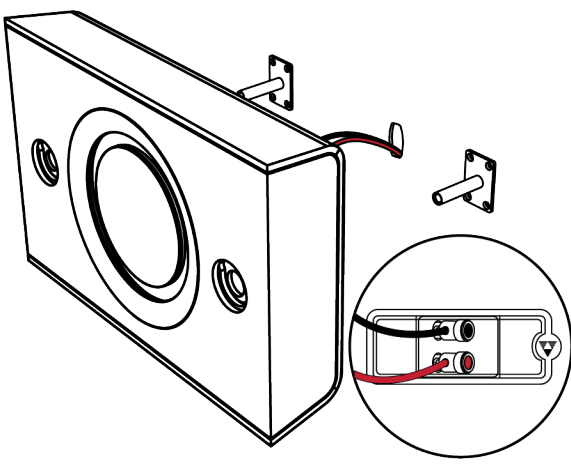


2. Cut out the wire hole and screw the posts into the wall. Preferably, in a wall stud. Use the included wall anchors if you cannot screw the Easy mount brackets into a stud. Use all four screws for each post. Verify both posts are secure and can bear weight.

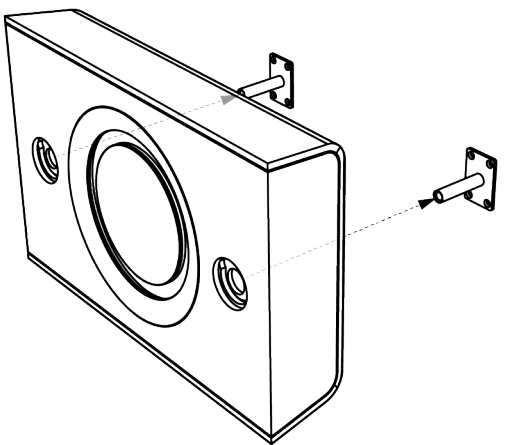
Use the included red push pin to engage the wall anchors before attaching the Easy mount brackets to the wall.



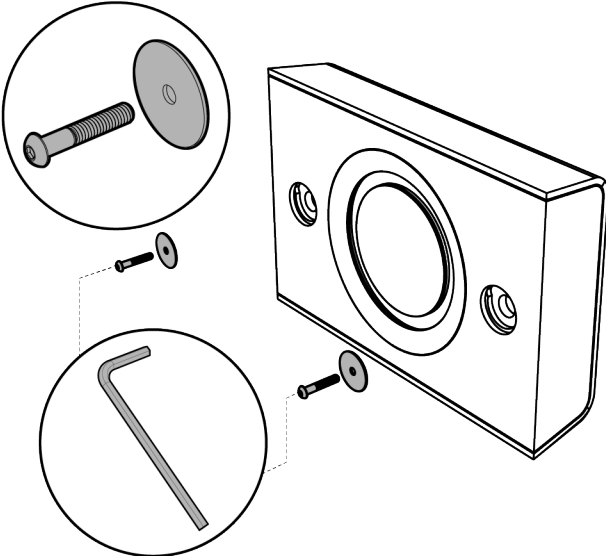
- 3. Pull the speaker wire (minimum 14 AWG) through the wire hole and securely connect the wires through the subwoofer's push-in binding posts. Be sure to preserve the correct polarity with the amp. Red to red. Black to black.



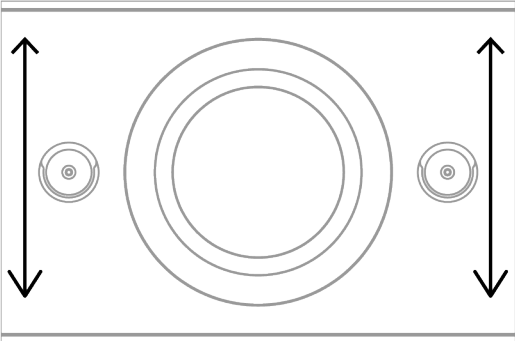
- 4. Place the subwoofer on the Easy mount brackets.



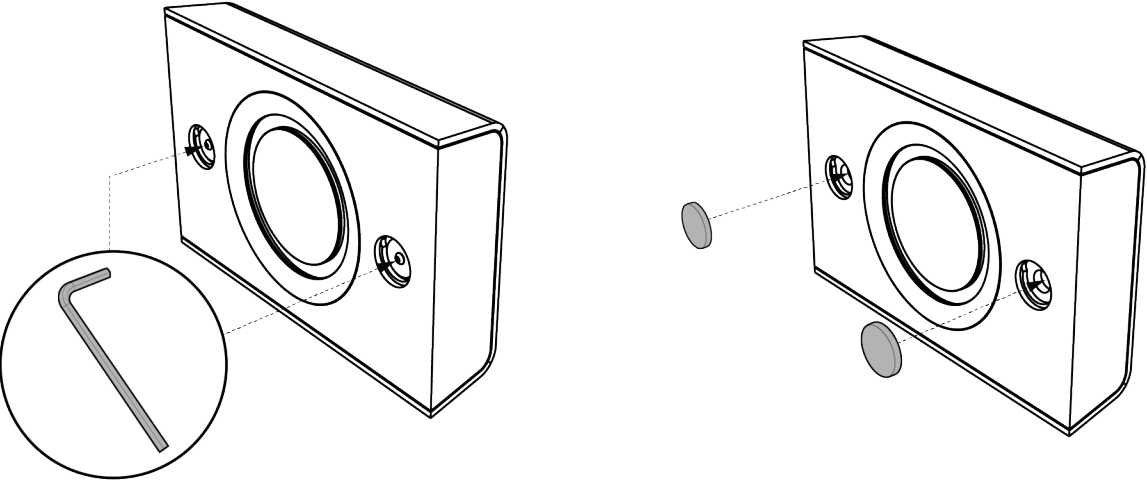
5. Insert the included washer and bolt through the subwoofer and into the Easy mount posts. Loosely secure them using the included hex key.



6. Make any adjustments for the subwoofer to be level.



7. Tighten the posts with the hex key to secure the subwoofer to the Easy mount brackets, then secure the magnetic mount covers.

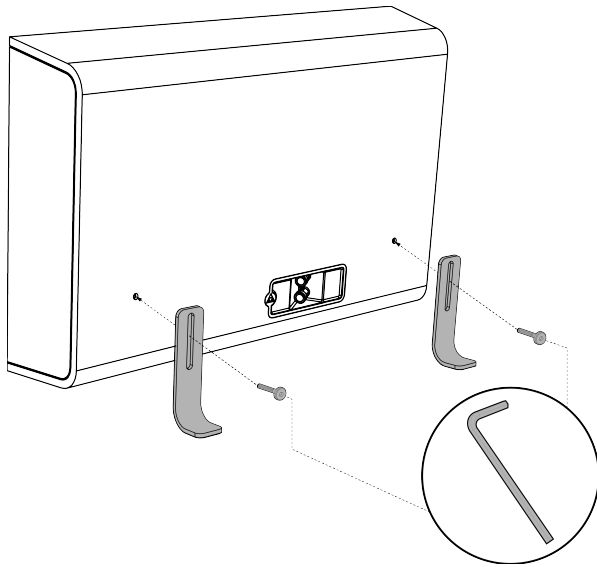


---

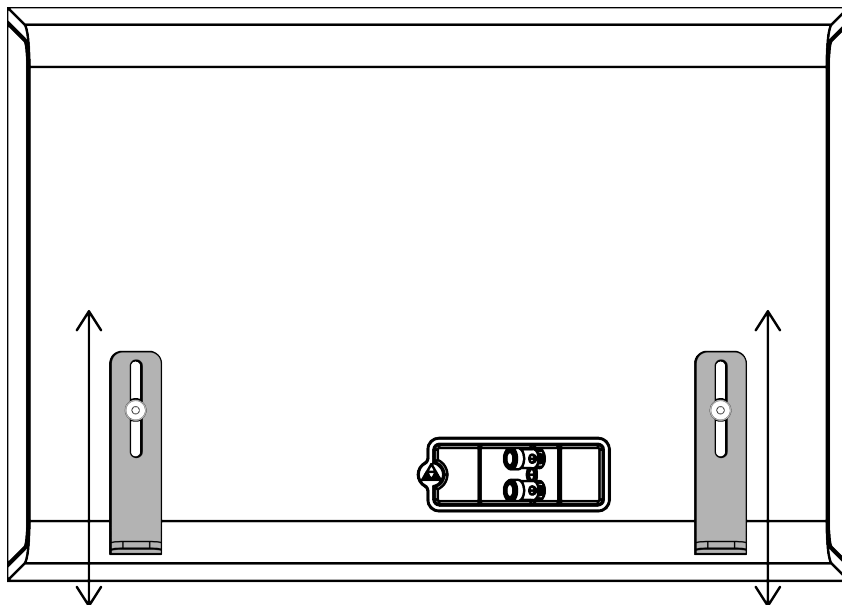
# In-Room installation

---

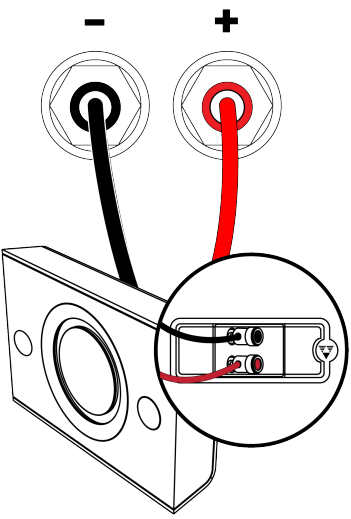
1. Align the kickstands to the mount holes on the back of the subwoofer and loosely attach them using the included bolts and hex key.



2. Place the subwoofer in the desired position, adjust the kickstands as needed, then use the hex key to secure the kickstands in place.



- 3. Connect speaker wire (minimum 14 AWG) to the subwoofer's push-in binding posts. Be sure to preserve the correct polarity with the amp. Red to red. Black to black.



# In-Room Specifications

Individual Product Specifications		TS-IR-PASSLIM8-4	TS-IR-PASSLIM8-8	TS-IR-PASSLIM10-4	TS-IR-PASSLIM10-8	TS-IR-PASSLIM12-4	TS-IR-PASSLIM12-8
<b>Dimensions (W x H x D)</b>	Inch	17" x 11.36" x 4.03" w/ Feet 5.84"	17" x 11.36" x 4.03" w/ Feet 5.84"	19.75" x 13.5" x 4.53" w/ Feet 6.34"	19.75" x 13.5" x 4.53" w/ Feet 6.34"	24" x 17" x 4.78" w/ Feet 6.59"	24" x 17" x 4.78" w/ Feet 6.59"
	mm	431.8 x 288.5 x 102.4 w/ Feet 148.2	431.8 x 288.5 x 102.4 w/ Feet 148.2	501.6 x 342.9 x 115.1 w/ Feet 160.9	501.6 x 342.9 x 115.1 w/ Feet 160.9	609.6 x 431.8 x 121.4 w/ Feet 167.3	609.6 x 431.8 x 121.4 w/ Feet 167.3
<b>Weight</b>	lbs	16	16	25	25	36	36
	Kg	7.3	7.3	11.3	11.3	16.3	16.3
<b>Woofers Count</b>		1	1	1	1	1	1
<b>Woofers Size / Material</b>		8" / Glass Fiber Damped Aluminum	8" / Glass Fiber Damped Aluminum	10" / Aluminum Faced Glass Fiber Honeycomb	10" / Aluminum Faced Glass Fiber Honeycomb	10" / Aluminum Faced Glass Fiber Honeycomb	10" / Aluminum Faced Glass Fiber Honeycomb
<b>Woofers Magnet Type</b>		Ferrite	Ferrite	Ferrite	Ferrite	Ferrite	Ferrite
<b>Voice Coil Diameter</b>	mm	40	40	50	50	75.5	75.5
<b>Enclosure Type</b>		Sealed	Sealed	Sealed	Sealed	Sealed	Sealed
<b>Connector Type</b>		Spring Terminal	Spring Terminal	Spring Terminal	Spring Terminal	Spring Terminal	Spring Terminal
<b>Power Handling (RMS)</b>	W	300	300	300	300	300	300
<b>Peak Power Handling</b>	W	600	600	600	600	600	600
<b>Sensitivity 2.83V@1m</b>	dB	86	83	92	89	95	92
<b>Nominal Impedance</b>	Ohm	4	8	4	8	4	8
<b>Min Impedance (in sealed box)</b>	Ohm	4.42	7.96	4.35	8.91	4.23	8.91
<b>Frequency Response (-3dB, ) (w/ Triad tuning)*</b>	Hz	37-300	37-300	40-300	40-300	39-300	39-300
<b>-6dB LF (w/ Triad tuning)*</b>	Hz	29	29	36	36	34	34
<b>Xmax</b>	mm	9	9.8	9	8.8	6.8	7.8

<b>Sold as</b>		Each	Each	Each	Each	Each	Each
<b>Box Dimensions</b>	Inch	24.25" x 18" x 10.125"	24.25" x 18" x 10.125"	24.25" x 18" x 10.125"	24.25" x 18" x 10.125"	28.5" x 21.5" x 10.625"	28.5" x 21.5" x 10.625"
	mm	615.95 x 457.2 x 257.2	615.95 x 457.2 x 257.2	615.95 x 457.2 x 257.2	615.95 x 457.2 x 257.2	723.9 x 546.1 x 269.9	723.9 x 546.1 x 269.9
<b>Shipping Weight</b>	lbs	21	21	32	32	43	43
	Kg	9.5	9.5	14.5	14.5	19.5	19.5

\*Triad tuning refers to the preset applied in the Triad Subwoofer RackAmp. Triad does not recommend using these subwoofers without the proper EQ preset.

# On-Wall Specifications

Individual Product Specifications		TS-OW-PASSLIM8-4	TS-OW-PASSLIM8-8	TS-OW-PASSLIM10-4	TS-OW-PASSLIM10-8	TS-OW-PASSLIM12-4	TS-OW-PASSLIM12-8
<b>Dimensions (W x H x D)</b>	Inch	17" x 11.36" x 4.03"	17" x 11.36" x 4.03"	19.75" x 13.5" x 4.53"	19.75" x 13.5" x 4.53"	24" x 17" x 4.78"	24" x 17" x 4.78"
	mm	431.8 x 288.5 x 102.4	431.8 x 288.5 x 102.4	501.6 x 342.9 x 115.1	501.6 x 342.9 x 115.1	609.6 x 431.8 x 121.4	609.6 x 431.8 x 121.4
<b>Weight</b>	lbs	16	16	25	25	36	36
	Kg	7.3	7.3	11.3	11.3	16.3	16.3
<b>Woofers Count</b>		1	1	1	1	1	1
<b>Woofers Size / Material</b>		8" / Glass Fiber Damped Aluminum	8" / Glass Fiber Damped Aluminum	10" / Aluminum Faced Glass Fiber Honeycomb	10" / Aluminum Faced Glass Fiber Honeycomb	10" / Aluminum Faced Glass Fiber Honeycomb	10" / Aluminum Faced Glass Fiber Honeycomb
<b>Woofers Magnet Type</b>		Ferrite	Ferrite	Ferrite	Ferrite	Ferrite	Ferrite
<b>Voice Coil Diameter</b>	mm	40	40	50	50	75.5	75.5
<b>Enclosure Type</b>		Sealed	Sealed	Sealed	Sealed	Sealed	Sealed
<b>Connector Type</b>		Spring Terminal	Spring Terminal	Spring Terminal	Spring Terminal	Spring Terminal	Spring Terminal
<b>Power Handling (RMS)</b>	W	300	300	300	300	300	300
<b>Peak Power Handling</b>	W	600	600	600	600	600	600
<b>Sensitivity 2.83V@1m</b>	dB	92	89	98	95	101	98
<b>Nominal Impedance</b>	Ohm	4	8	4	8	4	8
<b>Min Impedance (in sealed box)</b>	Ohm	4.42	7.96	4.35	8.91	4.23	8.91
<b>Frequency Response (-3dB) (w/ Triad tuning)*</b>	Hz	37-300	37-300	40-300	40-300	39-300	39-300

<b>-6dB LF (w/ Triad tuning)*</b>	Hz	29	29	36	36	34	34
<b>Xmax</b>	mm	9	9.8	9	8.8	6.8	7.8
<b>Sold as</b>		Each	Each	Each	Each	Each	Each
<b>Box Dimensions</b>	Inch	24.25" x 18" x 10.125"	24.25" x 18" x 10.125"	24.25" x 18" x 10.125"	24.25" x 18" x 10.125"	28.5" x 21.5" x 10.625"	28.5" x 21.5" x 10.625"
	mm	615.95 x 457.2 x 257.2	615.95 x 457.2 x 257.2	615.95 x 457.2 x 257.2	615.95 x 457.2 x 257.2	723.9 x 546.1 x 269.9	723.9 x 546.1 x 269.9
<b>Shipping Weight</b>	lbs	21	21	32	32	43	43
	Kg	9.5	9.5	14.5	14.5	19.5	19.5

\*Triad tuning refers to the preset applied in the Triad Subwoofer RackAmp. Triad does not recommend using these subwoofers without the proper EQ preset.

## Technical Support

For chat and telephone, visit [snpl.co/techsupport](https://snpl.co/techsupport) • Email:

[TechSupport@SnapOne.com](mailto:TechSupport@SnapOne.com). Visit [snpl.co/tc](https://snpl.co/tc) for discussions, instructional videos, news, and more.

## Warranty and Legal Notices

Find details of the product's Limited Warranty and other resources such as regulatory notices and patent and safety information, at [snapone.com/legal](https://snapone.com/legal) or request a paper copy from Customer Service at **866.424.4489**.

Copyright©2025, Snap One, LLC. All rights reserved. Snap One and its respective logos are registered trademarks or trademarks of Snap One, LLC (formerly known as Wirepath Home Systems, LLC), in the United States and/or other countries. 4Store, 4Sight, Control4, Control4 My Home, SnapAV, Araknis Networks, BakPak, Binary, Dragonfly, Episode, Luma, Mockupancy, Nearus, NEEO, Optiview, OvrC, Pakedge, Sense, Strong, Strong Evolve, Strong VersaBox, SunBriteDS, SunBriteTV, Triad, Truvision, Visualint, WattBox, Wirepath, and Wirepath ONE are also registered trademarks or trademarks of Snap One, LLC. Other names and brands may be claimed as the property of their respective owners. Snap One makes no claim that the information contained herein covers all installation scenarios and contingencies, or product use risks. Information within this specification subject to change without notice.

250528

200-0025-A